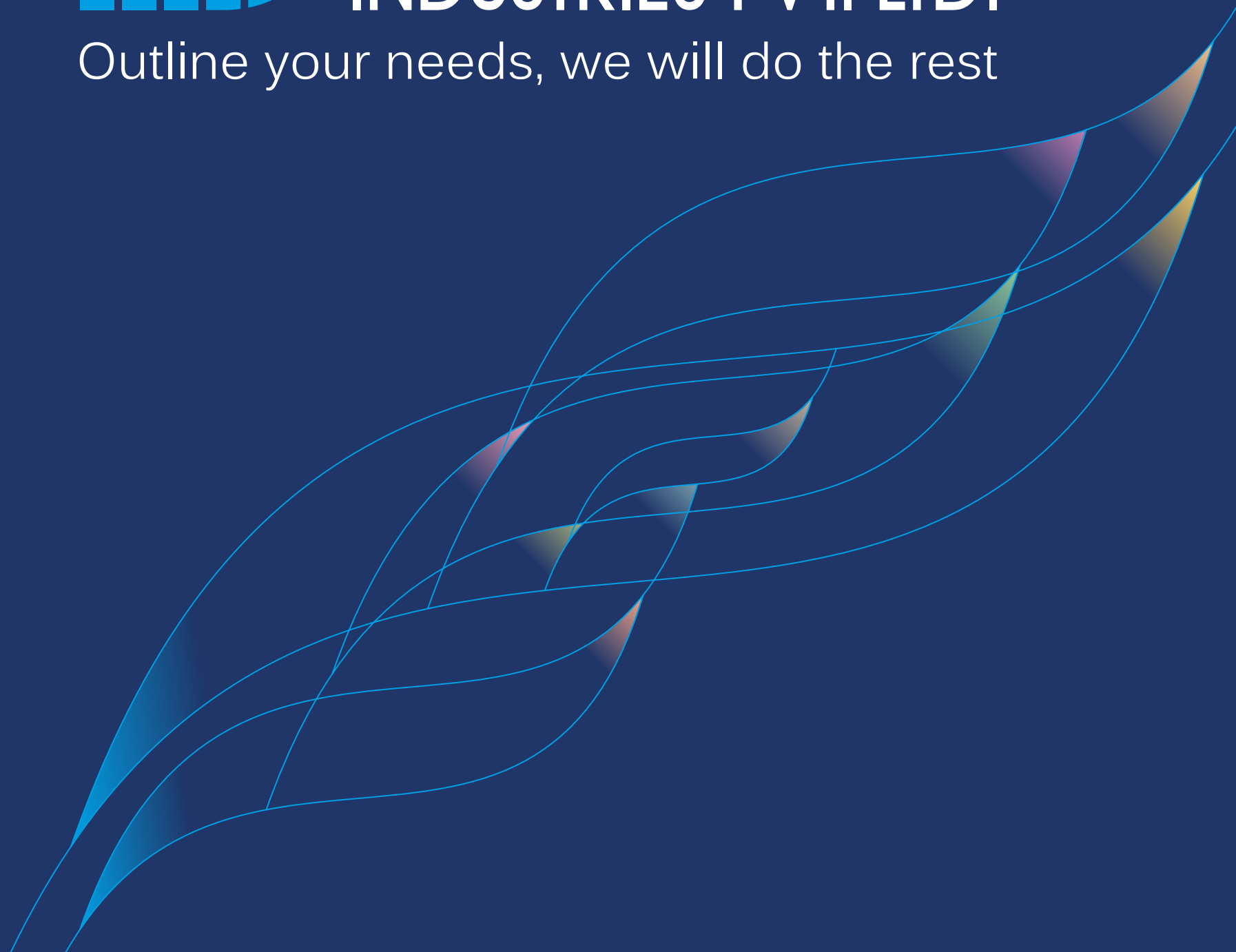




Outline your needs, we will do the rest





01. Swing Handle System- Flat Rods .....	418	27. 3 Point Lock System Round Rods .....	480
02. Mounting Plate .....	422	28. Pad Lock 'L' Handle .....	483
03. Twisted Rod Lock Assembly .....	430	29. Swing Handle-D14 .....	484
04. Multiple Pin Lock System .....	432	30. Swing Handle-D15 .....	485
05. Swing Handle .....	434	31. Swing Handle-D40 .....	486
06. Push To Lock .....	435	32. Pad Lock Handle-DM17 .....	487
07. Mounting Plate with Slider-D19LG .....	436	33. Swing Handle-D18 .....	488
08. Swing Handle-D21SL .....	437	34. Swing Handle-D21 .....	489
09. Swing Handle-DM24 .....	440	35. Pad Lock Handle-DM25 .....	490
10. Double Door System .....	442	36. Swing Handle-DM27 .....	491
11. Double Door Accessories .....	444	37. Swing Handle-D39 .....	492
12. Pad Lock Handle .....	447	38. Swing Handle-DM47 .....	493
13. Point Lock-DM26R .....	448	39. Swing Handle-DM48 .....	494
14. Swing Handle-DM27 .....	449	40. Rack & Pinion-DMRPU .....	495
15. Swing Handle-DM47 .....	450	41. Rack & Pinion-DMHRPU .....	498
16. Swing Handle-DM48 .....	451	42. Round Rod .....	500
17. Symmetrical Compact Lock .....	452	43. Cams .....	509
18. Symmetrical Compact Lock Accessories .....	453	44. Furniture Lock .....	512
19. Symmetrical Pad Lock-DM36L .....	455	45. Flushed 'T' Handle Lock .....	516
20. Slam Accessories .....	456	46. 'T' Handle Compression Lock .....	518
21. 2 Way Slam Lock .....	457	47. Latch Lock .....	519
22. Rack & Pinion .....	458	48. Slam Pad Lock .....	522
23. 3 Point Lock Accessories .....	463	49. Slam Lock .....	525
24. Flat Rod .....	466	50. 2 Point Canopy Slam Lock .....	533
25. Accessories .....	475	51. 3 Point Canopy Slam Lock .....	534
26. Swing Handles System- Round Rod .....	478	52. Canopy Lock Accessories .....	536



Swing Handles System - Flat Rod

page C 418-421



Mounting Plate

page C 422-429



Twisted Rod Lock Assembly

page C 430-431



Multiple Pin Lock System

page C 432-433



Swing Handle

page C 434



Swing Handle-D21SL

page C 437-439



Double Door Accessories

page C 444-446



Push To Lock

page C 435



Swing Handle-DM24

page C 440-441



Pad Lock Handle

page C 447



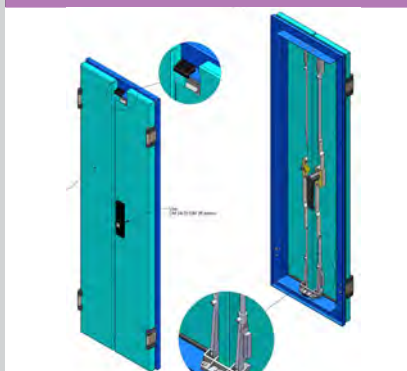
Mounting Plate with Slider-D19LG

page C 436



Double Door System

page C 442-443






**Point Lock-DM26R** page C 448



**Swing Handle-DM48** page C 451



**Symmetrical Pad Lock-DM36L** page C 455




**Swing Handle-DM27** page C 449



**Symmetrical Compact Lock** page C 452




**Slam Accessories** page C 456



**Swing Handle-DM47** page C 450



**Symmetrical Compact Lock Accessories** page C 453-454




**2 Way Slam Lock** page C 457



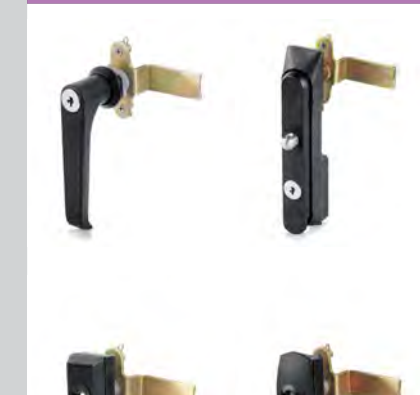
**Rack & Pinion** page C 458-462




**Accessories** page C 475-477




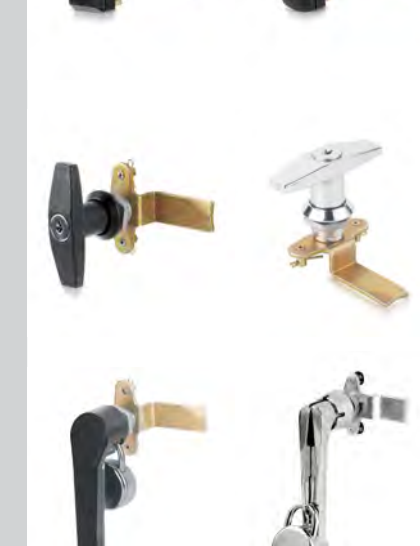
**3 Point Lock System Round Rods** page C 480-482



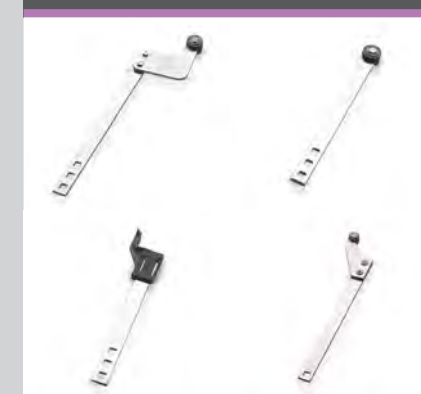
**3 Point Lock Accessories** page C 463-465




**Swing Handles System - Round Rod** page C 478-479


**Flat Rod** page C 466-474








**Pad Lock 'L' Handle**  
page C 483




**Swing Handle-D40**  
page C 486




**Swing Handle-D21**  
page C 489




**Swing Handle-D14**  
page C 484




**Pad Lock Handle-DM17**  
page C 487




**Pad Lock Handle-DM25**  
page C 490




**Swing Handle-D15**  
page C 485




**Swing Handle-D18**  
page C 488




**Swing Handle-DM27**  
page C 491




**Swing Handle-D39**  
page C 492




**Swing Handle-DM47**  
page C 493




**Swing Handle-DM48**  
page C 494




**Rack & Pinion - DMRPU**  
page C 495-497



**Rack & Pinion - DMHRPU**  
page C 498-499



**Round Rod**  
page C 500-508



**Cams**  
page C 509-511



**Furniture Lock**  
page C 512-515





Flushed 'T' Handle Lock

page  
C 516-517



'T' Handle  
Compression Lock

page  
C 518



Latch Lock

page  
C 519-521



Slam Pad Lock

page  
C 522-524



Slam Lock

page  
C 525-532



2 Point Canopy Slam Lock

page  
C 533



3 Point Canopy Slam Lock

page  
C 534-535



Canopy Lock Accessories

page  
C 536-537





## Three Point Locks

### Swing Handle System - Flat Rods



D3SP



D3SSLG



D3SP-L



D3SML-CH



D3SHL



D3SL-CY1



D3SHL-CY2



D3SML-CY2T



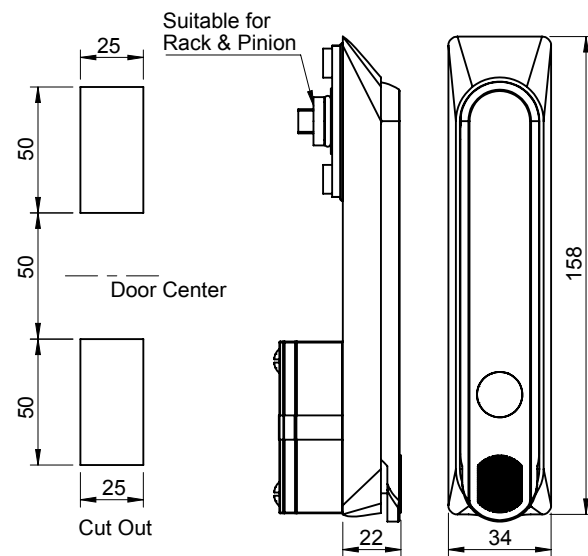
D3C5



D3SL



D3SLG



Product Code	Material	Type	Key
D3SP	Polyamide	With Plug	-
D3SSLG	Polyamide	With Shutter & Acrylic Branding Plate	D-1333
D3SP-L	Polyamide	With Pad Lock	-
D3SML-CH	Polyamide & Zinc	Die Cast Handle	D-1333
D3SHL	Polyamide	With Shroud	D-1333
D3SL-CY1	Polyamide	With Profile Cylinder	D-1333
D3SHL-CY2	Polyamide	With Profile Cylinder & With Insert	DB5K
D3SML-CY2T	Polyamide & Zinc	With Profile Cylinder & With 'T' Insert	DBTK
D3C5	Polyamide	With Insert	DB5K
D3SL	Polyamide	With Key	D-1333
D3SLG	Polyamide	With Acrylic Branding Plate	D-1333

## Three Point Locks

### Swing Handle System - Flat Rods

DMLK6  
Regular BarrelDMLK6  
Combination BarrelDMLK6  
Shutter Barrel

Product Code	Material	Finish	Type	Description
DMLK6 Regular Barrel	Zinc	CH	Regular	Standard Key Lock
DMLK6 Combination Barrel	Zinc	CH	Combination	For Combination Lock Number will be Marked on the Barrel & Key
DMLK6 Shutter Barrel	Zinc		Shutter	Add SS for Shutter SS Version to be ordered separately. Applicable for Key D-1333 Series.



CY1



CY2

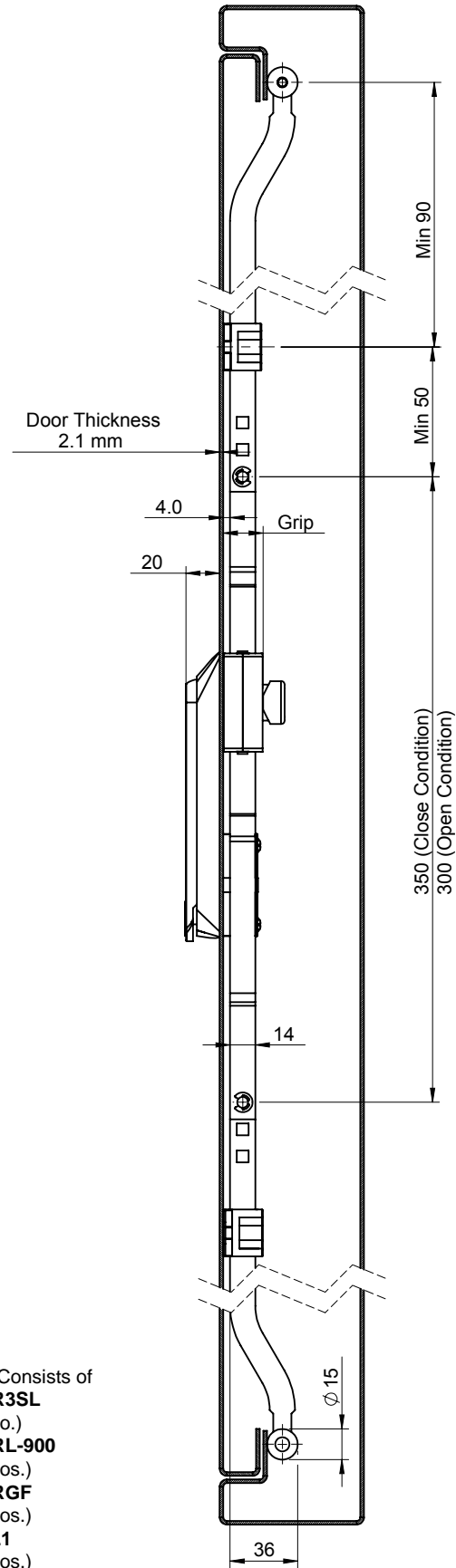
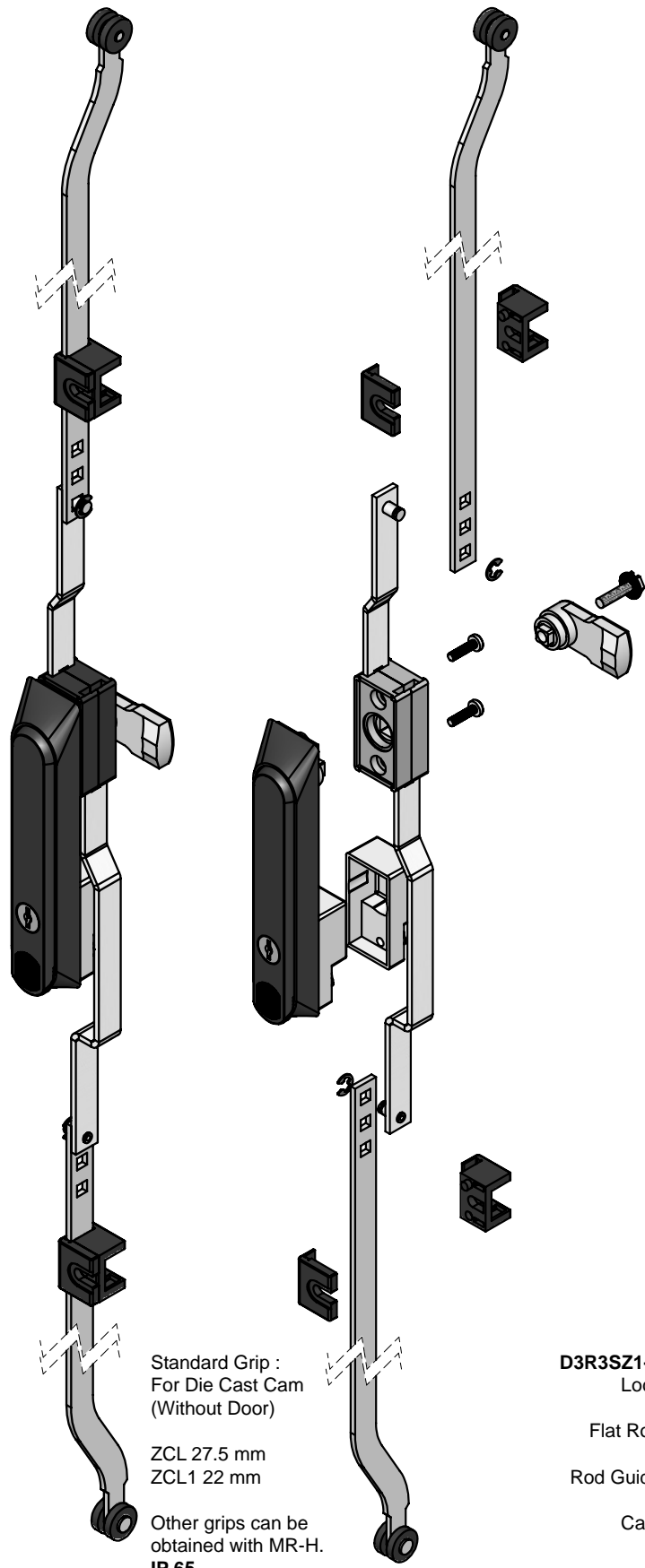


CY2T

Product Code	Material	Finish	Key
CY1	Zinc	CH	D-1333
CY2	Zinc	CH	DB5K
CY2T	Zinc	CH	DBTK



### Three Point Locks Swing Handle System - Flat Rods



Product Code	Material	Key
D3R3SZ1-L9	Polyamide	D-1333

### Three Point Locks Swing Handle System - Flat Rods



D3R3SHL

D3R3CY1

D3RR3SLG-MR4



D3RR3SL-L-MR7

D3R3SL-MR32

D3R3C5-MR

### Three Point Locks

#### Mounting Plate



D1M



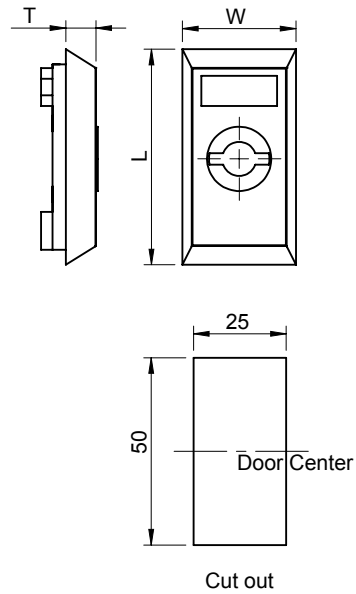
D1P



D1R1K-Z



D1M-QBC-CH



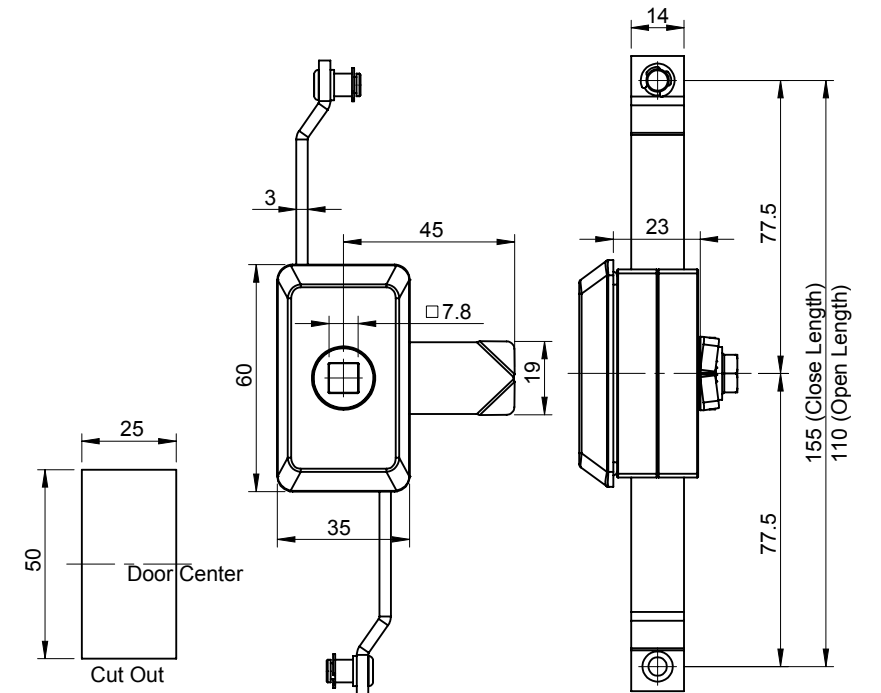
Product Code	Material	Description	Plate Size (L x W x T)
D1M	Zinc	Mounting Plate	58 x 32 x 8.0
D1P	Polyamide	Mounting Plate	56.5 x 30 x 8.0
D1R1K-Z	Polyamide & Zinc	Mounting Plate	-
D1M-QBC-CH	Polyamide & Zinc	Mounting Plate	-

### Three Point Locks

#### Mounting Plate



2020

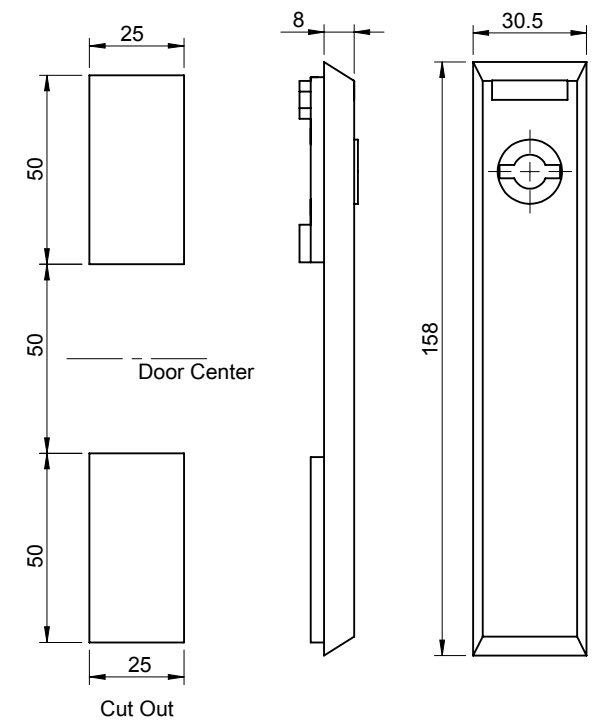


Product Code	Material	Finish	Description
D1MR5KSS-SQ-SR	SS304	Electro Polishing	Mounting Plate
D1MR5KSS-5-SR	SS304	Electro Polishing	Mounting Plate



D2P

D2QBC



Product Code	Material	Description
D2P	Polyamide	Mounting Plate
D2QBC	Polyamide & Zinc	Mounting Plate

## Three Point Locks

## Mounting Plate



D6P



D6MP



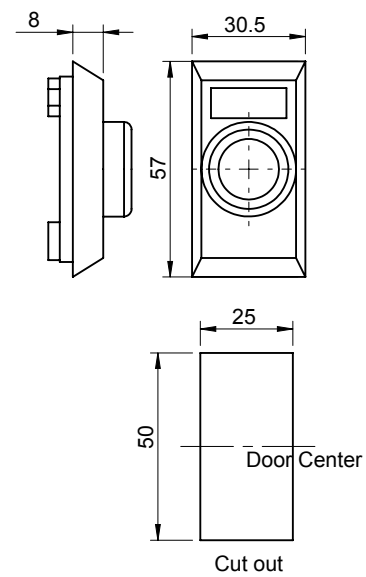
D6R1L1-Z



D6R1TM7P-Z1-CH



D6R5WLM-Z



Product Code	Material	Description
D6P	Polyamide	Mounting Plate
D6MP	Polyamide & Zinc	Mounting Plate
D6R1L1-Z	Polyamide & Zinc	Mounting Plate
D6R1TM7P-Z1-CH	Polyamide & Zinc	Mounting Plate
D6R5WLM-Z	Polyamide & Zinc	Mounting Plate

## Three Point Locks

## Mounting Plate



D7P



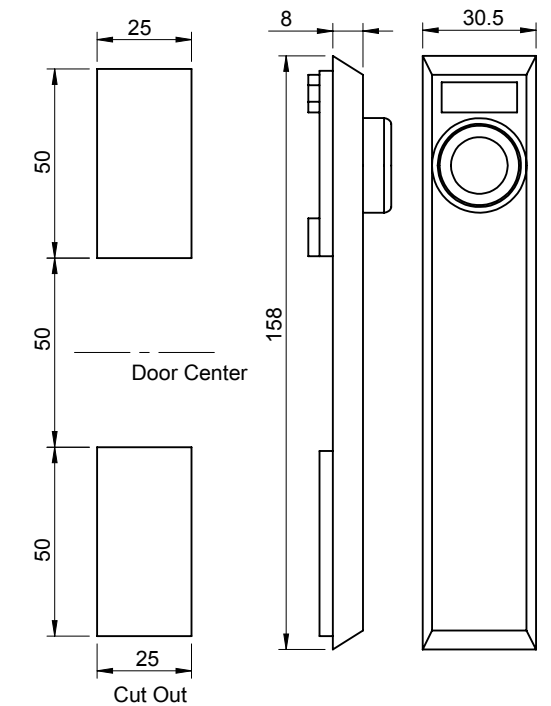
D7R3WL2-Z1



D7R3TM7-Z-CH



D7R3L1MP-Z-CH



Product Code	Material	Description
D7P	Polyamide	Mounting Plate
D7R3WL2-Z1	Polyamide & Zinc	Mounting Plate
D7R3TM7-Z-CH	Polyamide & Zinc	Mounting Plate
D7R3L1MP-Z-CH	Polyamide & Zinc	Mounting Plate

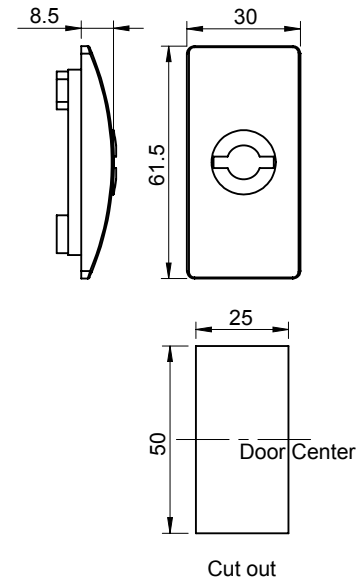


## Three Point Locks

## Mounting Plate



D11P



DB5

DMCL-5



Product Code	Material	Description
D11P	Polyamide	Mounting Plate

## Three Point Locks

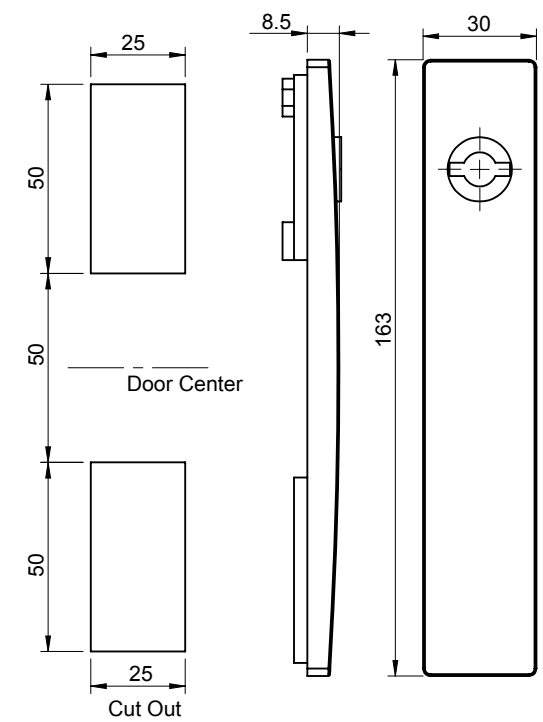
## Mounting Plate



D12P



D12R3K-Z



Product Code	Material	Description
D12P	Polyamide	Mounting Plate
D12R3K-Z	Polyamide & Zinc	Mounting Plate

## Three Point Locks

## Mounting Plate



D16P



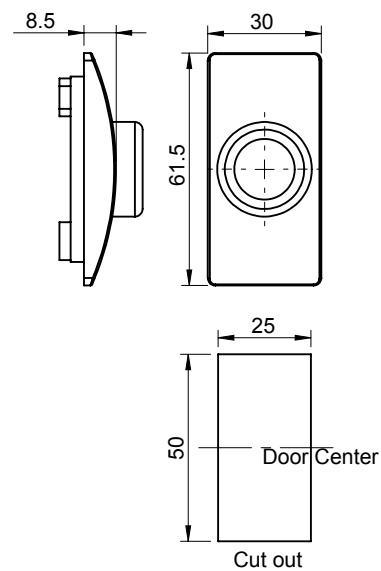
D16R1L1P-MR



D16R1WLMP-Z



D16R1TM7-Z-CH



Product Code	Material	Description
D16P	Polyamide	Mounting Plate
D16R1L1P-MR	Polyamide & Zinc	Mounting Plate
D16R1WLMP-Z	Polyamide & Zinc	Mounting Plate
D16R1TM7-Z-CH	Polyamide & Zinc	Mounting Plate

## Three Point Locks

## Mounting Plate



D17P



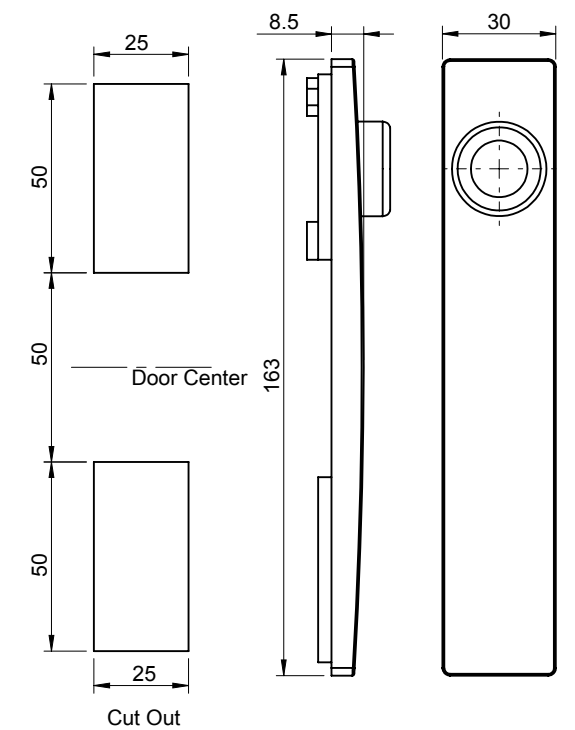
D17R3L1MP-Z-PC



D17R3T7-MR10-PC

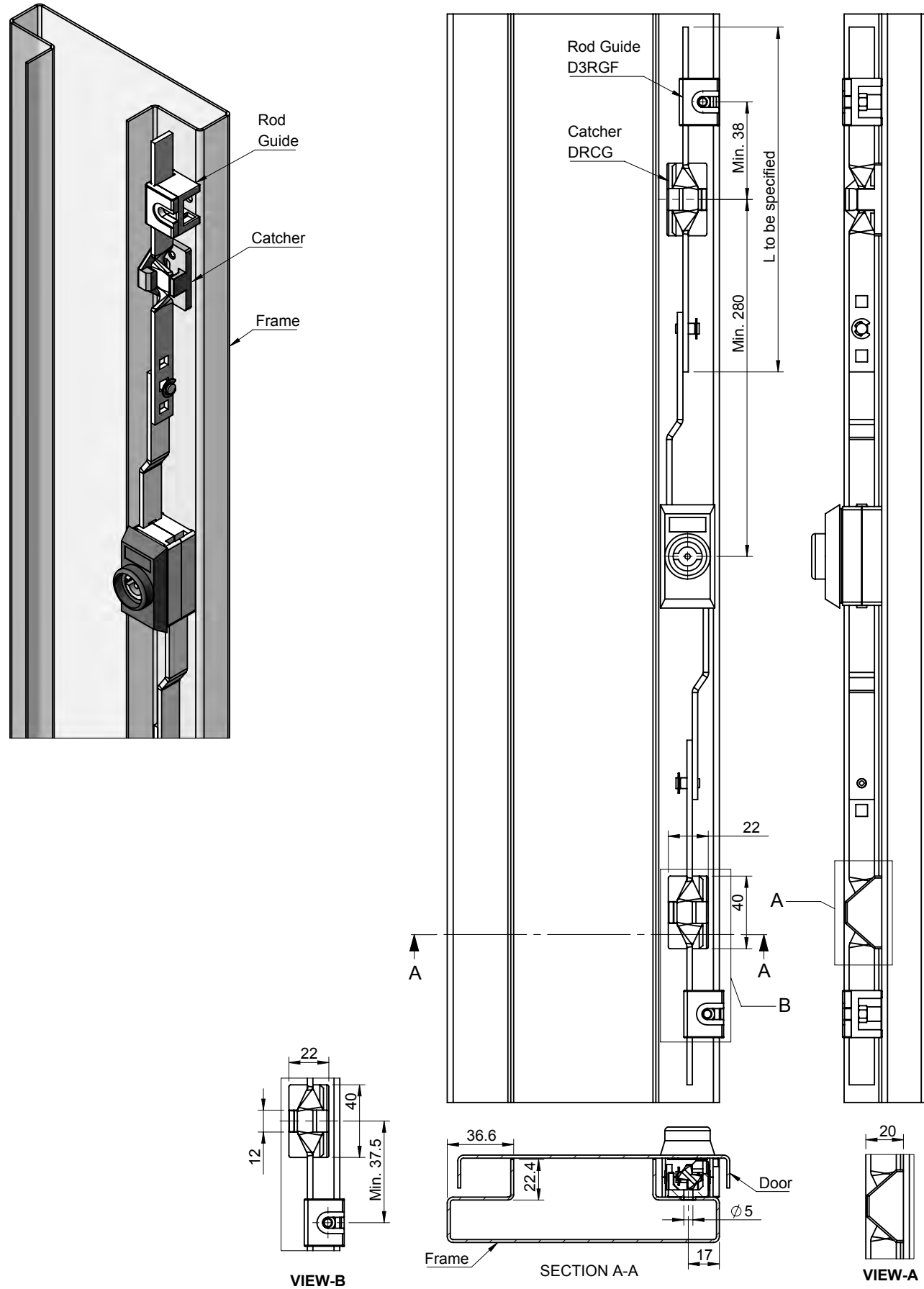


D17R3WML2P-Z-CH



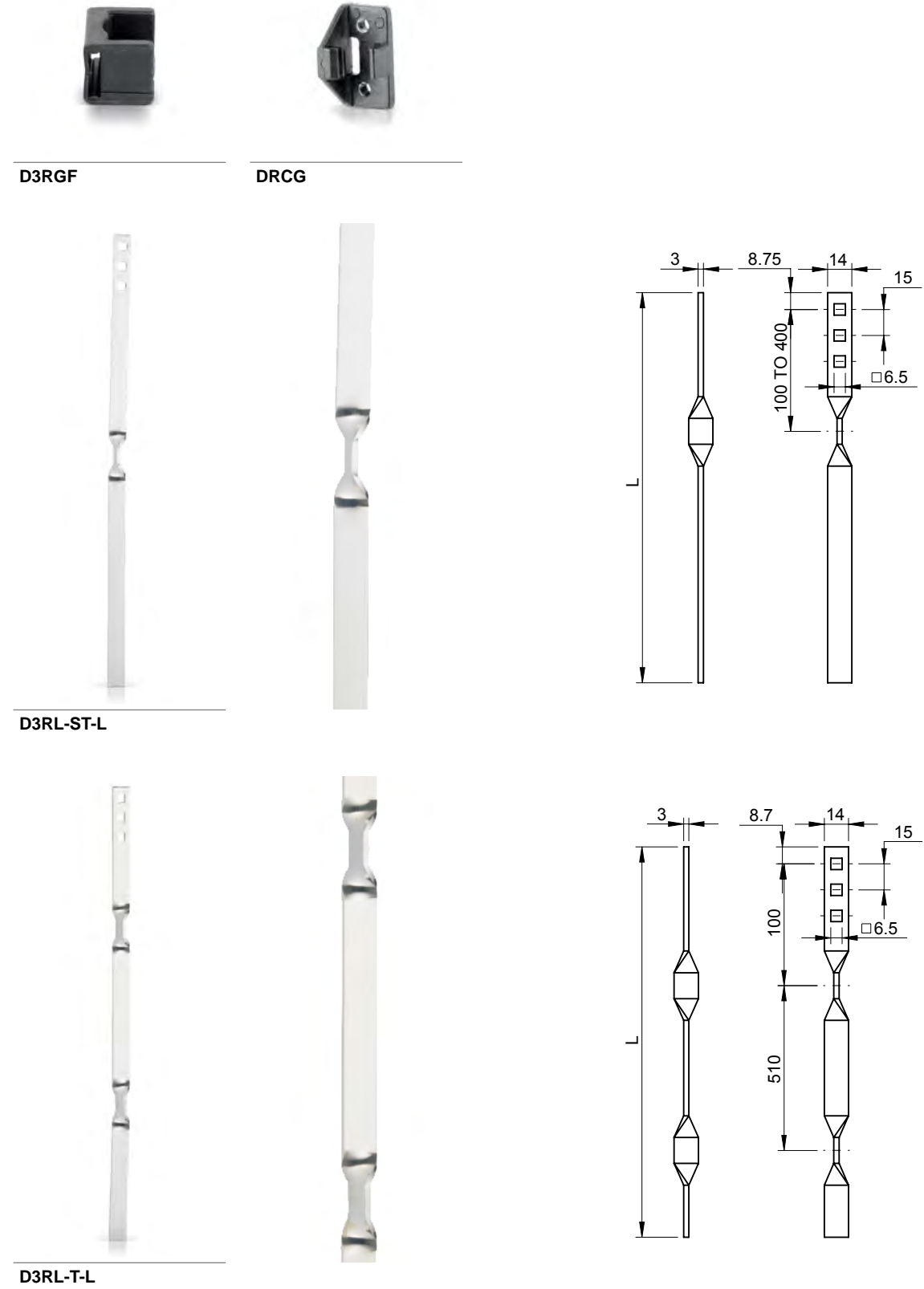
Product Code	Material	Description
D17P	Polyamide	Mounting Plate
D17R3L1MP-Z-PC	Polyamide & Zinc	Mounting Plate
D17R3T7-MR10-PC	Polyamide & Zinc	Mounting Plate
D17R3WML2P-Z-CH	Polyamide & Zinc	Mounting Plate

### Three Point Locks Twisted Rod Lock Assembly



Application View  
**D6R5K-L**

### Three Point Locks Twisted Rod Lock Assembly

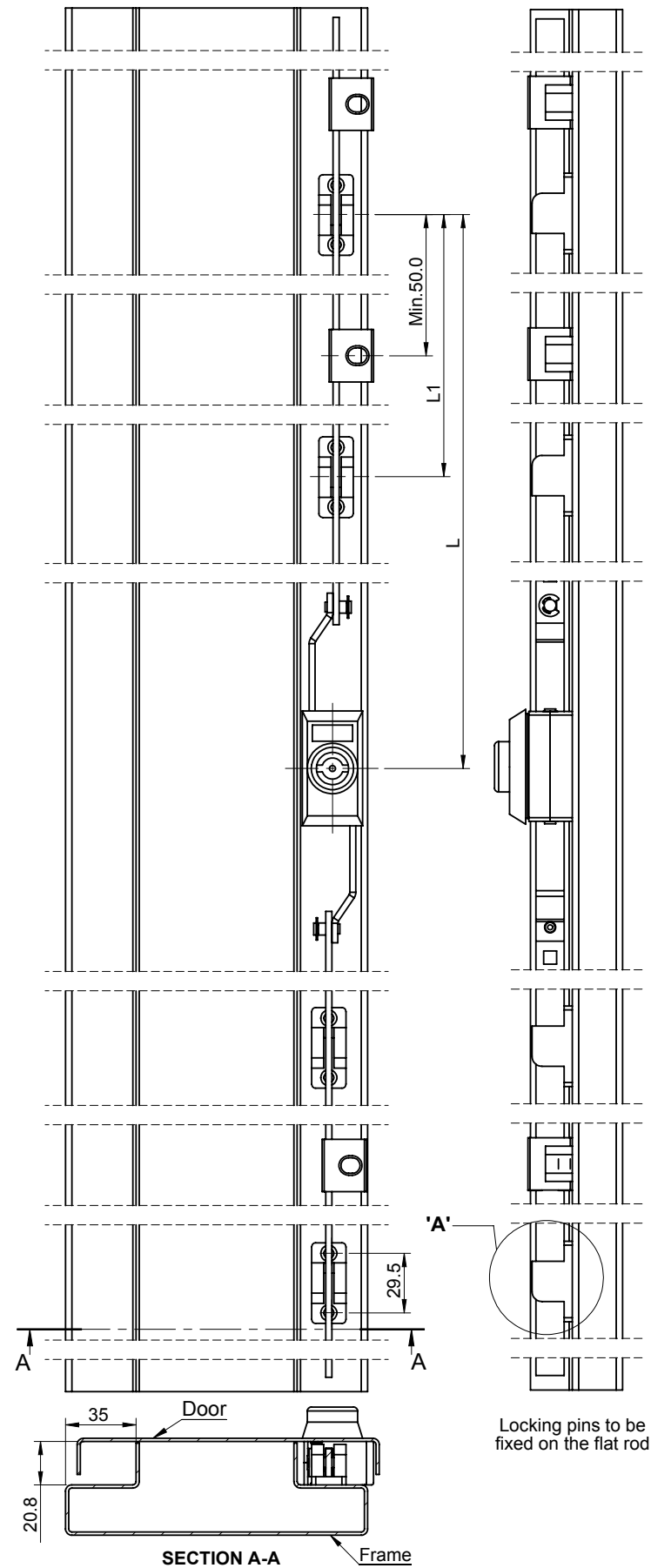
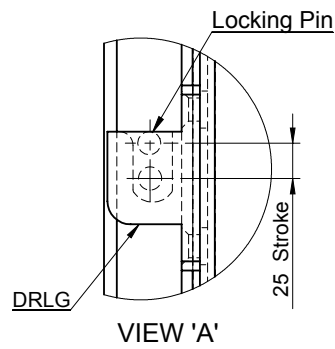
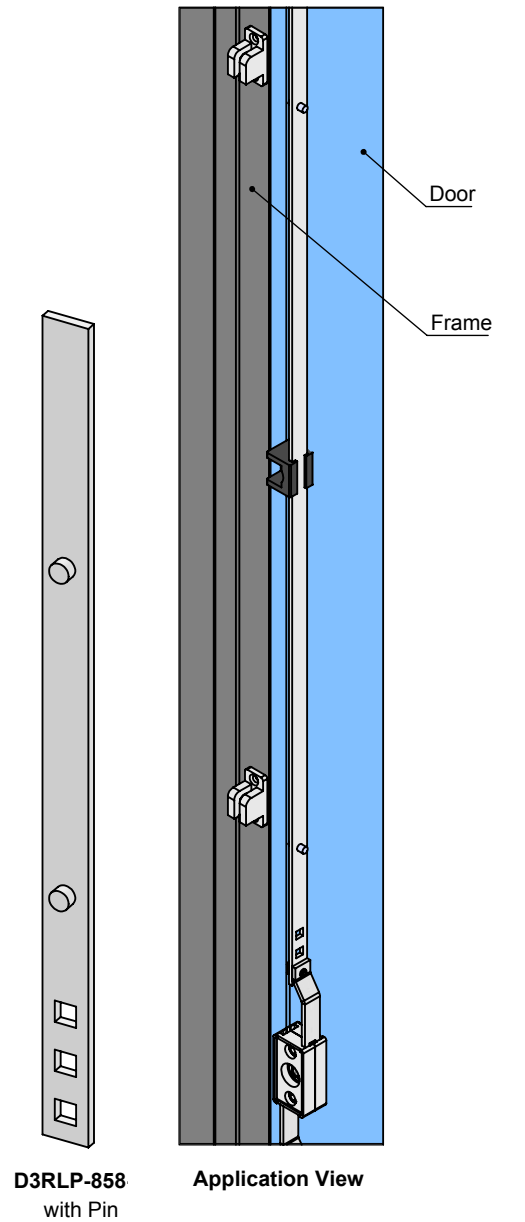


Product Code	Material	Finish	Description
<b>D3RGF</b>	Polyamide	-	Flat Rod Guide
<b>DRCG</b>	Zinc	Black PC	Catcher
<b>D3RL-ST-L</b>	MS	Nickel Plated	Flat Rod
<b>D3RL-T-L</b>	MS	Nickel Plated	Flat Rod



# Three Point Locks

## Multiple Pin Lock System



Application View  
D3RL-P-858-N

# Three Point Locks

## Multiple Pin Lock System



DMRLG1



DRLG



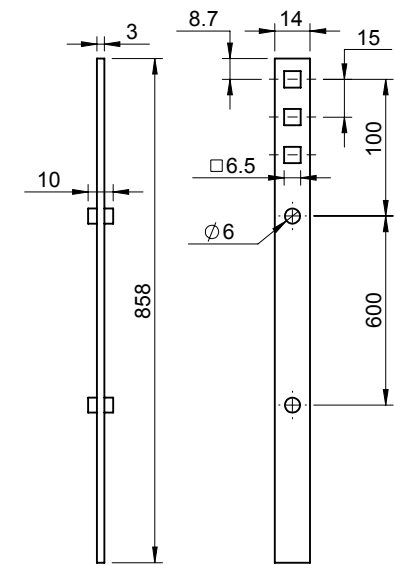
DMRLG1-Pin



DRLG-Pin



D3RL-P-858



Product Code	Material	Finish	Description
DMRLG1	MS	Yellow Zinc	Catcher
DMRLG1-Pin	MS	Blue Zinc	Pin
DRLG	MS	Raw	Catcher
DRLG-Pin	MS	Blue Zinc	Pin
D3RL-P-858	MS	Nickel Plated	Flat Rod

## Three Point Locks

### Swing Handle



D3R3SML-CY2T-Z

D3R3SL-CY1

Product Code	Base Material	Handle Material	Handle Finish	Key
D3R3SML-CY2T-Z	Polyamide	Zinc	Black PC	D-1333
D3R3SL-CY1	Polyamide	Zinc	Black PC	D-1333



CY1



CY2

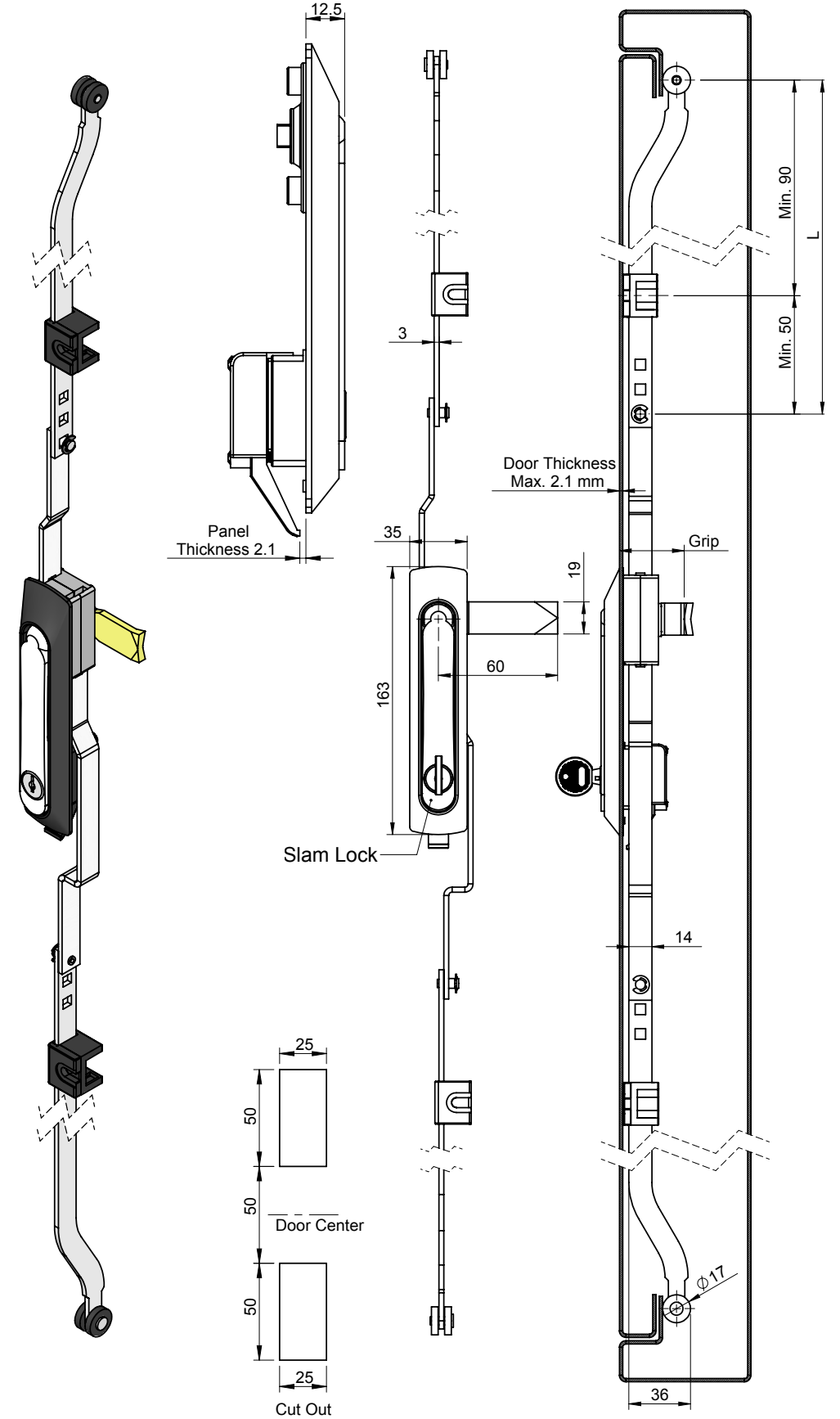


CY2T

Product Code	Material	Finish	Key
CY1	Zinc	CH	D-1333
CY2	Zinc	CH	DB5K
CY2T	Zinc	CH	DBTK
Swing Handle Accessories			

## Three Point Locks

### Push To Lock



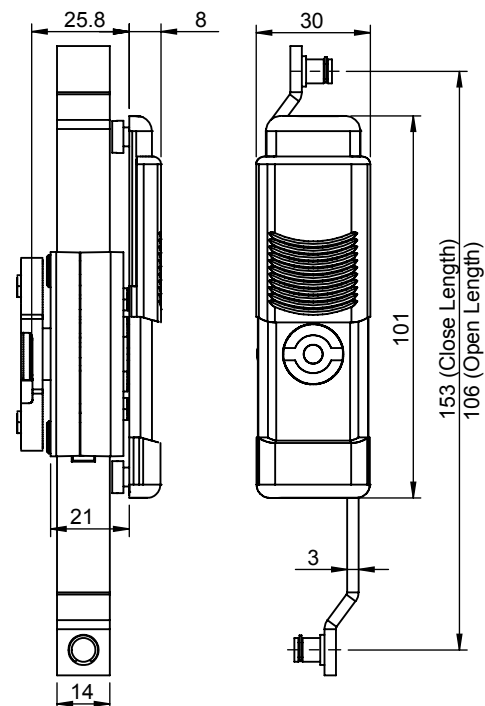
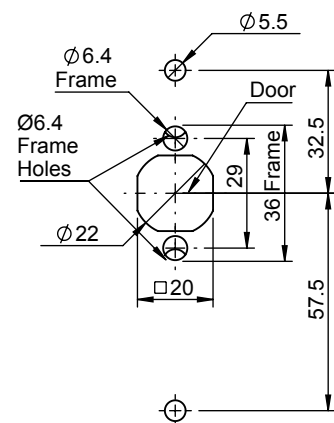
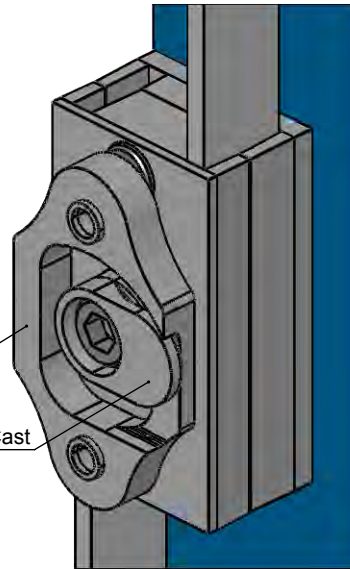
Product Code	Base Material	Handle Material	Handle Finish	Key
D5R3P-SML	Polyamide	Zinc	CH	D-1333
Application View				
D5R3P-SML-D3RL-L	Polyamide	Zinc	CH	D-1333

## Three Point Locks

### Mounting Plate with Slider-D19LG



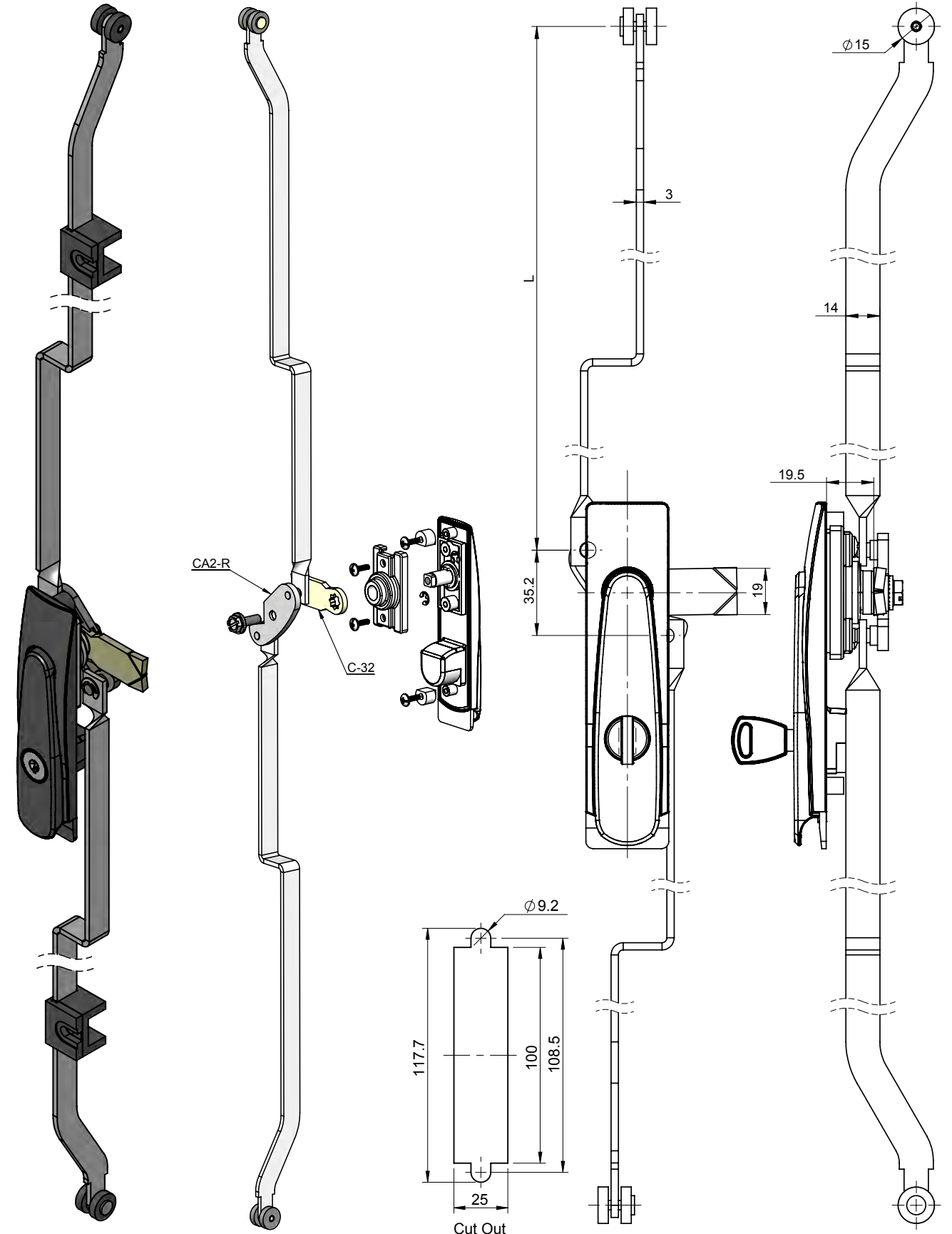
Catcher

Slider Plate with  
Transparent CoverCatcher  
Cam  
Zinc Die Cast

Product Code	Material	Key
D19LG	Polyamide	DB5K

## Three Point Locks

### Swing Handle-D21SL

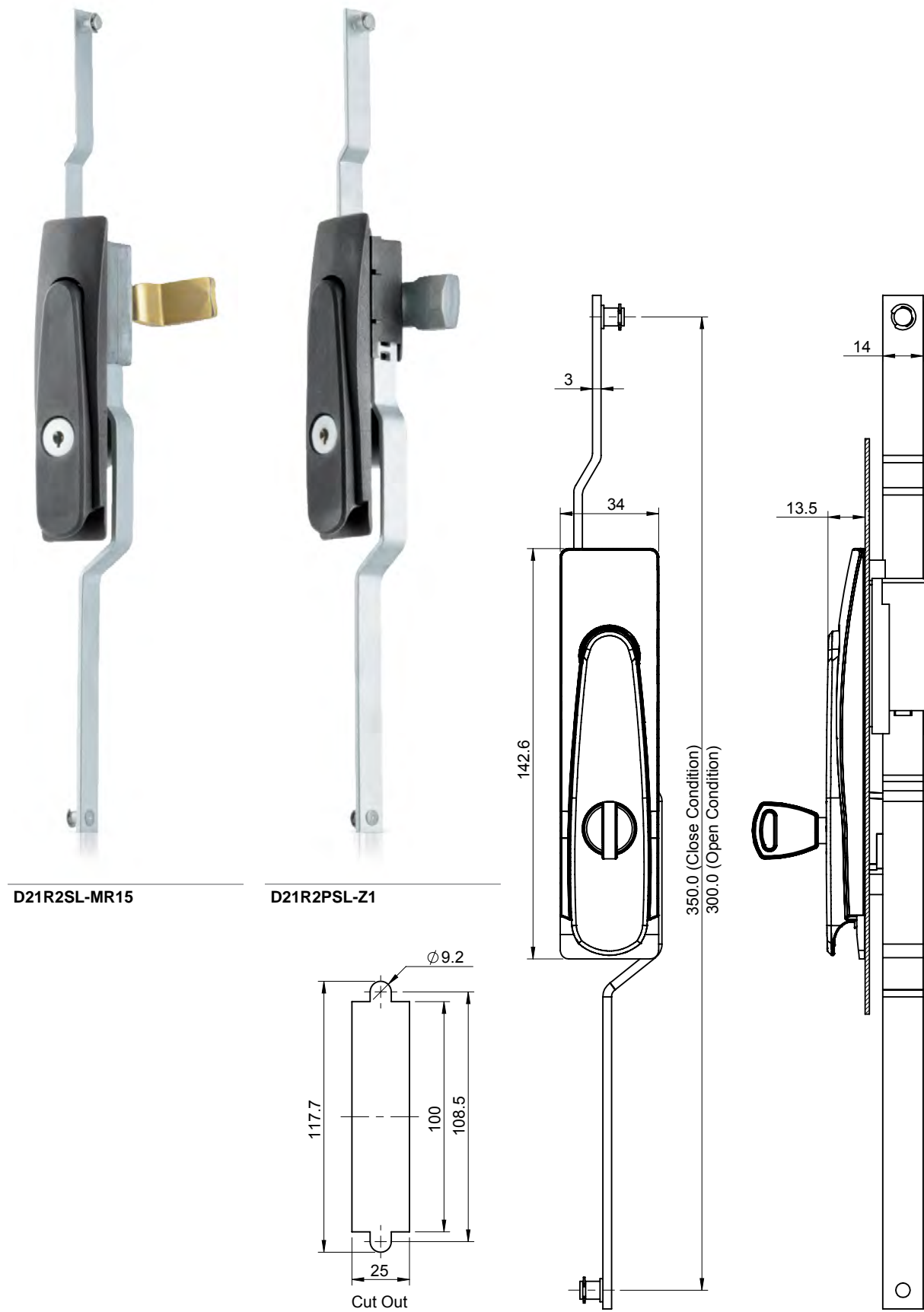


Product Code	Material	Key
D21SL-DCAT-L	Polyamide	D-1333
D21SL-DCA-RL-L	Polyamide	D-1333



### Three Point Locks

#### Swing Handle-D21SL



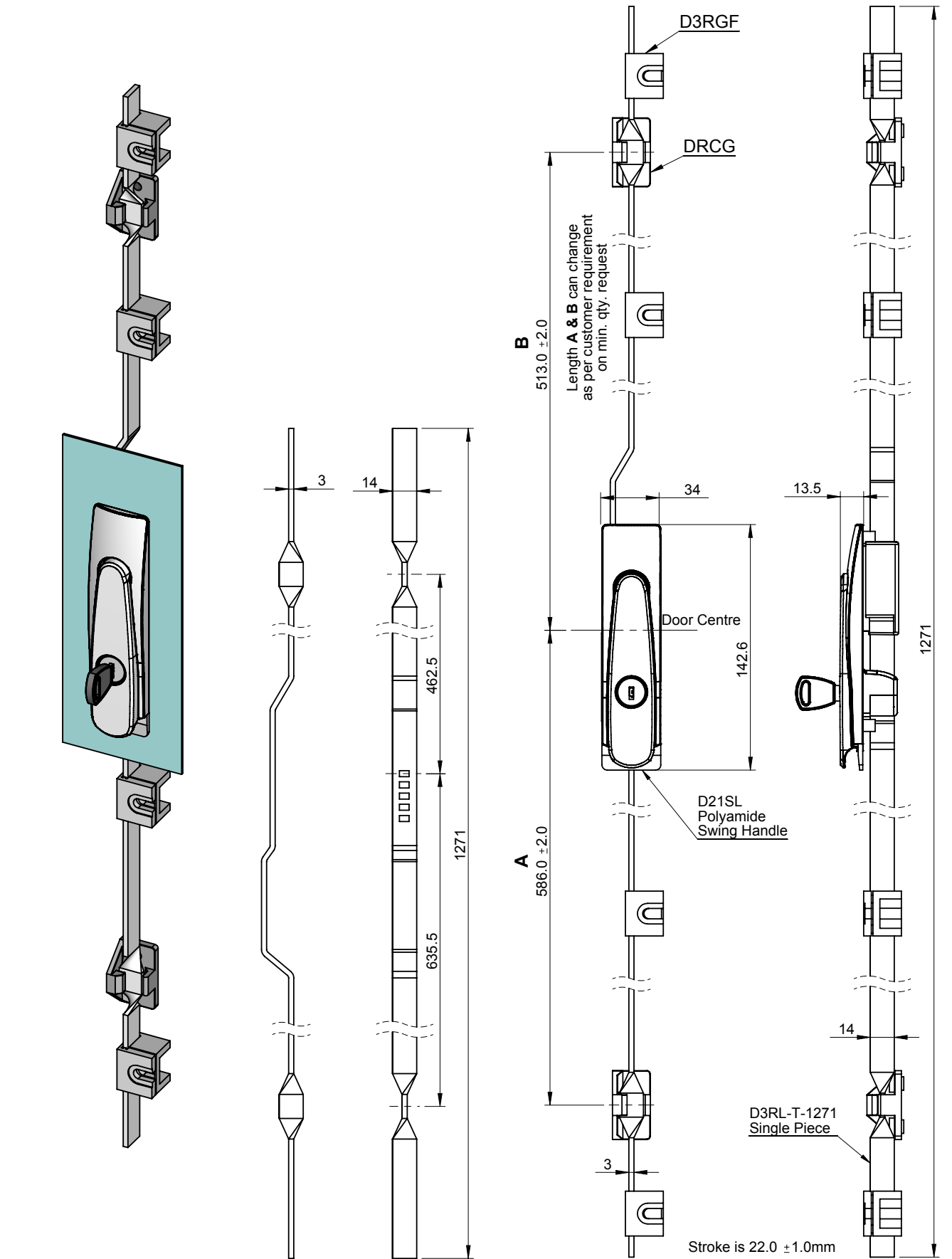
D21R2SL-MR15

D21R2PSL-Z1

Product Code	Material	Key
D21R2SL-MR15	Polyamide	D-1333
D21R2PSL-Z1	Polyamide	D-1333

### Three Point Locks

#### Swing Handle-D21SL



Application View

D21-SL-L1271

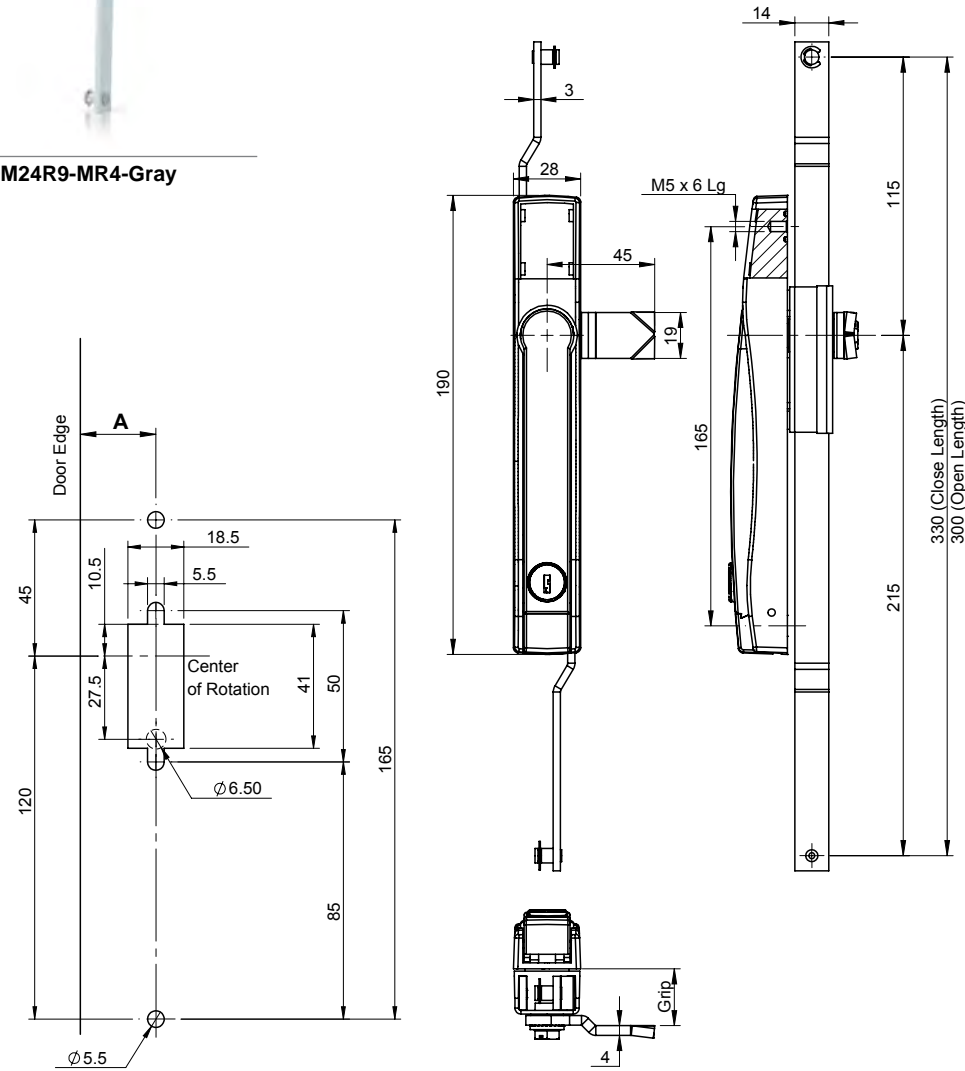
## Three Point Locks

### Swing Handle-DM24



DM24R9-ZCL3-PC

DM24R9-MR4-Gray



Product Code	Material	A	Finish	Key
DM24R9-ZCL3-PC	Zinc	18	Black PC	DM-24
DM24R9-MR4-Gray	Zinc	50	Gray	DM-24

Finish : STPC available on minimum order

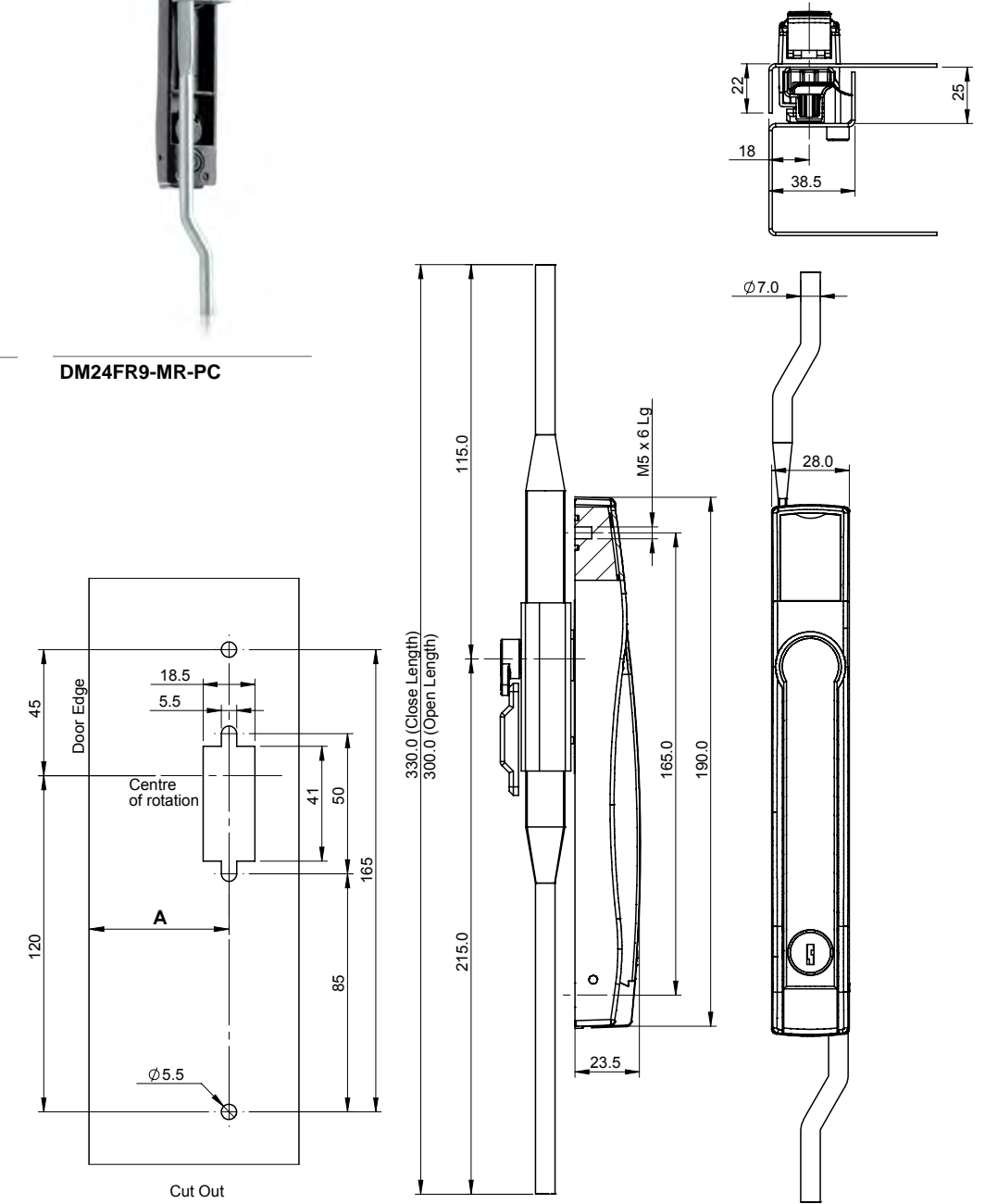
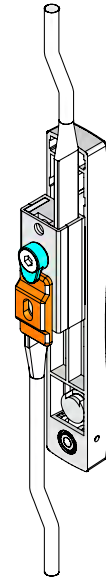
## Three Point Locks

### Swing Handle-DM24



DM24FR9-ZCL3-PC

DM24FR9-MR-PC

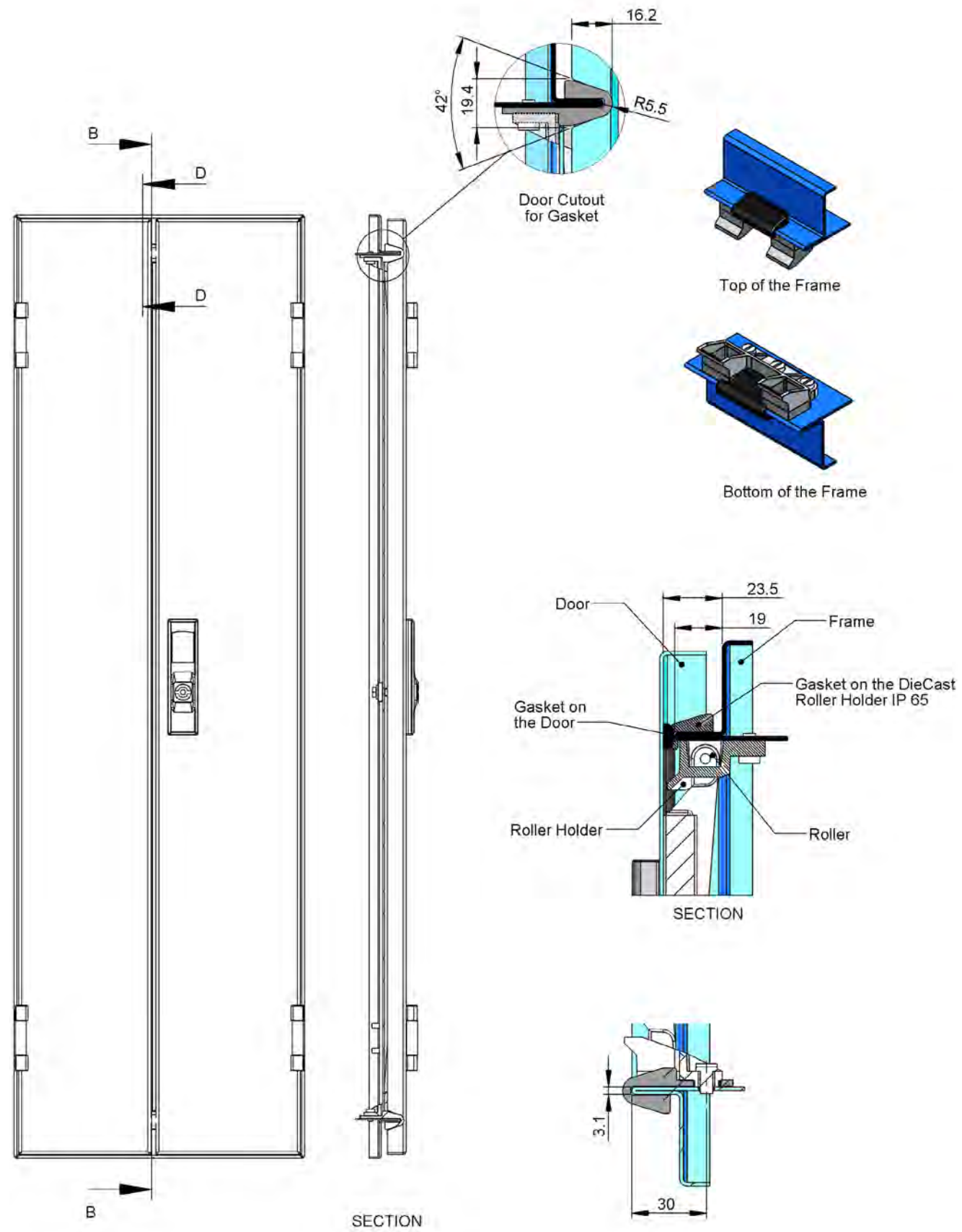


Product Code	Material	A	Finish	Key
DM24FR9-ZCL3-PC	Zinc	18	Black PC	DM-24
DM24FR9-MR-PC	Zinc	50	Black PC	DM-24

Finish : STPC available on minimum order

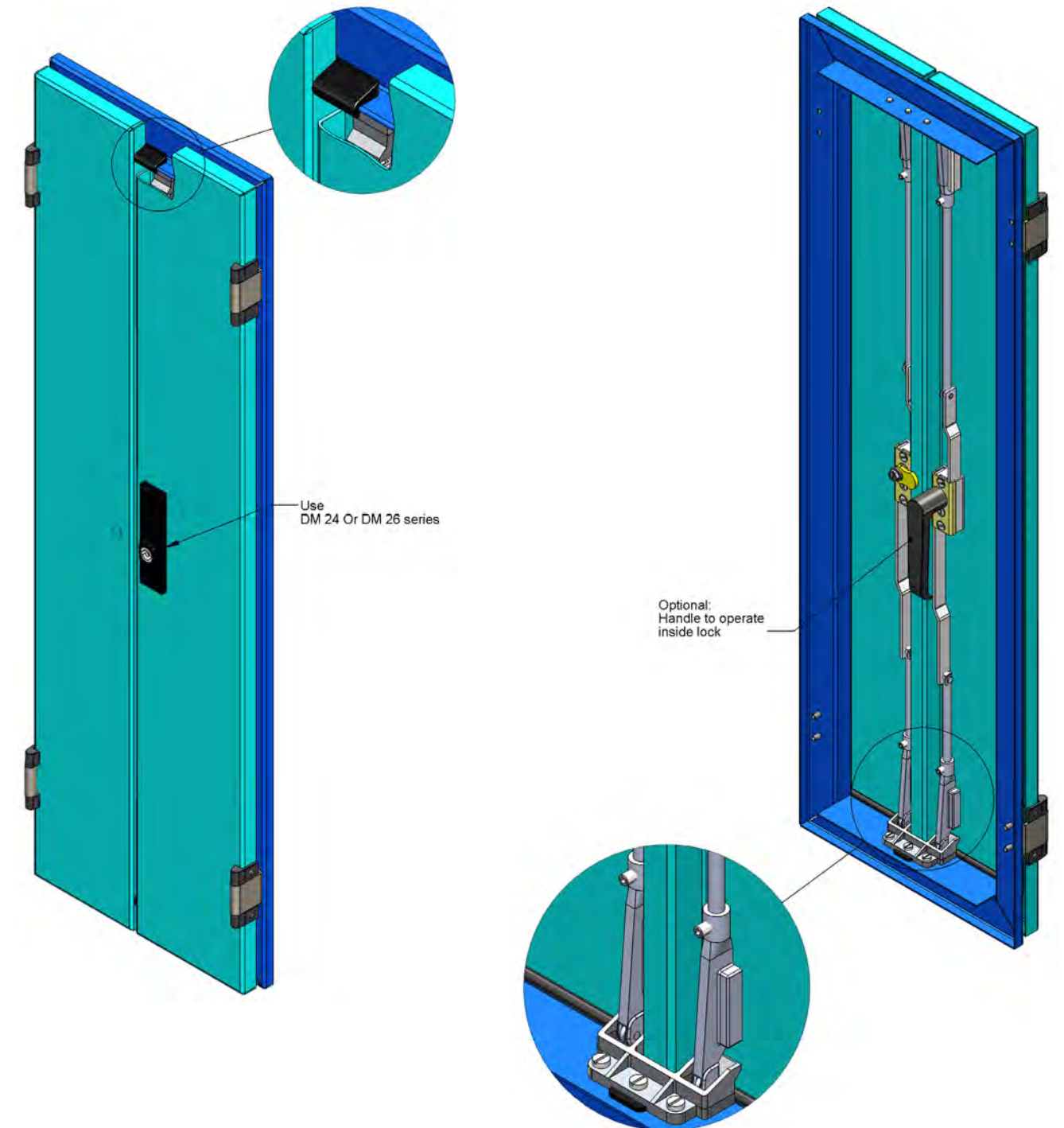
## Three Point Locks

### Double Door System

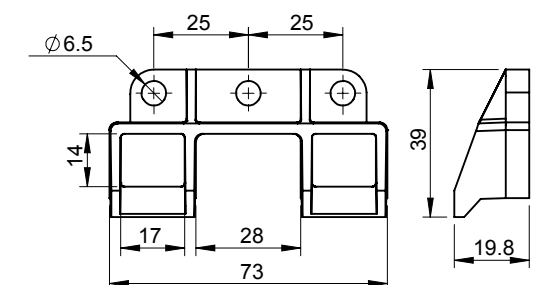


## Three Point Locks

### Double Door System

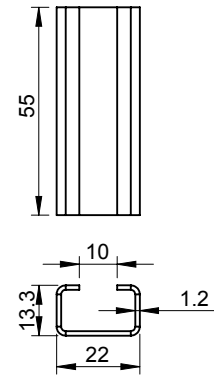
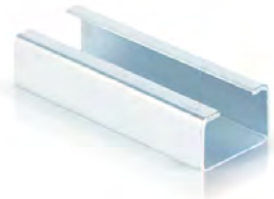


- DK-DDS-F1 Set Consists of**
- Lock : **DM24R9-MR-PC**  
(1 no.)
  - Lock : **R9L1MP-PC**  
(1 no.)
  - Round Rod : **D4F-1065**  
(4 nos.)
  - Rod Guide : **D34RG**  
(4 nos.)
  - Adaptor : **DR7G**  
(4 nos.)
  - DRA-8-11**  
(4 nos.)
  - Adaptor Guide : **D2HRZ**  
(2 Nos.)

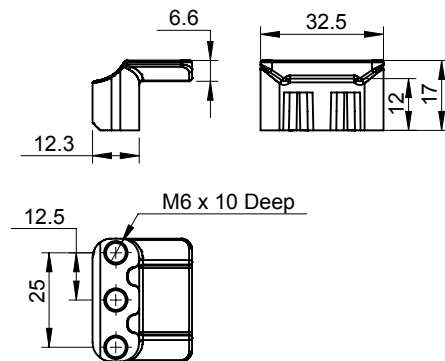


## Three Point Locks

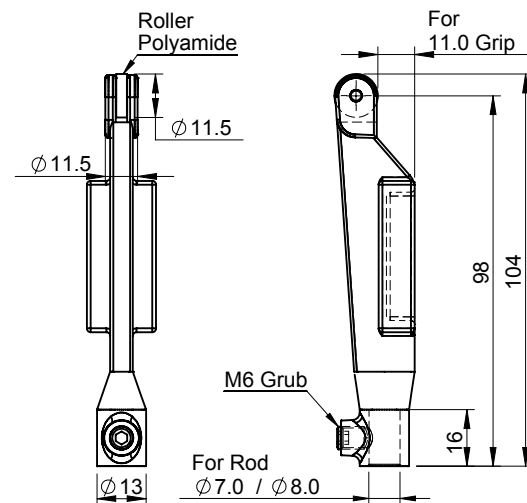
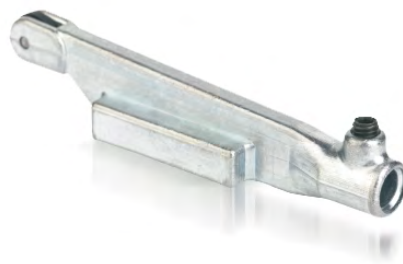
## Double Door Accessories



Product Code	Material	Finish	Description
<b>DR7G</b>	MS	Blue Zinc	Adaptor Guide



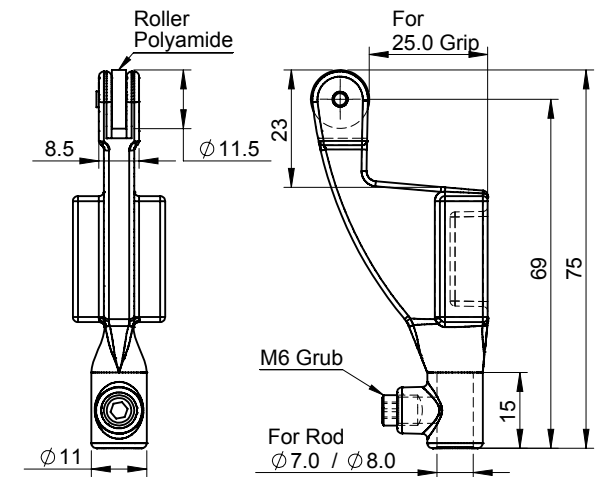
Product Code	Material	Finish	Description
<b>DR7C</b>	Zinc	Raw	Catcher



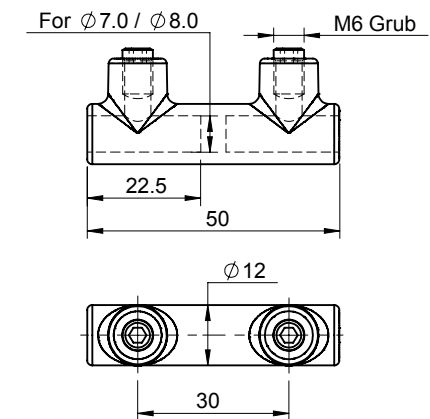
Product Code	Material	Finish	Description
<b>DRA-7-11</b>	Zinc	Raw	Adaptor
<b>DRA-8-11</b>	Zinc	Raw	Adaptor

## Three Point Locks

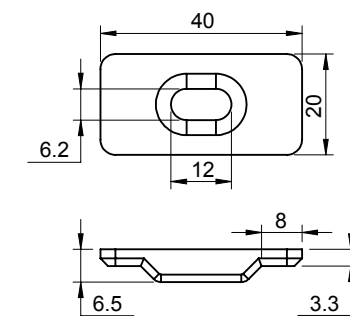
## Double Door Accessories



Product Code	Material	Finish	Description
<b>DRA-7-25</b>	Zinc	Raw	Adaptor
<b>DRA-8-25</b>	Zinc	Raw	Adaptor



Product Code	Material	Finish	Description
<b>DZJ-8</b>	Zinc	Raw	Joiner
<b>DZJ-7</b>	Zinc	Raw	Joiner

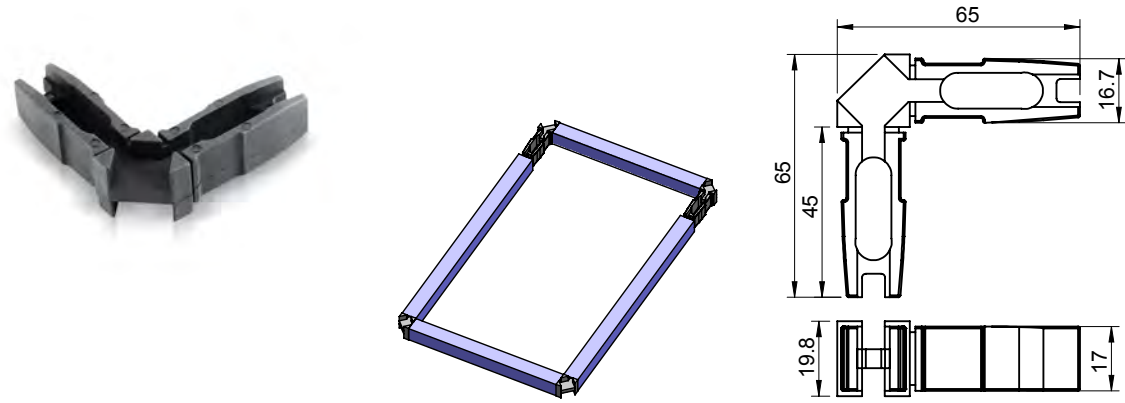


Product Code	Material	Finish	Description
<b>ZCL3</b>	Zinc	Raw	Catcher

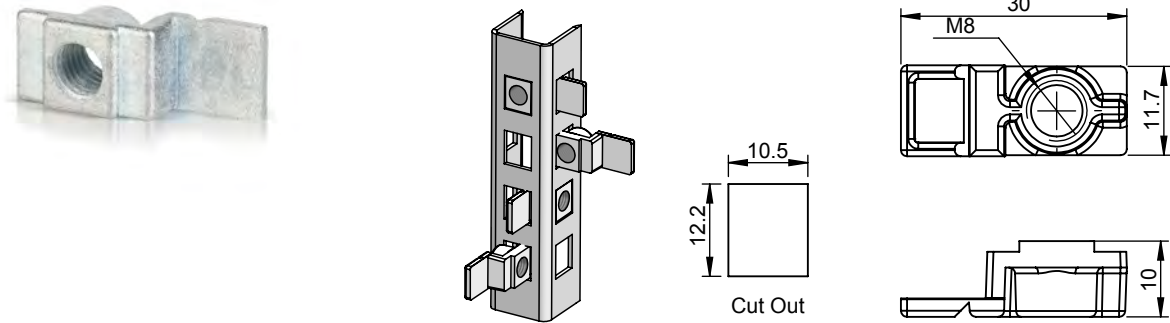


### Three Point Locks

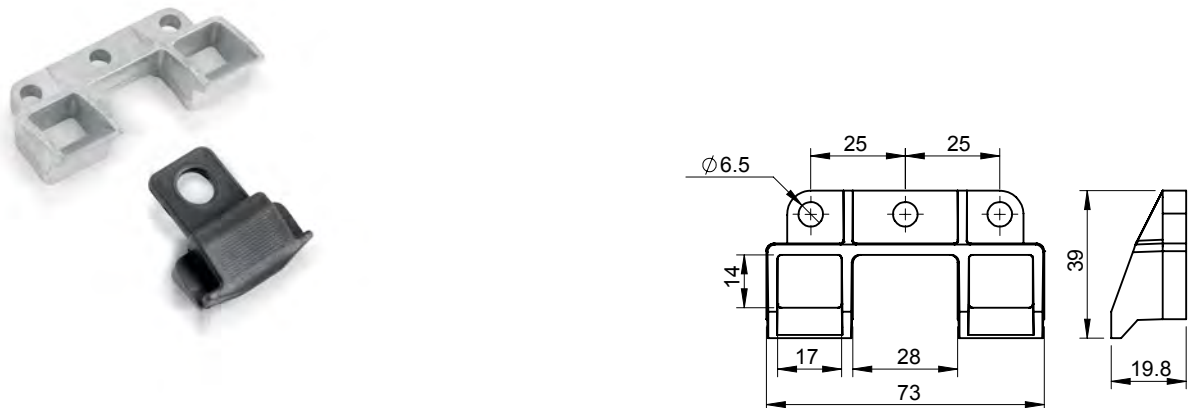
#### Double Door Accessories



Product Code	Material	Finish	Description
DPC-17	Polyamide	Raw	Connector



Product Code	Material	Finish	Description
AP7-M8	Zinc	Raw	Nut



Product Code	Material	Finish	Description
D2HRZ	Zinc + Rubber	Raw	Adaptor Guide

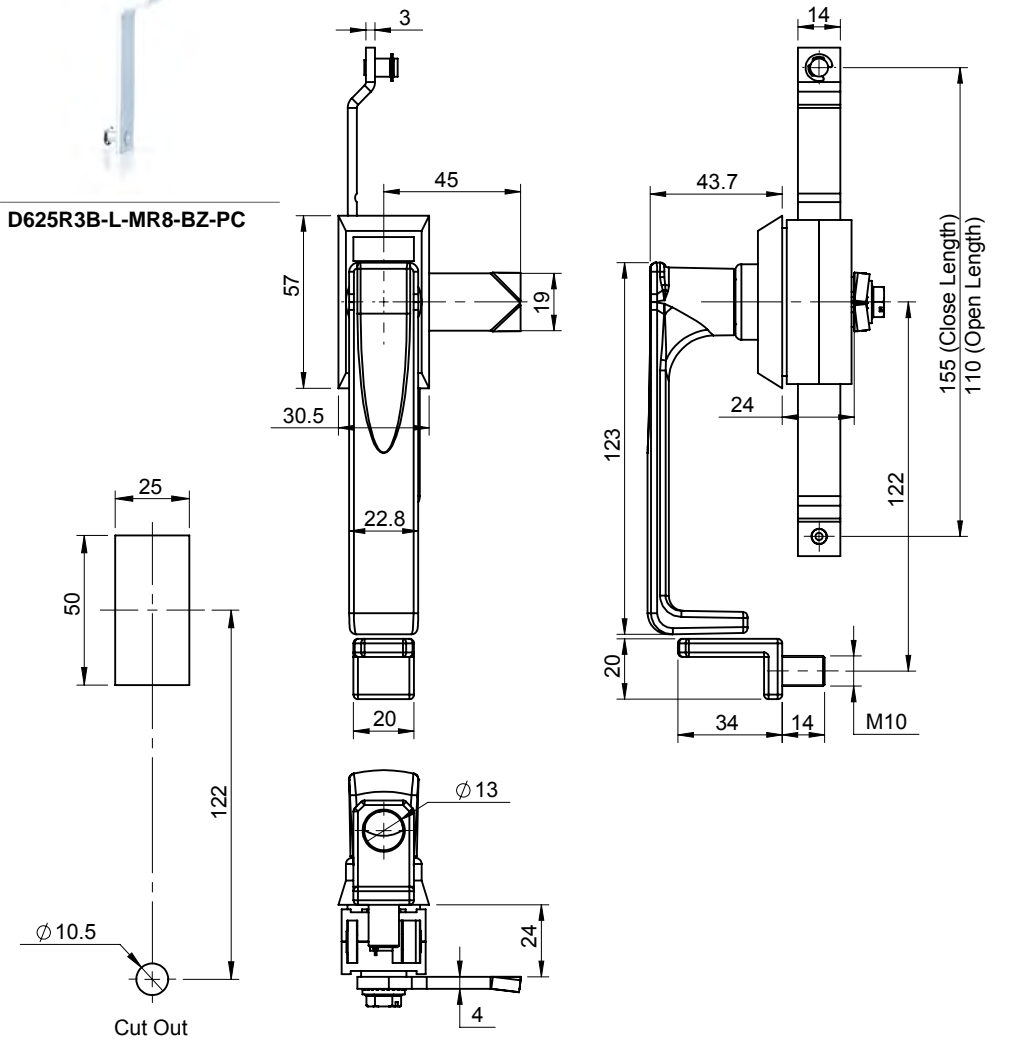
### Three Point Locks

#### Pad Lock Handle



D625R5B-L-MR-PC

D625R3B-L-MR8-BZ-PC



Product Code	Material	Finish	Description
D625R5B-L-MR-PC	Zinc	Black PC	Rack & Pinion : D5RBPL (Stay put movement)
D625R3B-L-MR8-BZ-PC	Zinc	Black PC	-

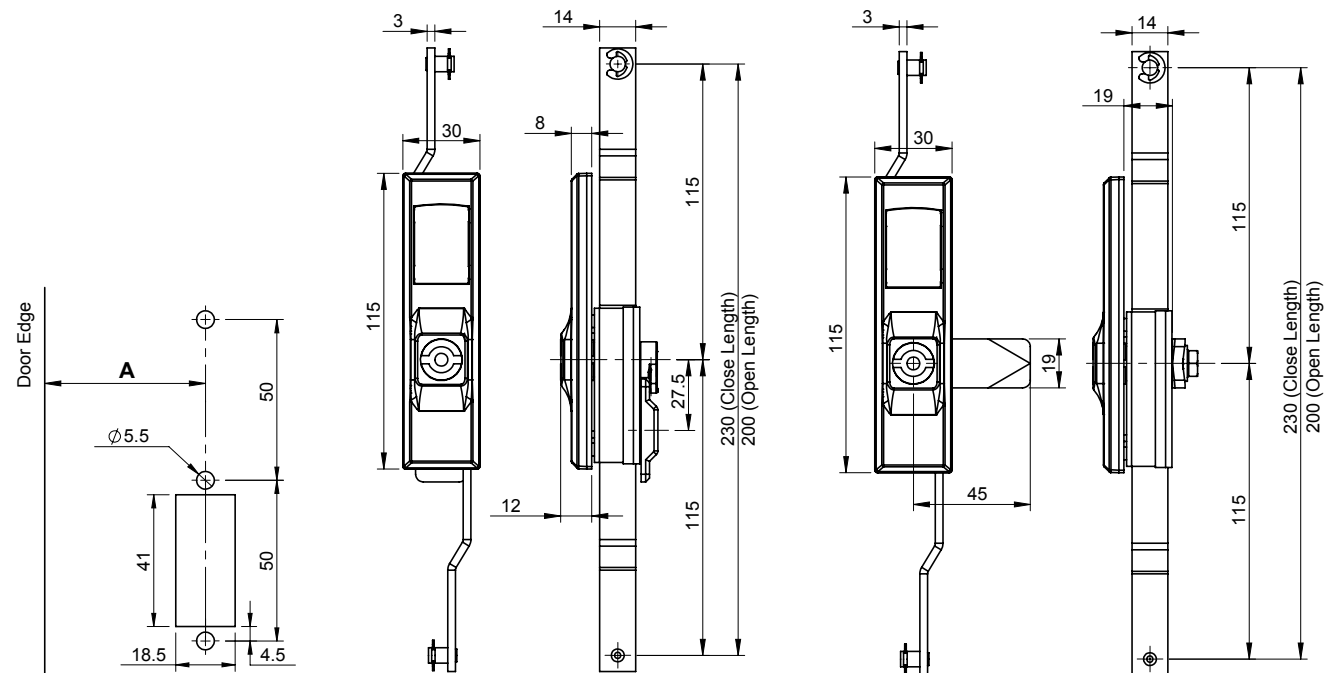
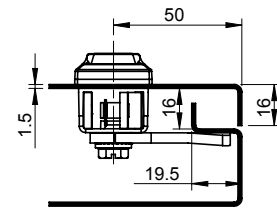
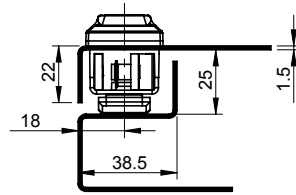
## Three Point Locks

## Point Lock-DM26R



DM26R10-ZCL-3

DM26R10-MR-Gray



Product Code	Material	A	Key
DM26R10-ZCL3	Polyamide Black	18	DB5K
DM26R10-MR-Gray	Polyamide Gray	50	DB5K

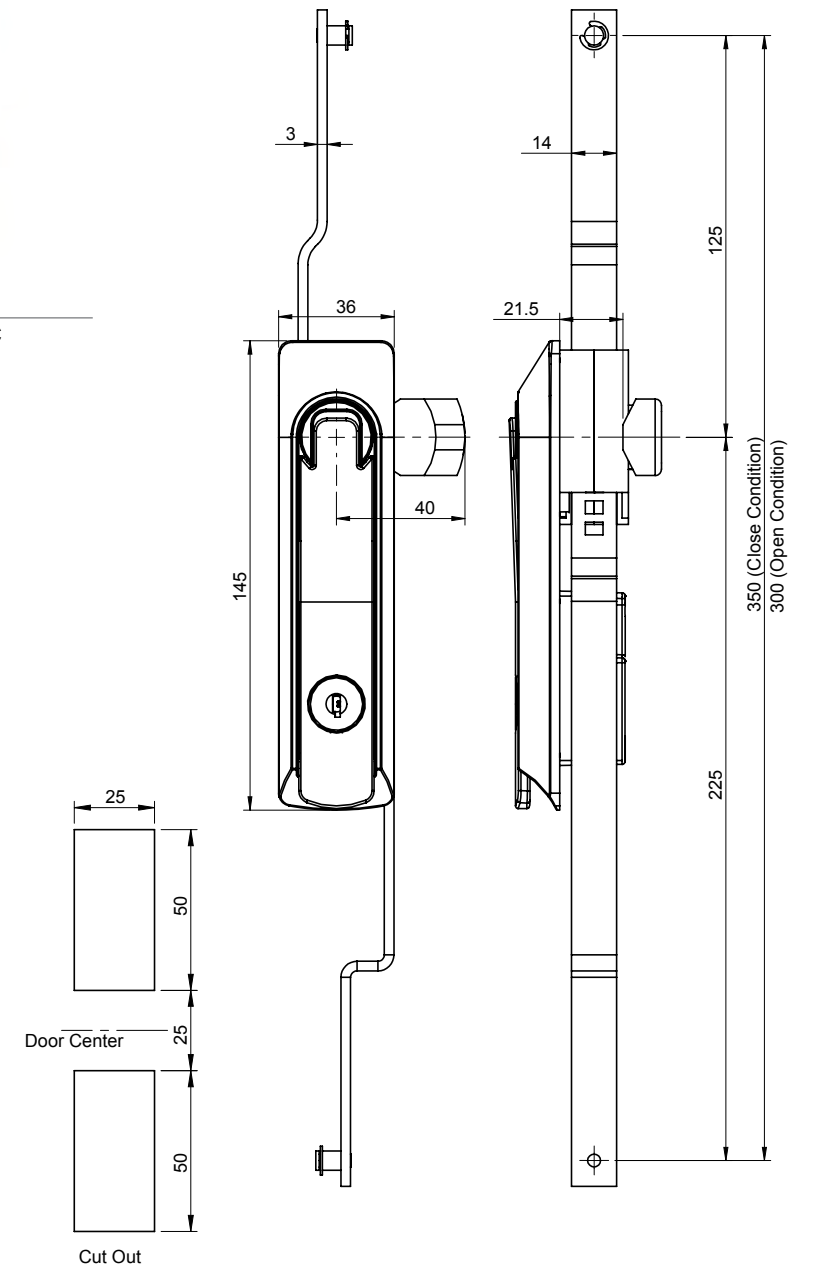
## Three Point Locks

## Swing Handle-DM27



DM27-5-R11-Z1-CH

DM27-K-R11-Z-PC



Product Code	Material	Finish	Key
DM27-5-R11-Z1-CH	Zinc	CH	DB5K
DM27-K-R11-Z-PC	Zinc	Black PC	D-1333

### Three Point Locks Swing Handle-DM47

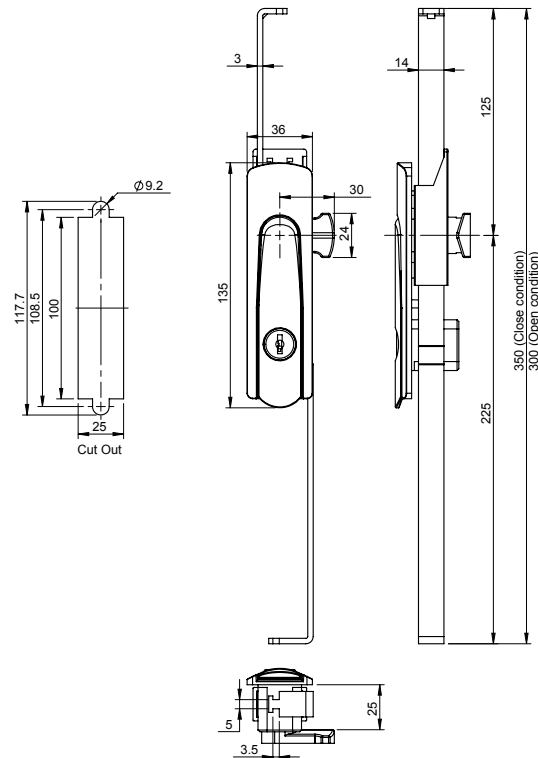


DM47R1EP SL-Z-Gray

D47R3EP SL-Z



DM47R1ESL-Z-RAL-9002



2020

Product Code	Material	Finish	Key
DM47R1EP SL-Z-Gray			
D47R3EP SL-Z			
DM47R1ESL-Z-RAL-9002			

### Three Point Locks Swing Handle-DM48



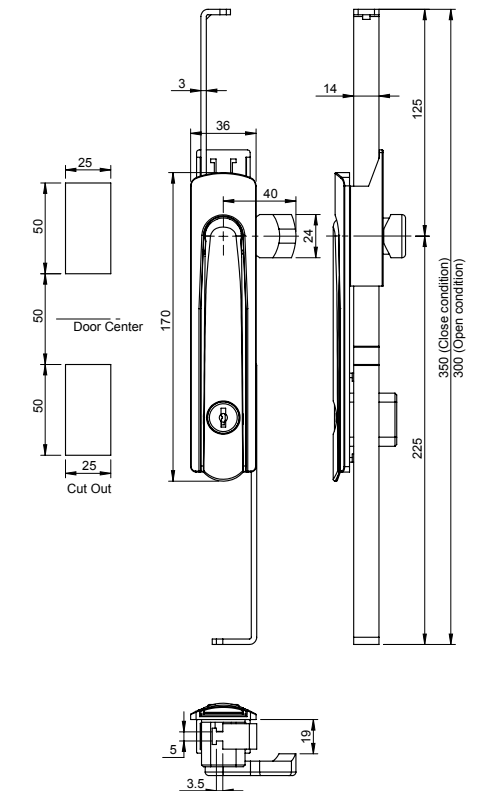
DM48R3EP SL-MR-BZ

DM48R3ESL-Z1-PC-RAL-9002



DM48R3SL-L-MR4-BZ-RAL-9002

DM48R3SHL-Z1-PC



2020

Product Code	Material	Finish	Key
DM48R3EP SL-MR-BZ			
DM48R3ESL-Z1-PC-RAL-9002			
DM48R3SL-L-MR4-BZ-RAL-9002			
DM48R3SHL-Z1-PC			

## Three Point Locks

### Symmetrical Compact Lock



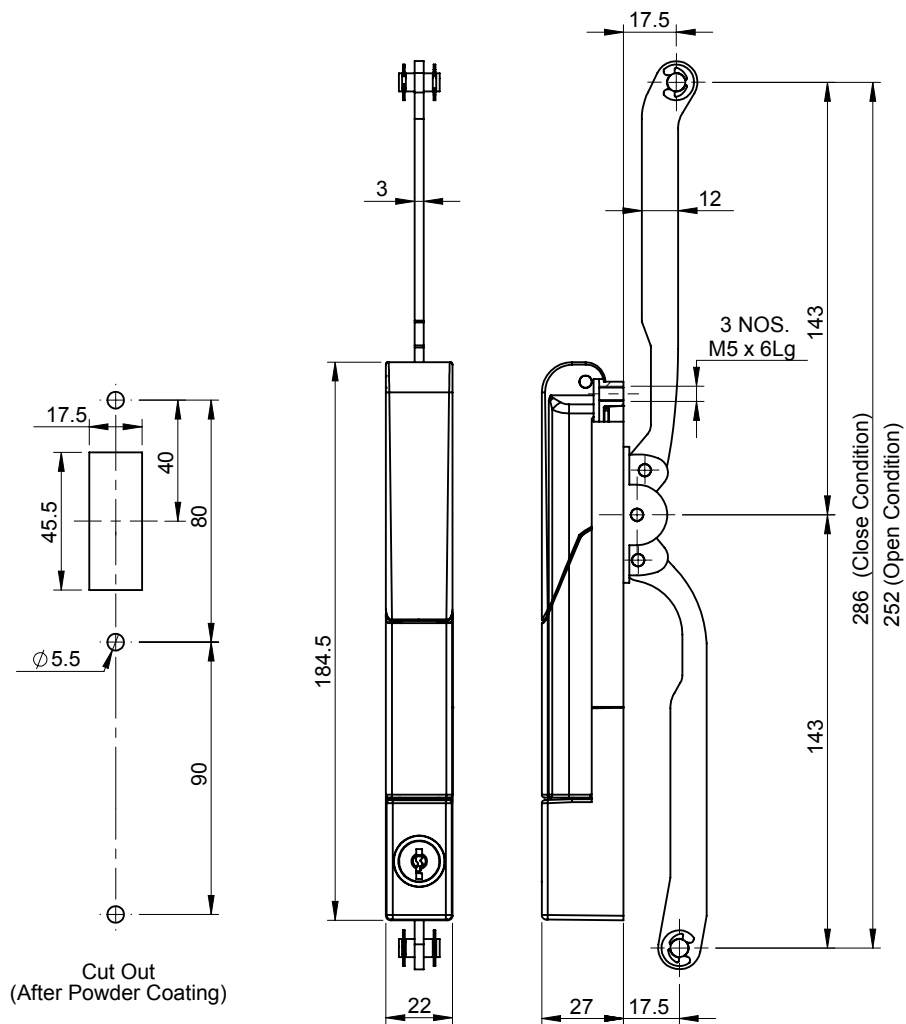
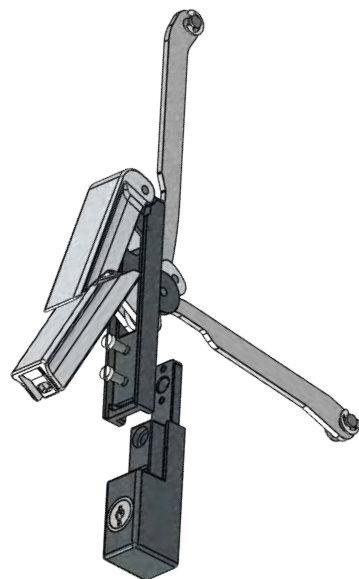
DM32-K



DM32-2



DM32-2L



Product Code	Material	Base Finish	Handle Finish	Key
DM32-K	Zinc	Gray (RAL-7011) PC	SPC	D-2233
DM32-2	Zinc	Gray (RAL-7011) PC	SPC	DK-32
DM32-2L	Zinc	Gray (RAL-7011) PC	SPC	DK-32

## Three Point Locks

### Symmetrical Compact Lock Accessories



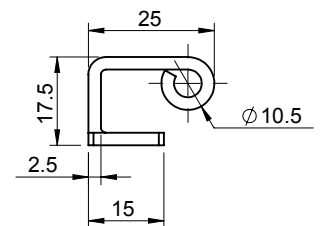
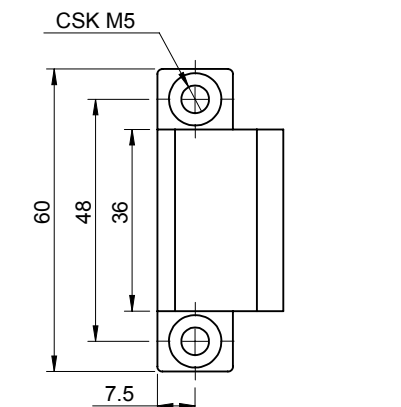
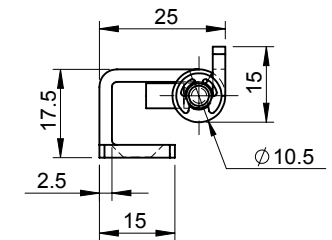
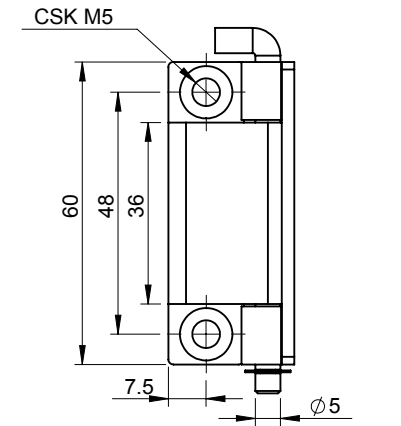
DK32



DHIM-6025



DMRLG2

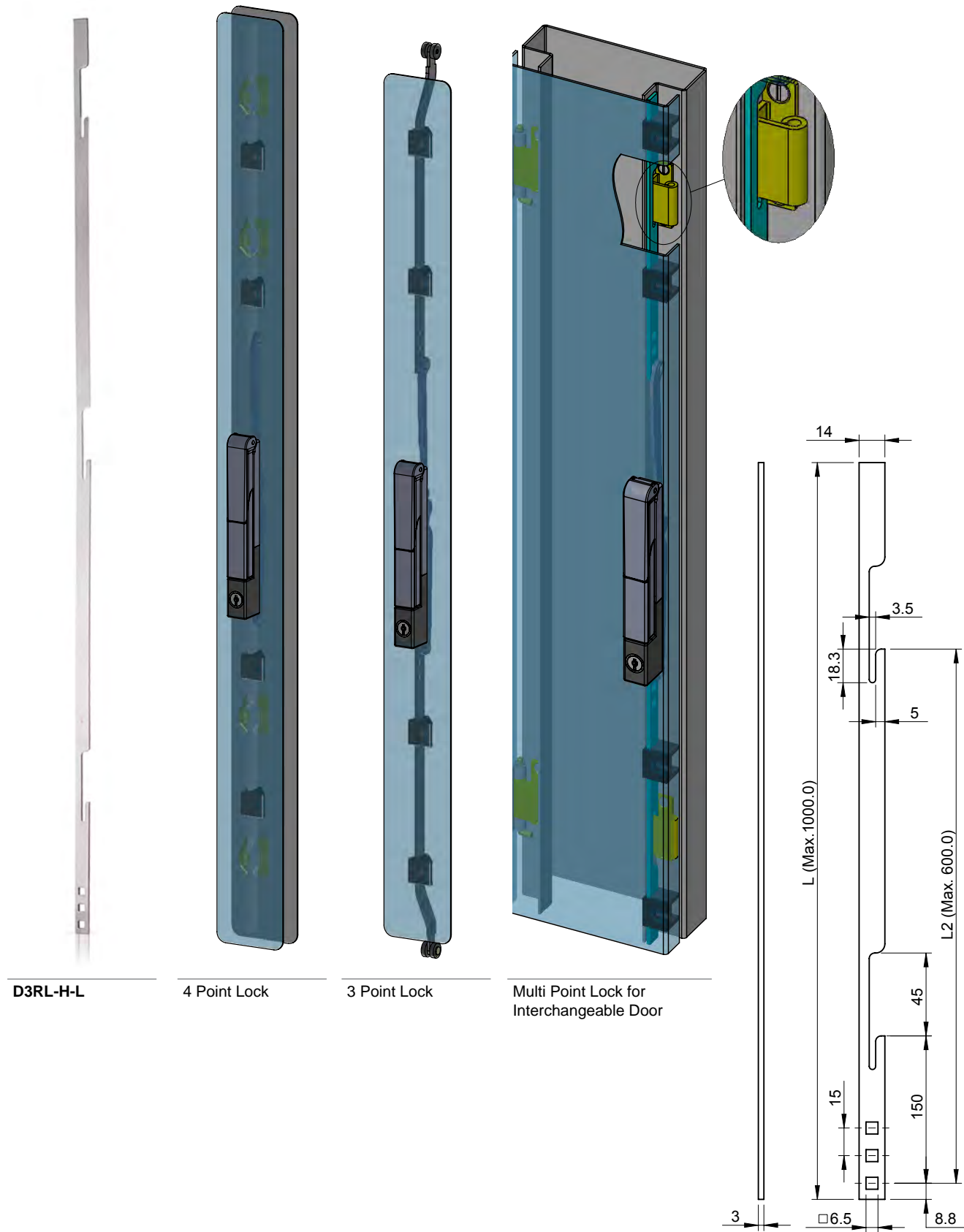


Product Code	Material	Finish	Description
DK32	Zinc	Nickel Plated	Key
DHIM-6025	MS	Yellow Zinc	Hinge
DMRLG2	MS	Yellow Zinc	Catcher



## Three Point Locks

### Symmetrical Compact Lock Accessories

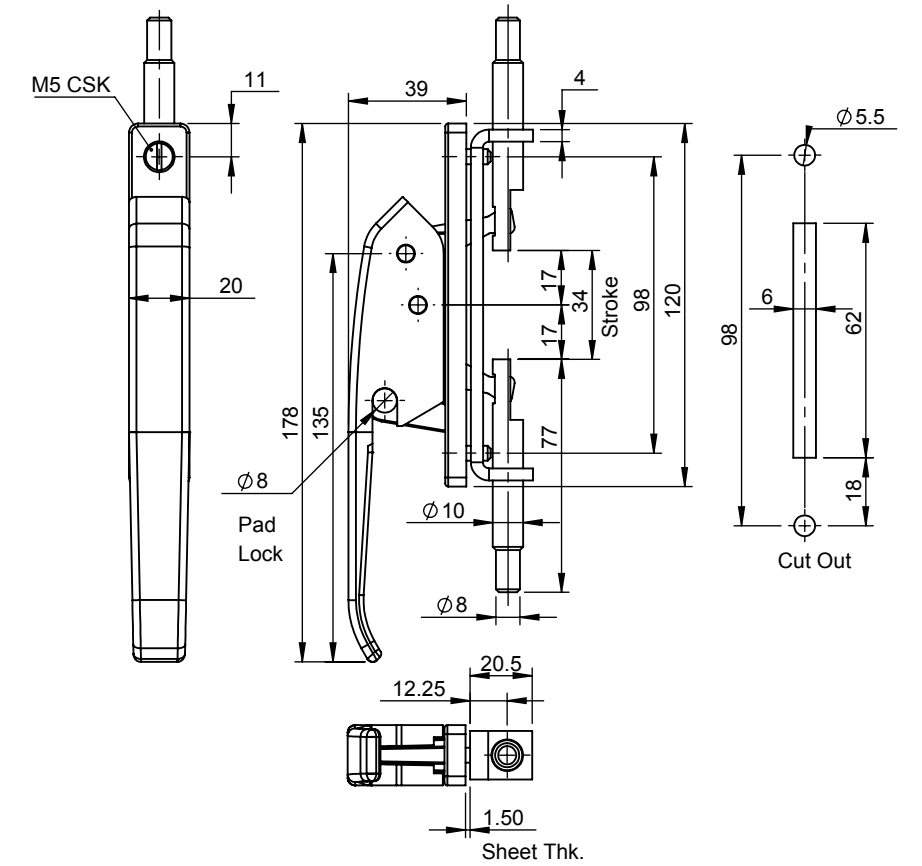


**D3RL-H-L** 4 Point Lock 3 Point Lock Multi Point Lock for Interchangeable Door

Product Code	Material	Finish	Description
<b>D3RL-H-L</b>	MS	Nickel Plated	Flat Rod
Application View			
<b>DM32-K</b>			

## Three Point Locks

### Symmetrical Pad Lock-DM36L



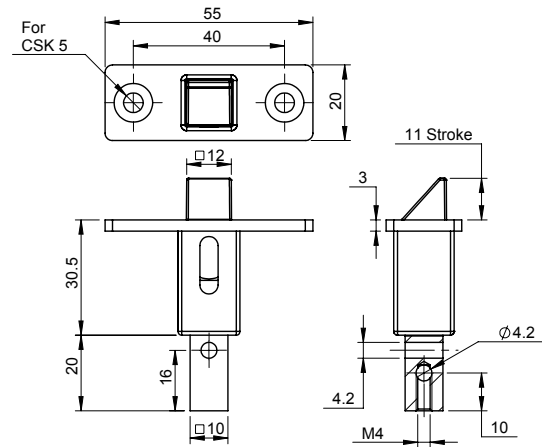
Product Code	Material	Finish	Description
<b>DM36L</b>	Zinc + MS	Black PC	Symmetrical Pad Lock

# Three Point Locks

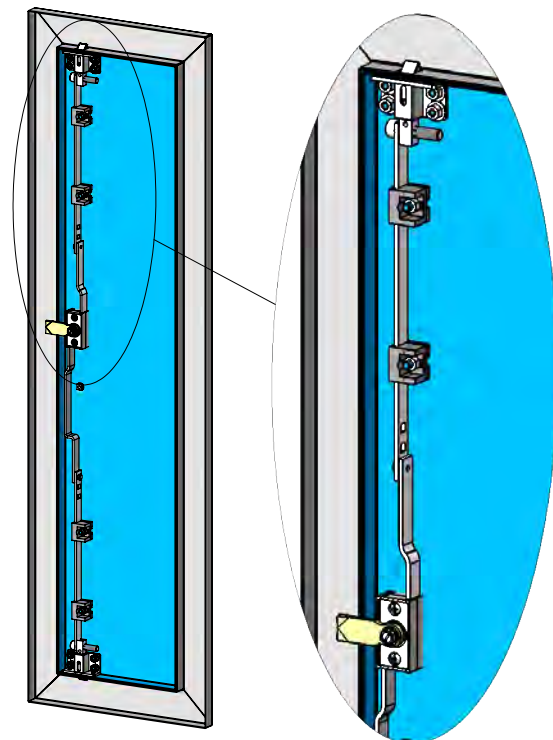
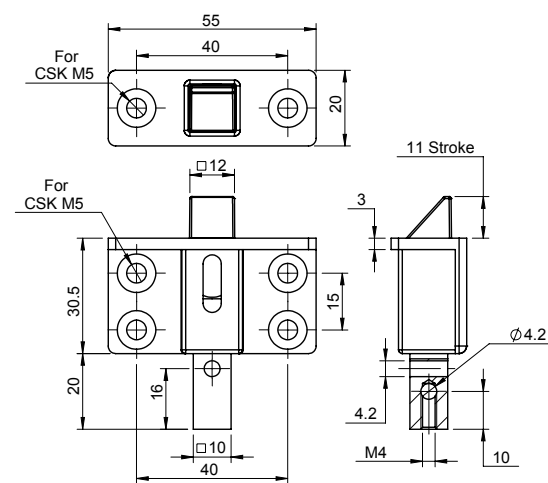
## Slam Accessories



DMIS



DMPS



D6R1L1-Z-KLS

Product Code	Material	Finish	Description	Key
DMIS	Zinc + MS	Nickel Plated + Yellow Zinc	Slam	-
DMPS	Zinc + MS	Nickel Plated + Yellow Zinc	Slam	-
Application View				
D6R1L1-Z-KLS	-	-	-	D-1333
Recommended Lock <b>D6R1L1-Z-KLS</b> for Slam Motion Also compatible with 'T' Handle				

# Three Point Locks

## 2 Way Slam Lock



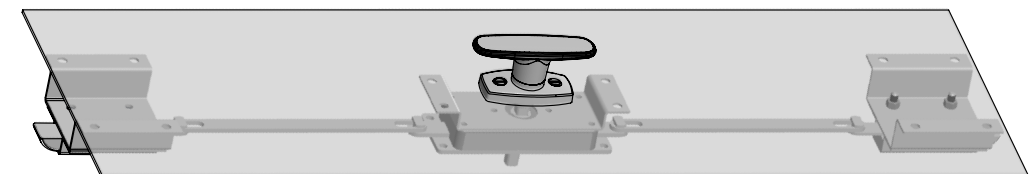
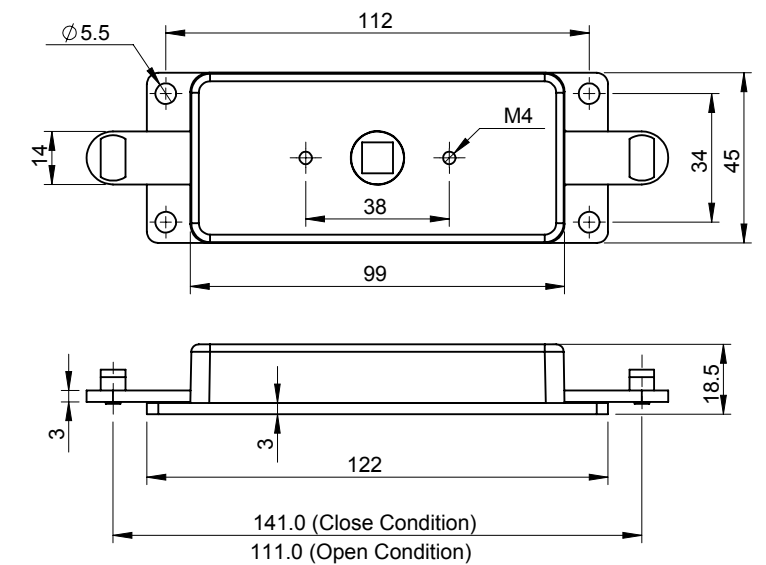
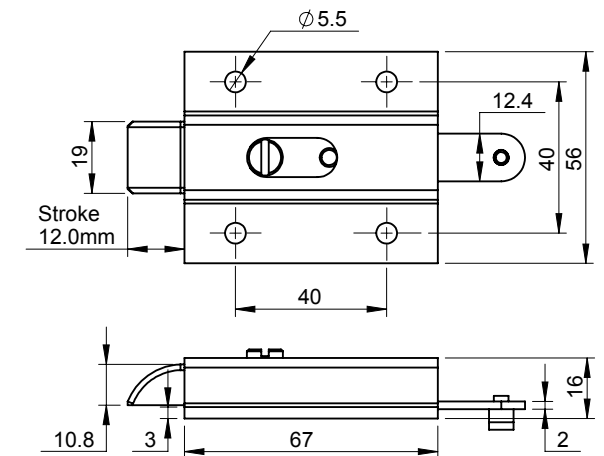
DZSRP-F



DZSRP



DZCRP



Product Code	Material	Finish
DZSRP-F	SS-304 + MS	Buffing + Nickel Plated
DZSRP	SS-304 + MS	Buffing + Nickel Plated
DZCRP	Zinc + MS	Nickel Plated

# Three Point Locks

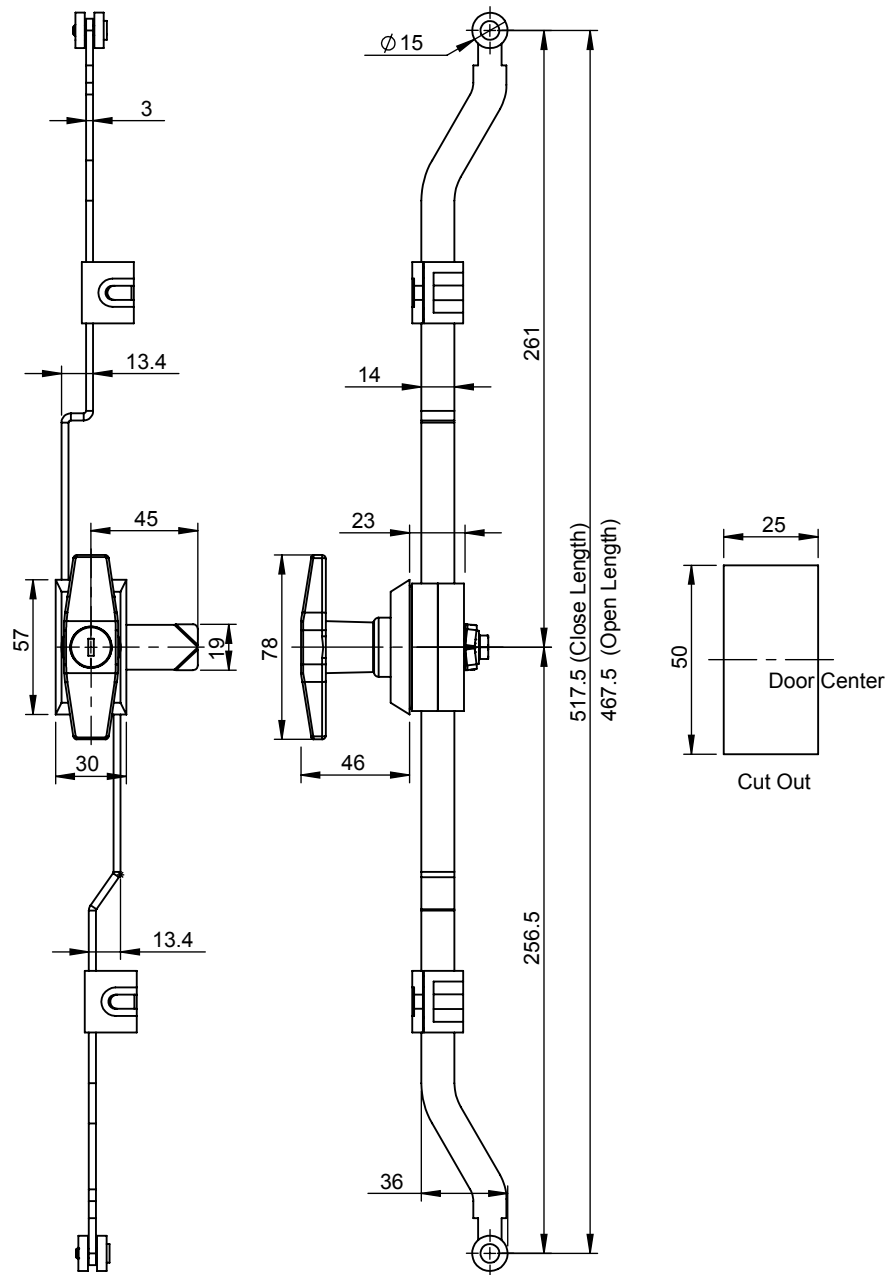
## Rack & Pinion



D6R12PR3T7M-MR



DR12PR3-L

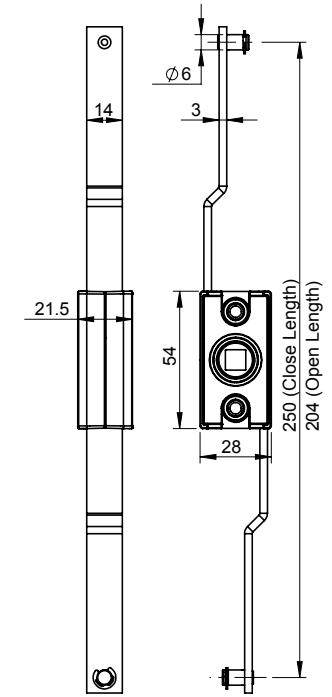


18/19

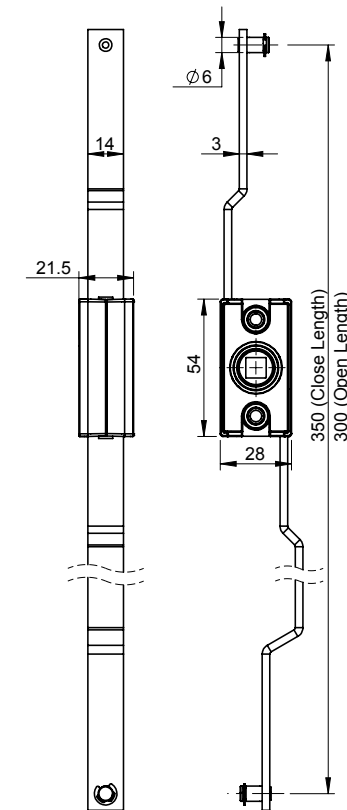
Product Code	Base Material	Base Finish	Rod Material	Rod Finish
D6R12PR3T7M-MR	Zinc	Raw	MS	Blue Zinc
DR12PR3-L	Zinc	Raw	MS	Blue Zinc

# Three Point Locks

## Rack & Pinion



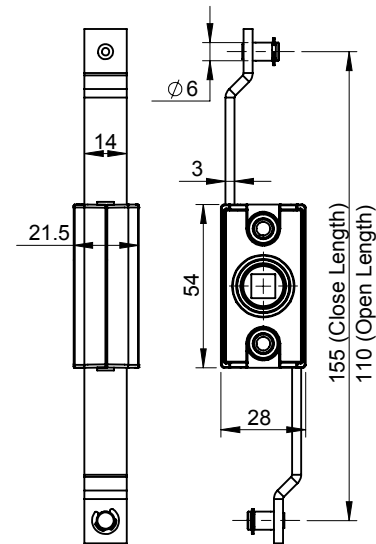
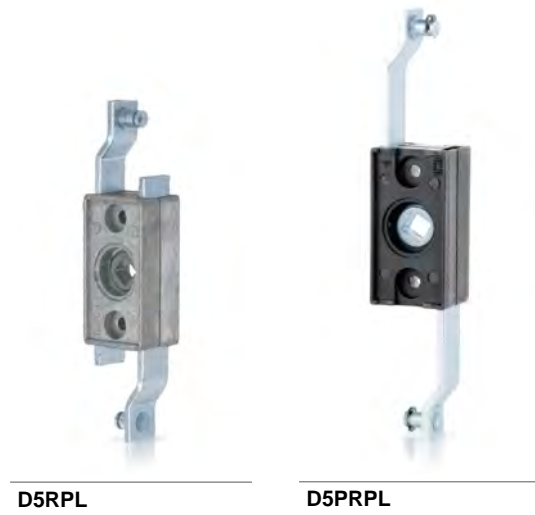
Product Code	Base Material	Base Finish	Rod Material	Rod Finish	Travel Min to Max	Type
D1RPL	Zinc	Raw	MS	Blue Zinc	204 to 250	Plain
D1RBPL	Zinc	Raw	MS	Blue Zinc	204 to 250	With Ball



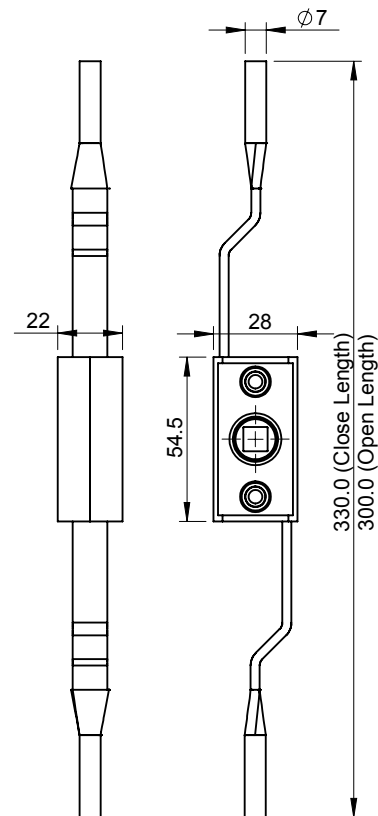
Product Code	Base Material	Base Finish	Rod Material	Rod Finish	Travel Min to Max	Type
D3RPL	Zinc	Raw	MS	Blue Zinc	300 to 350	Plain
D3RBPL	Zinc	Raw	MS	Blue Zinc	300 to 350	With Ball

## Three Point Locks

## Rack &amp; Pinion



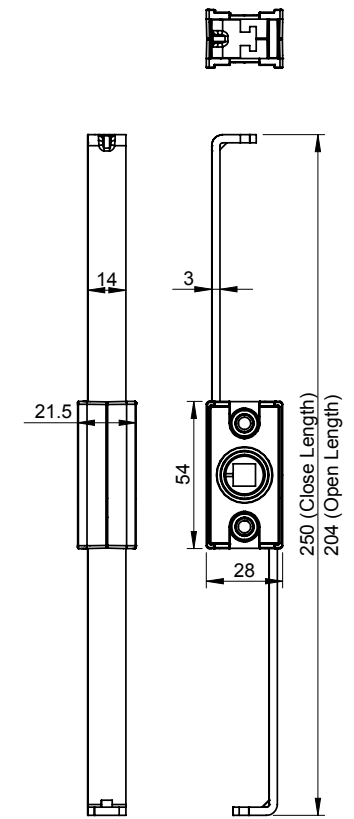
Product Code	Base Material	Base Finish	Rod Material	Rod Finish	Travel Min to Max	Type
D5RPL	Zinc	Raw	MS	Blue Zinc	110 to 115	Plain
D5PRPL	Polyamide	-	MS	Blue Zinc	110 to 115	Plain
D5RBPL	Zinc	Raw	MS	Blue Zinc	110 to 115	With Ball



Product Code	Base Material	Base Finish	Rod Material	Rod Finish	Travel Min to Max
DRF9-RPL	Zinc	Raw	MS	Blue Zinc	204 to 250

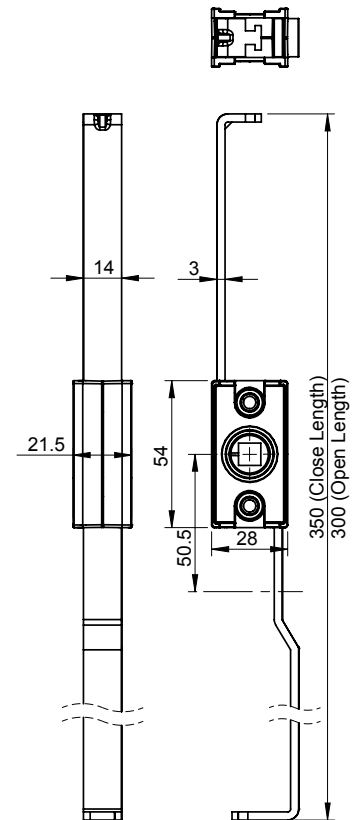
## Three Point Locks

## Rack &amp; Pinion



2020

Product Code	Base Material	Base Finish	Rod Material	Rod Finish	Travel Min to Max
D1REPL	Zinc	Raw	MS	Blue Zinc	204 to 250



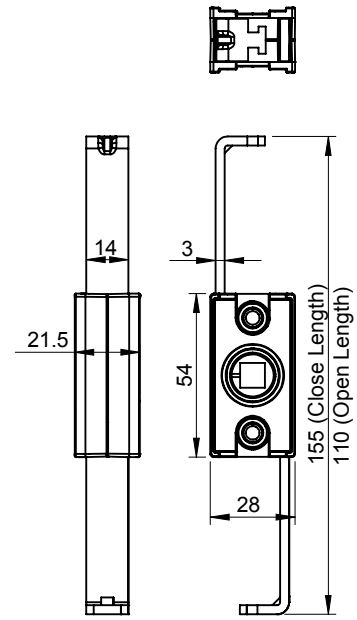
2020

Product Code	Base Material	Base Finish	Rod Material	Rod Finish	Travel Min to Max
D3REPL	Zinc	Raw	MS	Blue Zinc	300 to 350



## Three Point Locks

### Rack & Pinion

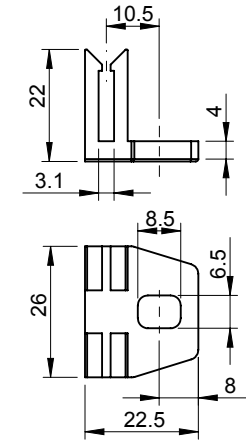


2020

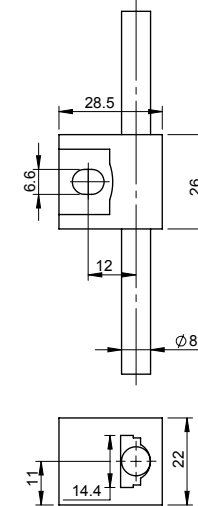
Product Code	Base Material	Base Finish	Rod Material	Rod Finish	Travel Min to Max
D5REPL	Zinc	Raw	MS	Blue Zinc	110 to 155

## Three Point Locks

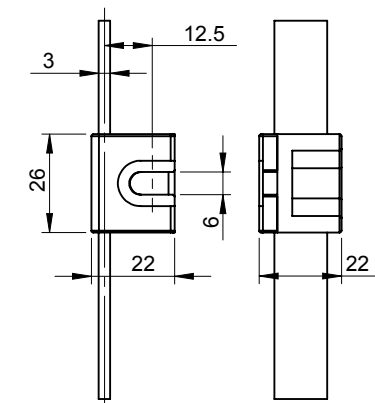
### 3 Point Lock Accessories



Product Code	Material	Description
D3RGF2	Polyamide	Flat Rod Guide



Product Code	Material	Description
D34RG	Polyamide	Round / Flat Rod Guide

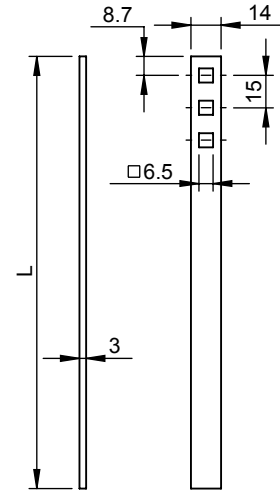


Product Code	Material	Description
D3RGF	Polyamide	Flat Rod Guide



## Three Point Locks

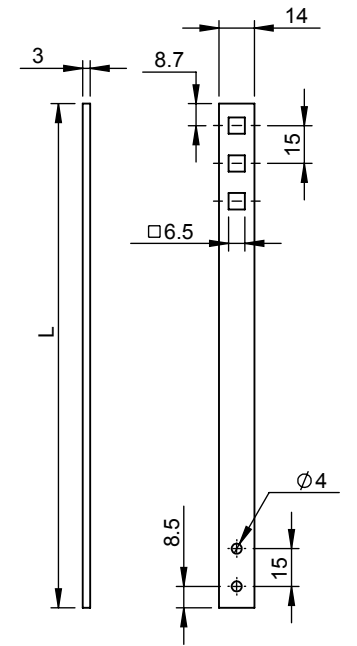
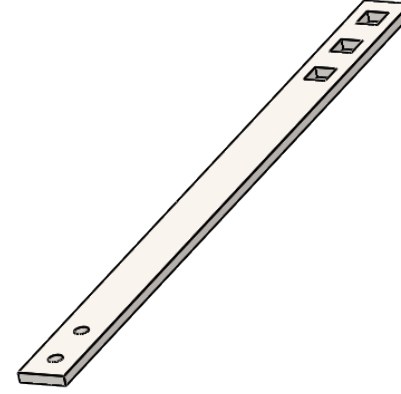
## Flat Rod



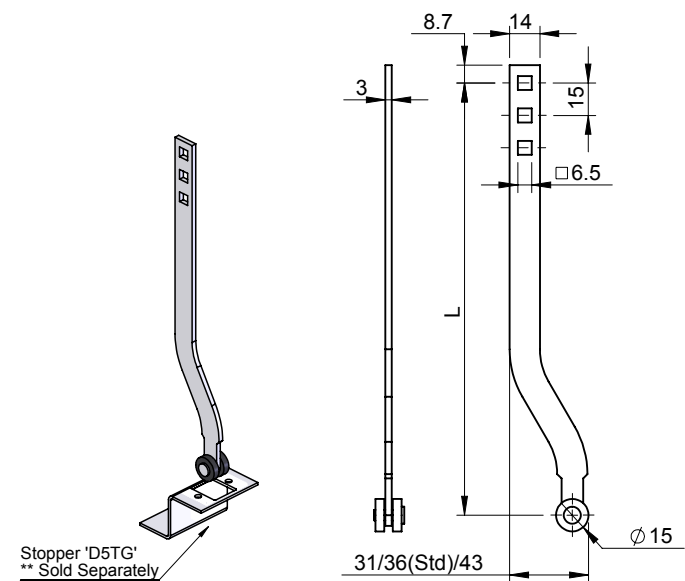
Product Code	Material	Finish
D3RL-A-L	MS	Nickel Plated

## Three Point Locks

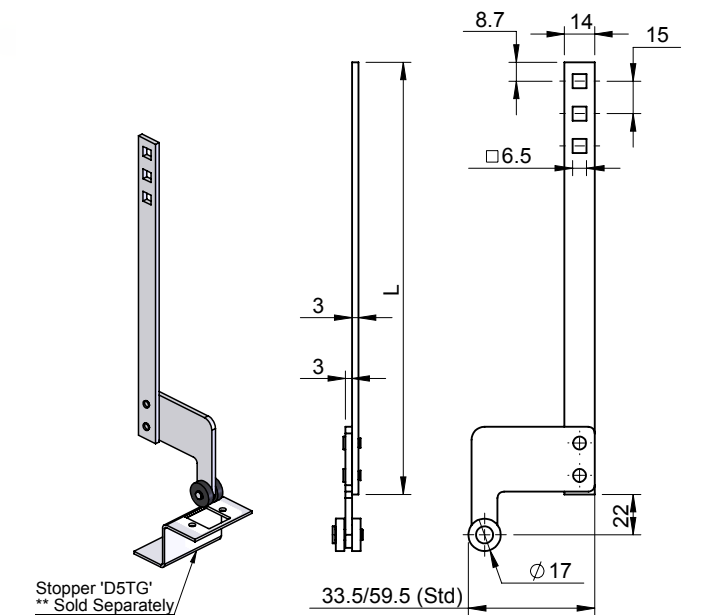
## Flat Rod



Product Code	Material	Finish
D3RL-AH-L	MS	Nickel Plated



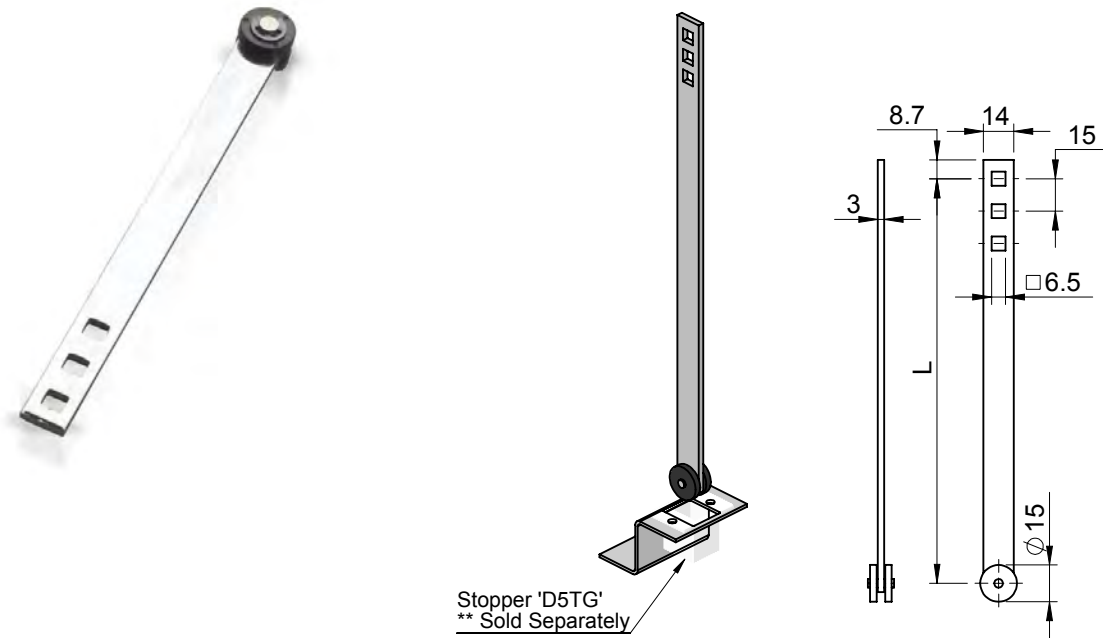
Product Code	Material	Finish
D3RL-L	MS	Nickel Plated



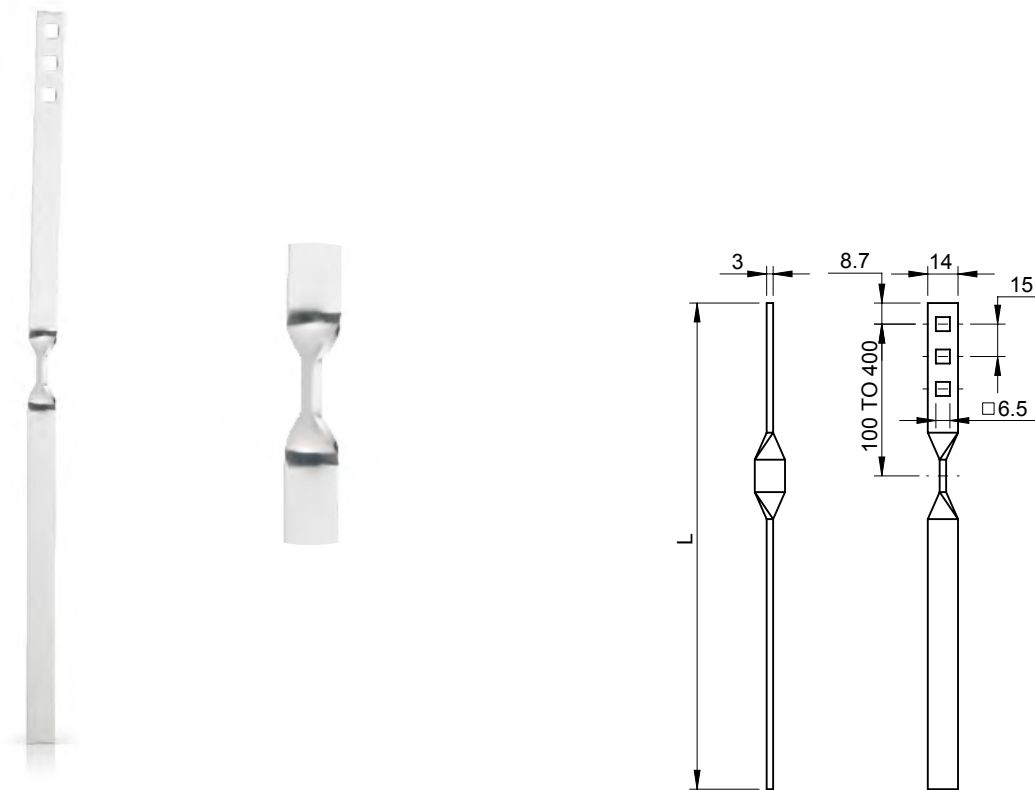
Product Code	Material	Finish
D3RL-AH-L With DROA-59.5	MS	Nickel Plated

## Three Point Locks

## Flat Rod



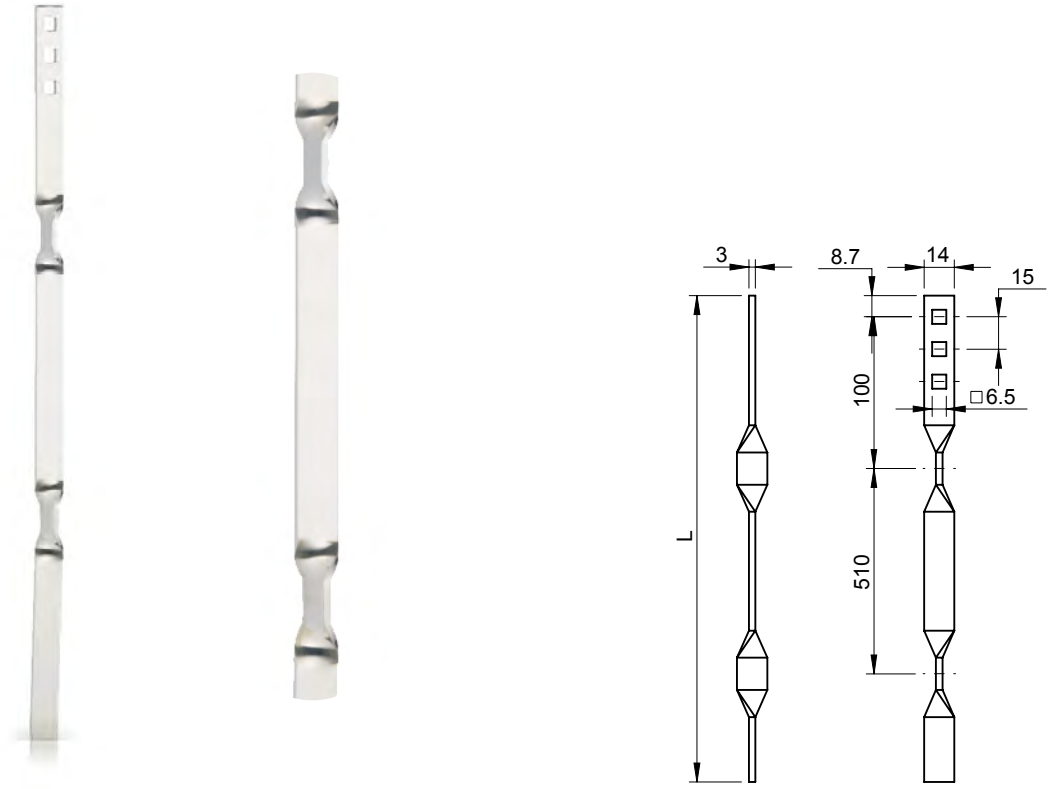
Product Code	Material	Finish
D3RL-AR-L	MS	Nickel Plated



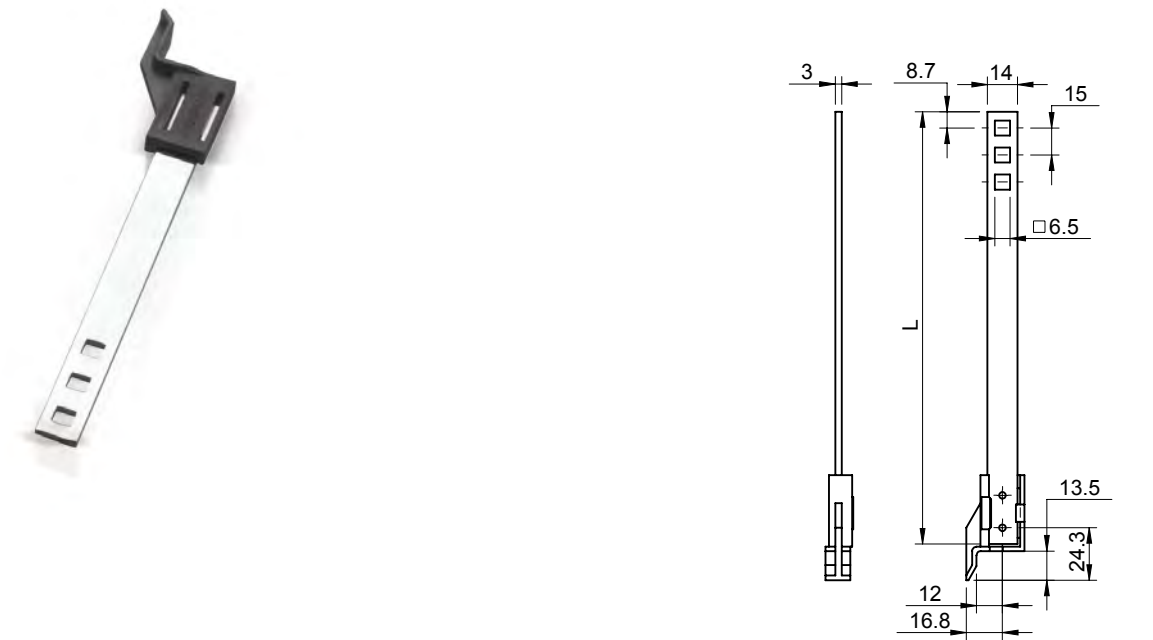
Product Code	Material	Finish
D3RL-ST-L	MS	Nickel Plated

## Three Point Locks

## Flat Rod



Product Code	Material	Finish
D3RL-T-L	MS	Nickel Plated

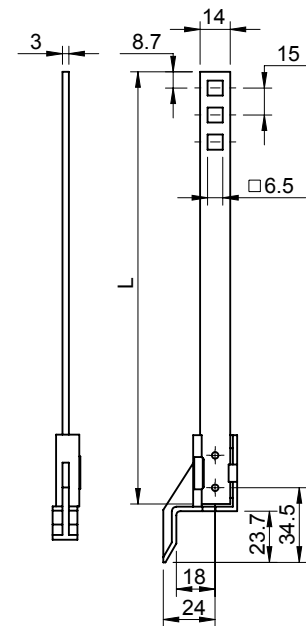


Product Code	Material	Finish
D3RL-FRE-1213	MS	Nickel Plated

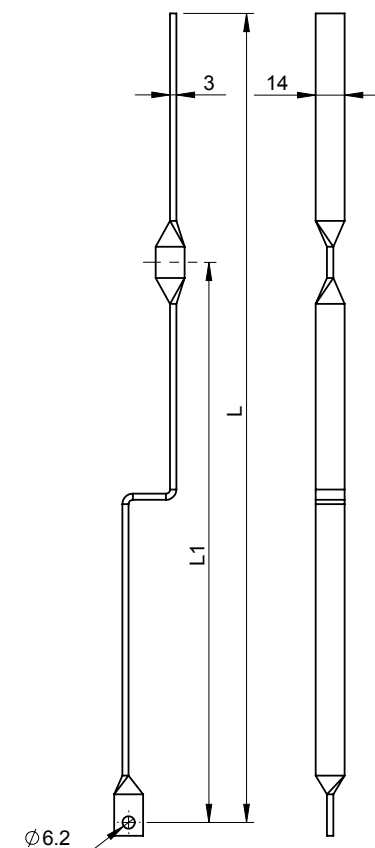


## Three Point Locks

## Flat Rod



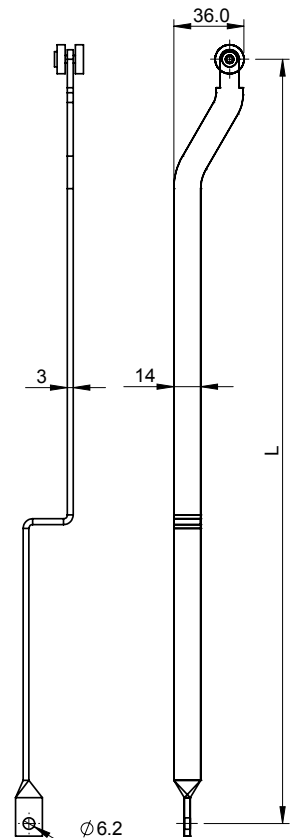
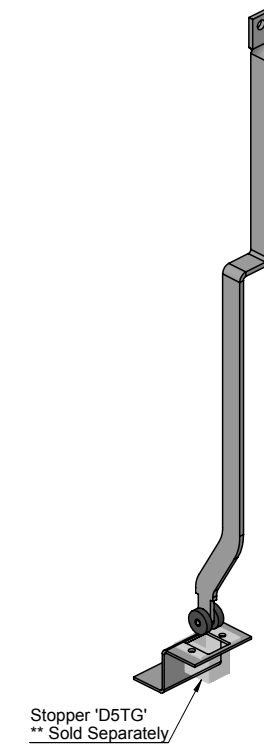
Product Code	Material	Finish
D3RL-FRE-1823	MS	Nickel Plated



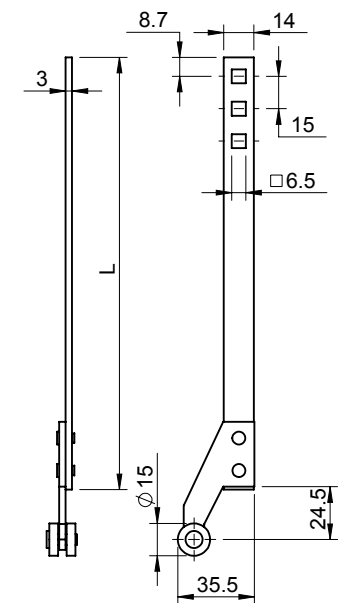
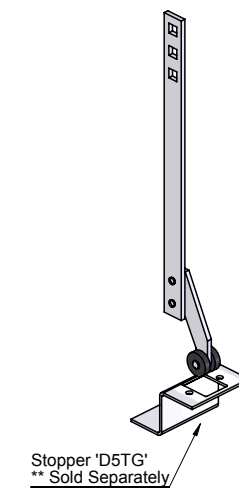
Product Code	Material	Finish
DCA-T-L	MS	Nickel Plated

## Three Point Locks

## Flat Rod



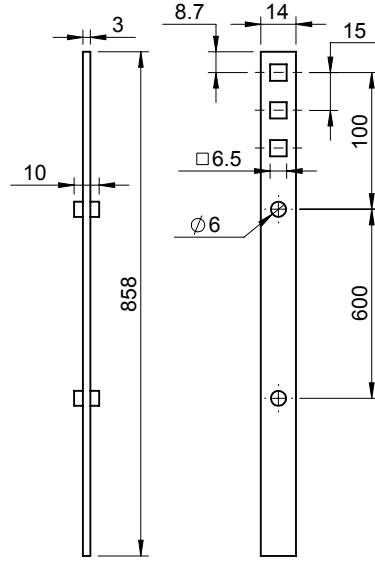
Product Code	Material	Finish
DCA-RL-L	MS	Nickel Plated



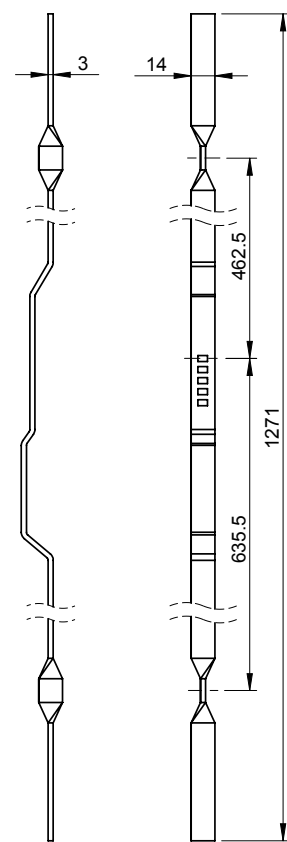
Product Code	Material	Finish
D3RL-A-L With D5C	MS	Nickel Plated

# Three Point Locks

## Flat Rod



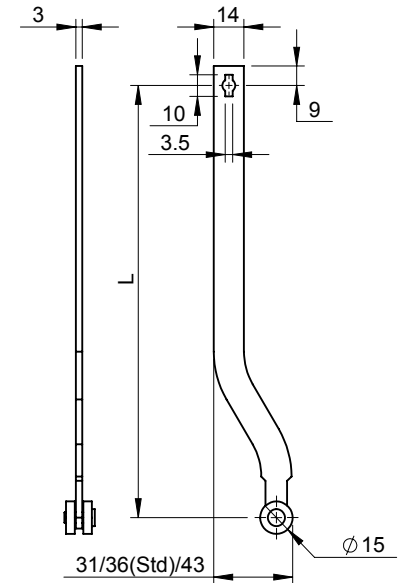
Product Code	Material	Finish	Description
D3RL-P-858	MS	Nickel Plated	Flat Rod



Product Code	Material	Finish
L-1271	MS	Nickel Plated

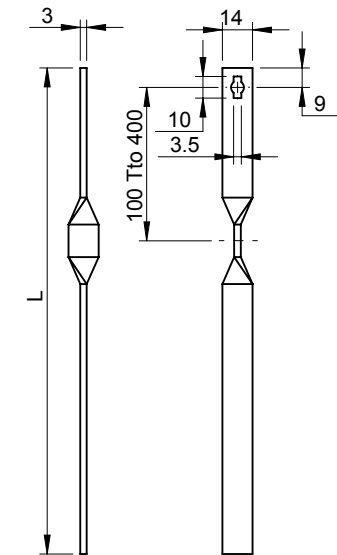
# Three Point Locks

## Flat Rod



2020

Product Code	Material	Finish
D3REL-L	MS	Nickel Plated
This type of Mounting are available in all types of Flat Rods		

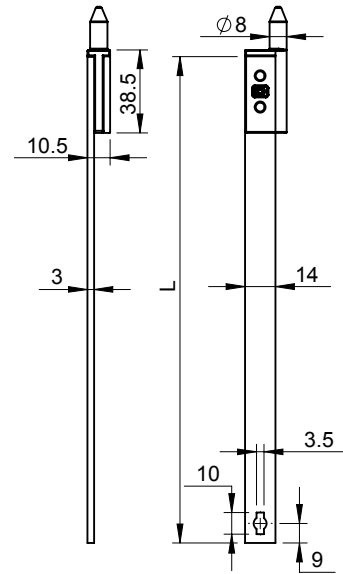


2020

Product Code	Material	Finish
D3REL-ST-L	MS	Nickel Plated
This type of Mounting are available in all types of Flat Rods		

## Three Point Locks

### Flat Rod



2020

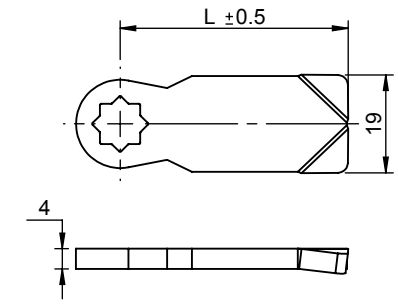
Product Code	Material	Finish
D3REL-ST-L	MS	Nickel Plated
This type of Mounting are available in all types of Flat Rods		

## Three Point Locks

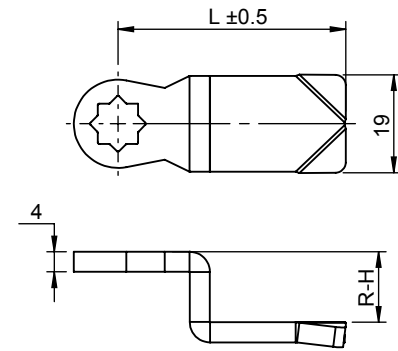
### Accessories



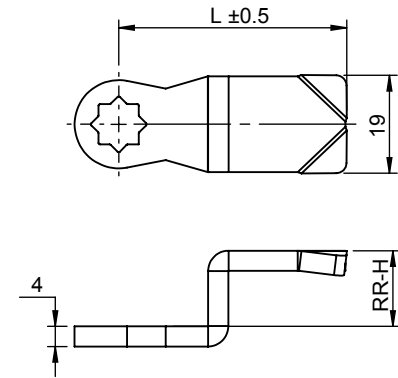
MR



MR-H



MRR-H



MR or MRR	H					
	2	6	10	17	27	40
3	7	11	20	30	42	
4	8	12	22	32	56	
5	9	15	25	36	-	

Also available in Stainless Steel on a minimum order of 100 nos as part no **SR / SR-H / SRR-H**.

Std. L : 45mm

Various lengths are available on a minimum order of 200 nos.

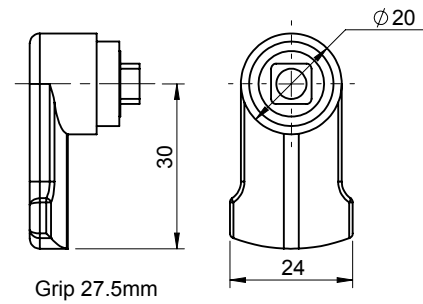
Product Code	Material	Finish	Description
MR	MS	Yellow Zinc	Cam
MR-H	MS	Yellow Zinc	Cam
MRR-H	MS	Yellow Zinc	Cam

Add 'BZ' for Blue Zinc Plating

Also available in Stainless Steel on a minimum order of 100 nos as part no SR / SR-H / SRR-H

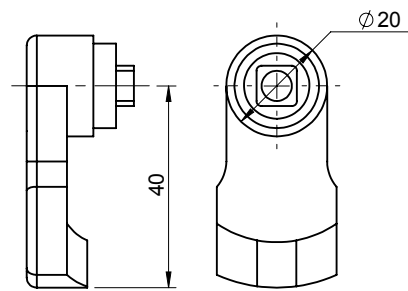
## Three Point Locks

### Accessories



Grip 27.5mm

Product Code	Material	Finish	Description
<b>ZCL</b>	Zinc	Raw Finish	Cam



Grip 22mm

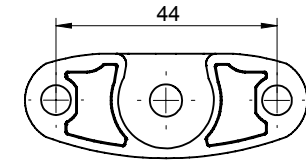
Product Code	Material	Finish	Description
<b>ZCL1</b>	Zinc	Raw Finish	Cam



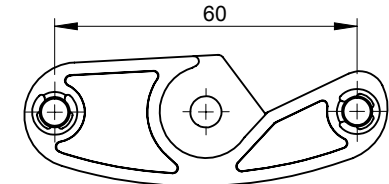
Product Code	Material	Finish	Description
<b>D3ZSP</b>	Zinc	Raw Finish	Spacer

## Three Point Locks

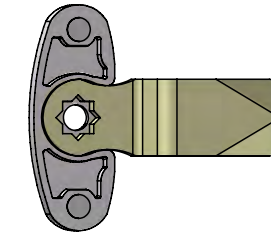
### Accessories



CA1



CA3-L



Product Code	Material	Finish	Description
<b>CA1</b>	Zinc	Yellow Zinc	Cam
<b>CA3-L</b>	SS-304	Sand Blasting	Cam
<b>CA3-R</b>	SS-304	Sand Blasting	Cam



## Three Point Locks

### Swing Handles System - Round Rod



D4SP

D4SSLG

D4SP-L

D4SML-CH

D4SHL



D4SL-CY1

D4SHL-CY2

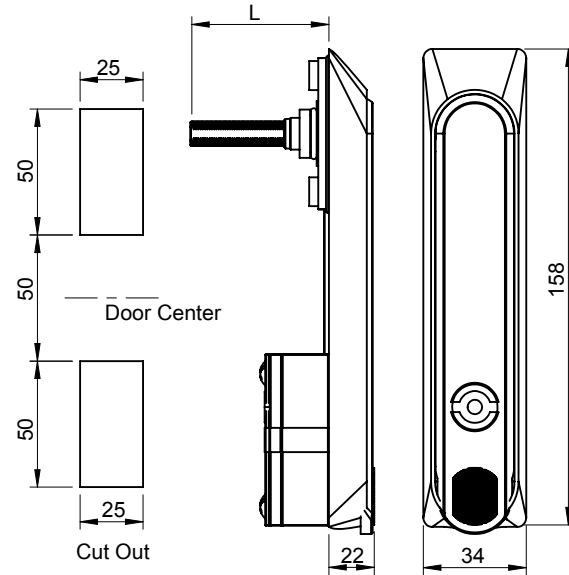
D4SML-CY2T

D4C5

D4SL



D4SLG



Product Code	Material	Type	Key
D4SP	Polyamide	With Plug	-
D4SSLG	Polyamide	With Shutter Acrylic Branding Plate	D-1333
D4SP-L	Polyamide	With Pad Lock	-
D4SML-CH	Polyamide & Zinc	Die Cast Handle	D-1333
D4SHL	Polyamide	With Shroud	D-1333
D4SL-CY1	Polyamide	With Profile Cylinder	D-1333
D4SHL-CY2	Polyamide	With Profile Cylinder & With Insert	DB5K
D4SML-CY2T	Polyamide & Zinc	With Profile Cylinder & With 'T' Insert	DBTK
D4C5	Polyamide	With Insert	DB5K
D4SL	Polyamide	With Key	D-1333
D4SLG	Polyamide	With Acrylic Branding Plate	D-1333

## Three Point Locks

### Swing Handles System - Round Rod

DMLK6  
Regular BarrelDMLK6  
Combination BarrelDMLK6  
Shutter Barrel

Product Code	Material	Finish	Type	Description
DMLK6 Regular Barrel	Zinc	CH	Regular	Standard Key Lock
DMLK6 Combination Barrel	Zinc	CH	Combination	For Combination Lock Number will be Marked on the Barrel & Key
DMLK6 Shutter Barrel	Zinc		Shutter	Add SS for Shutter SS Version to be ordered separately. Applicable for Key D-1333 Series.



CY1



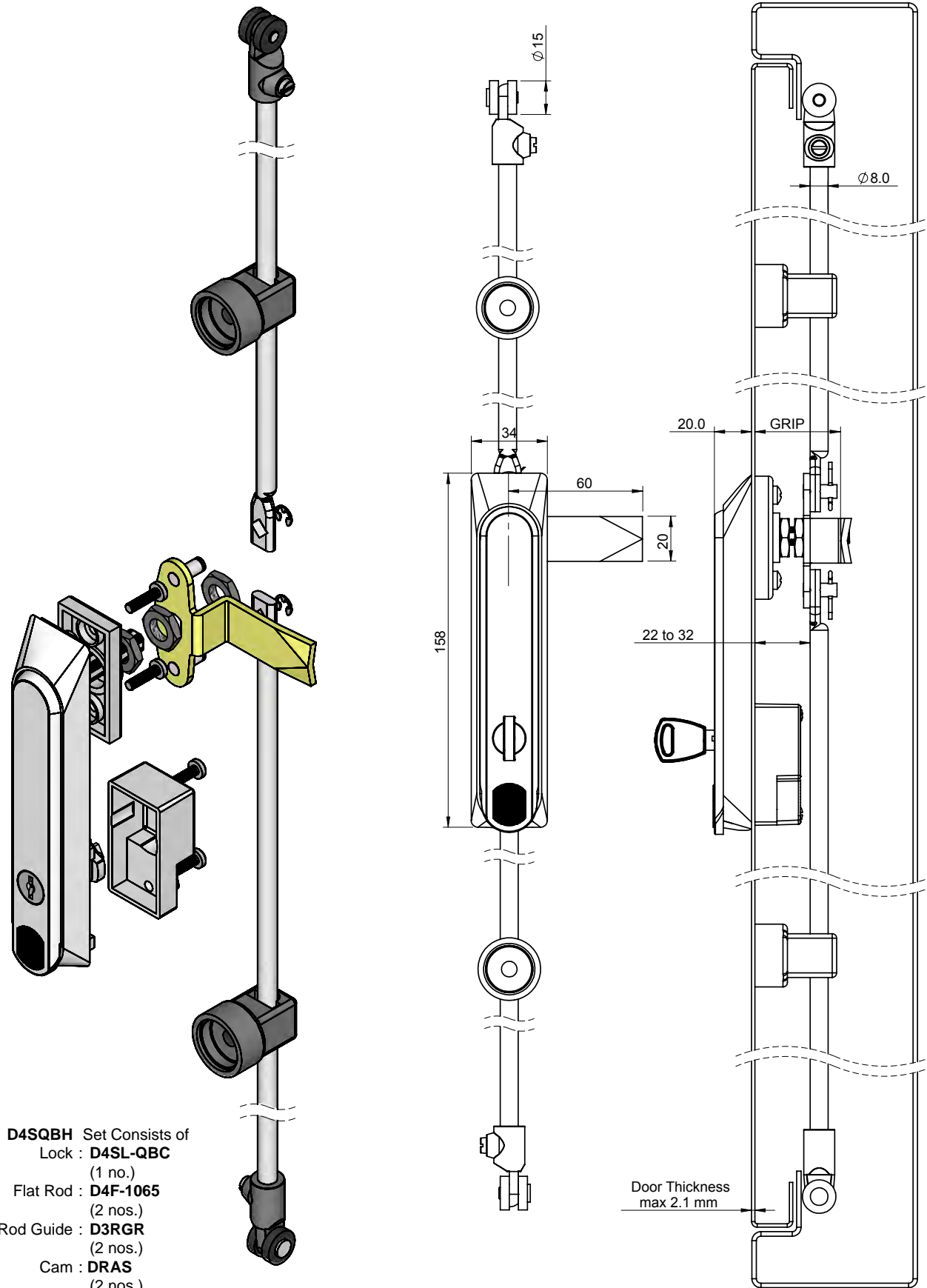
CY2



CY2T

Product Code	Material	Finish	Key
CY1	Zinc	CH	D-1333
CY2	Zinc	CH	DB5K
CY2T	Zinc	CH	DBTK

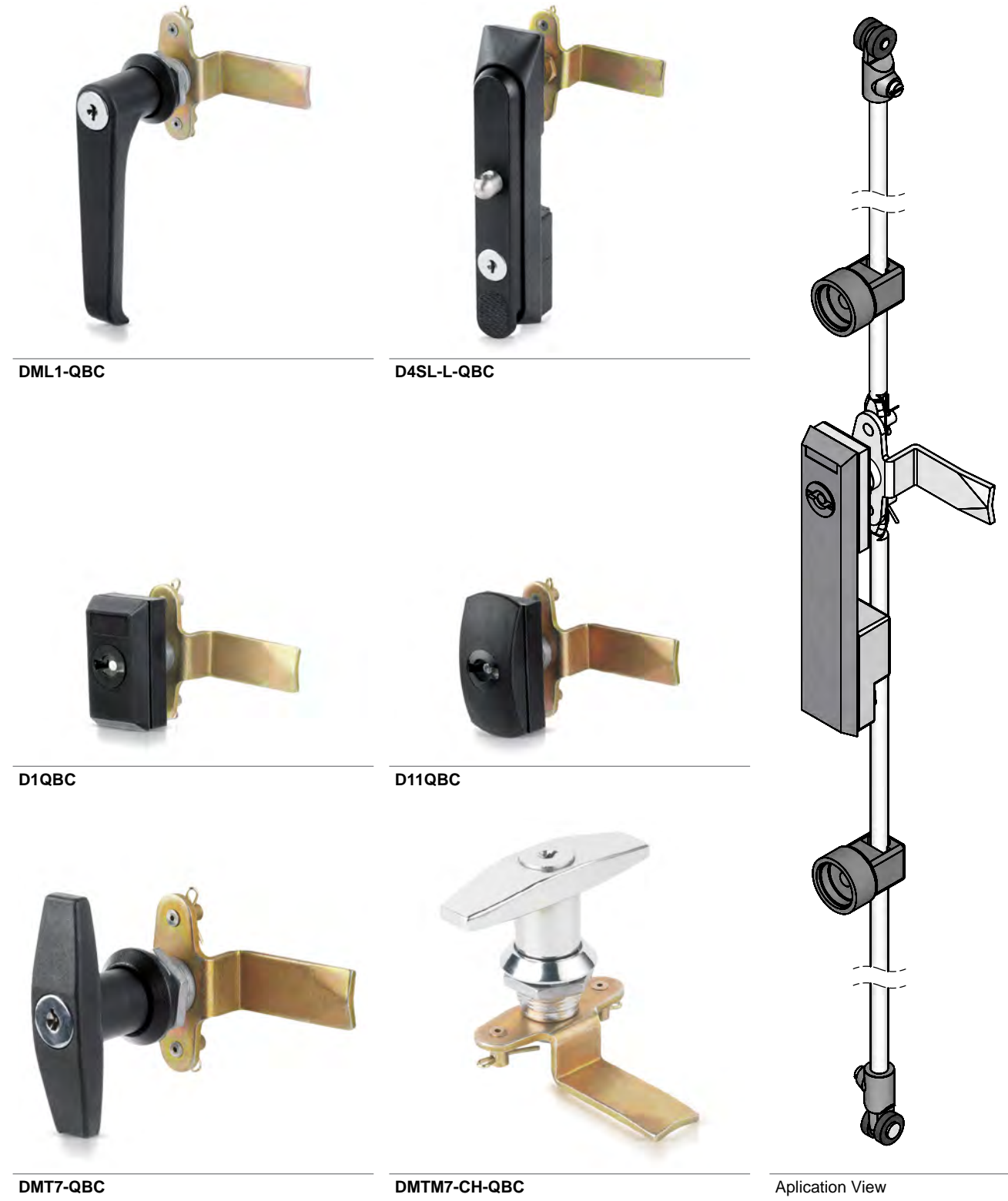
### Three Point Locks 3 Point Lock System Round Rods



- D4SQBH** Set Consists of  
 Lock : **D4SL-QBC**  
 (1 no.)  
 Flat Rod : **D4F-1065**  
 (2 nos.)  
 Rod Guide : **D3RGR**  
 (2 nos.)  
 Cam : **DRAS**  
 (2 nos.)

Product Code	Material	Key
<b>D4SQBH</b>	Polyamide	D-1333

### Three Point Locks 3 Point Lock System Round Rods



DML1-QBC

D4SL-L-QBC

D1QBC

D11QBC

DMT7-QBC

DMTM7-CH-QBC

Application View

- QBH** Set Consists of  
 Rod : **D4F-1065**  
 (2 no.)  
 Rod Guide : **D3RGR**  
 (2 no.)  
 Adaptor : **DRAS**  
 (2 nos.)

### Three Point Locks

#### 3 Point Lock System Round Rods



DML2-L-QBC



DML-3-LCH-LC8-L45-BZ



D4SL-CA1-MR18-L60



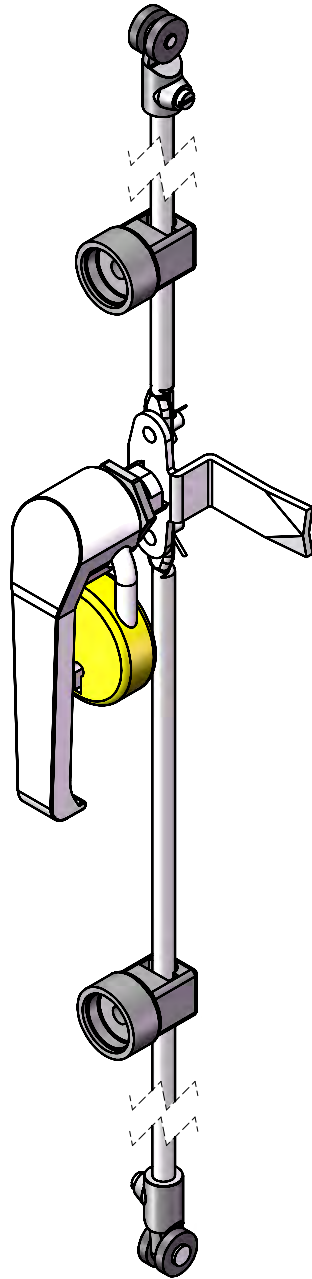
D4C5-QBC



DML1M-CH-QBC



DM6L1M-QBC-CR-CH

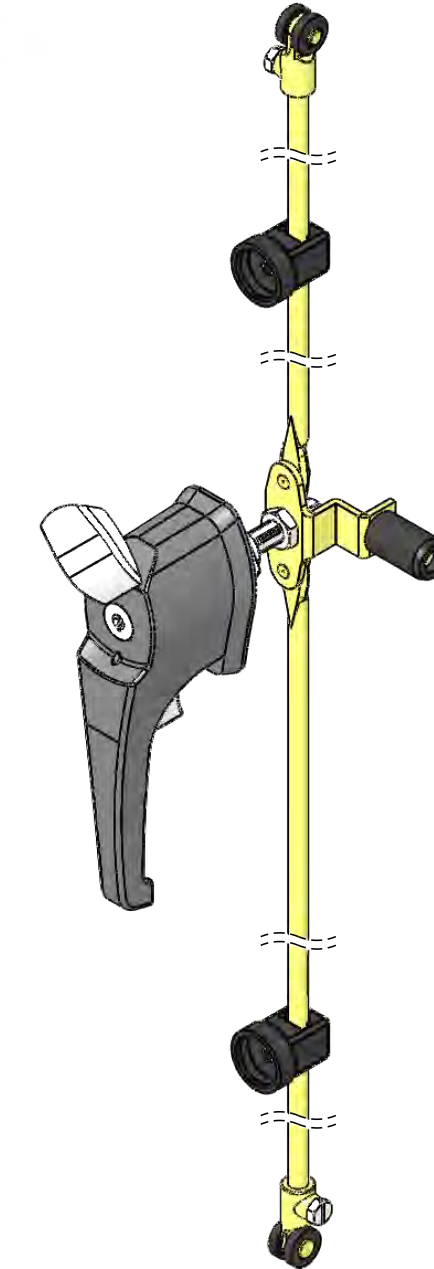


Application View

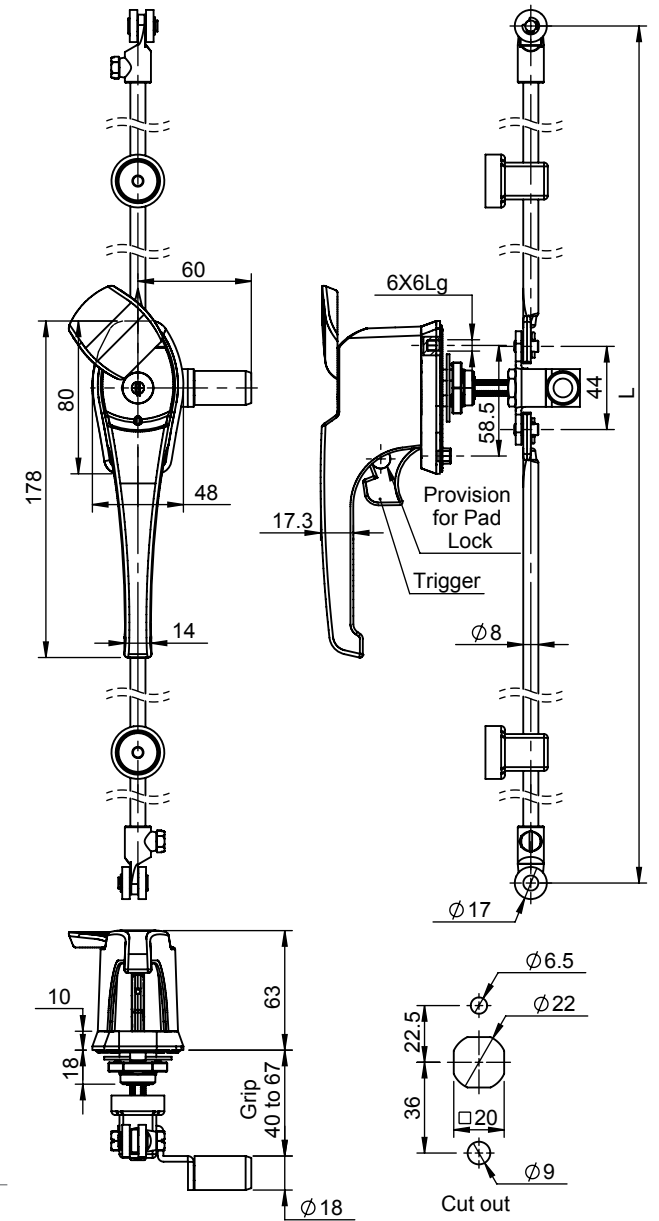
QBH Set Consists of  
 Rod : **D4F-1065**  
 (2 no.)  
 Rod Guide : **D3RGR**  
 (2 no.)  
 Adaptor : **DRAS**  
 (2 nos.)

### Three Point Locks

#### Pad Lock 'L' Handle



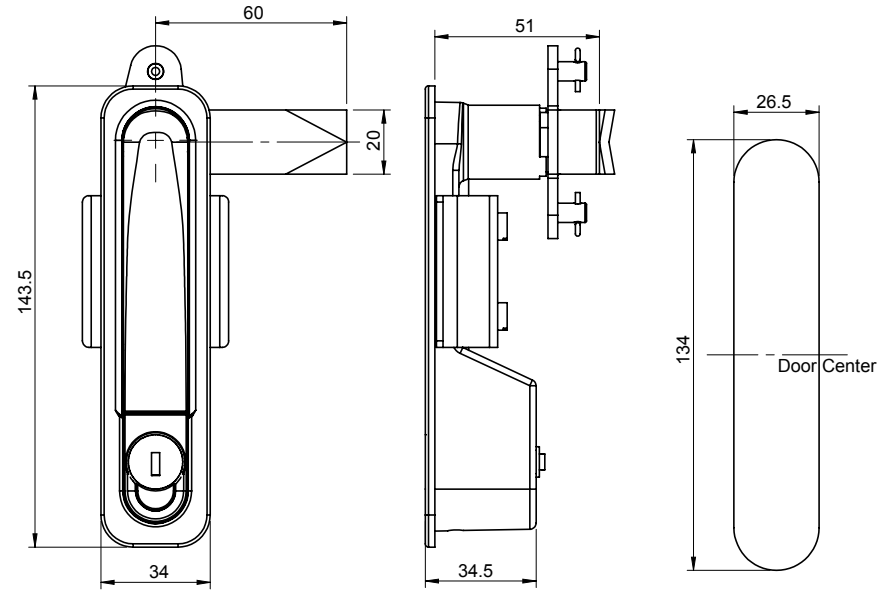
Application View



Product Code	Material	Finish	Key	Description
DML6-K-S-10x72-QBC-CR	Zinc	Black PC	D-1333	Pad Lock 'L' Handle

### Three Point Locks

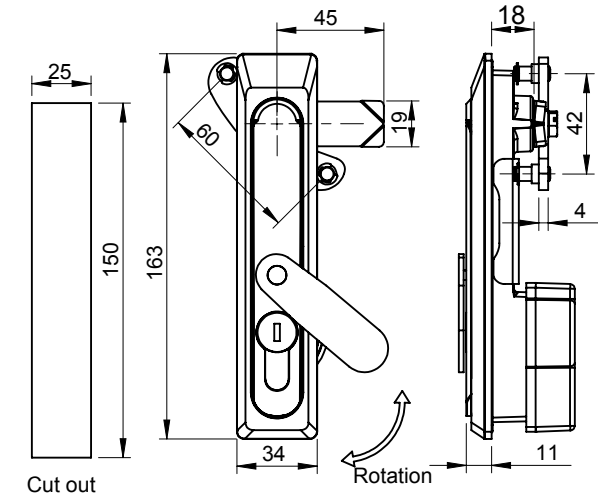
#### Swing Handle-D14



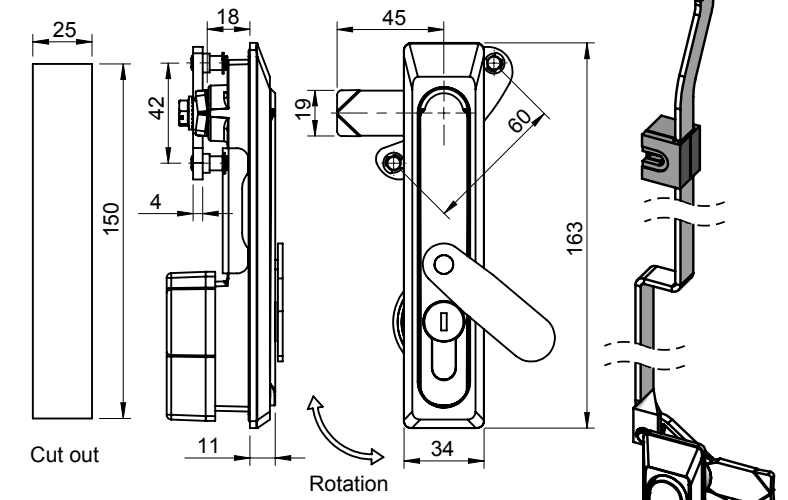
Product Code	Material	Finish	Key	Description
D14SL-QBC-L-PC	Zinc	Black PC	D-1333-M	Push to Lock

### Three Point Locks

#### Swing Handle-D15



D15SCY1-SH-SS-CA3-SR-L



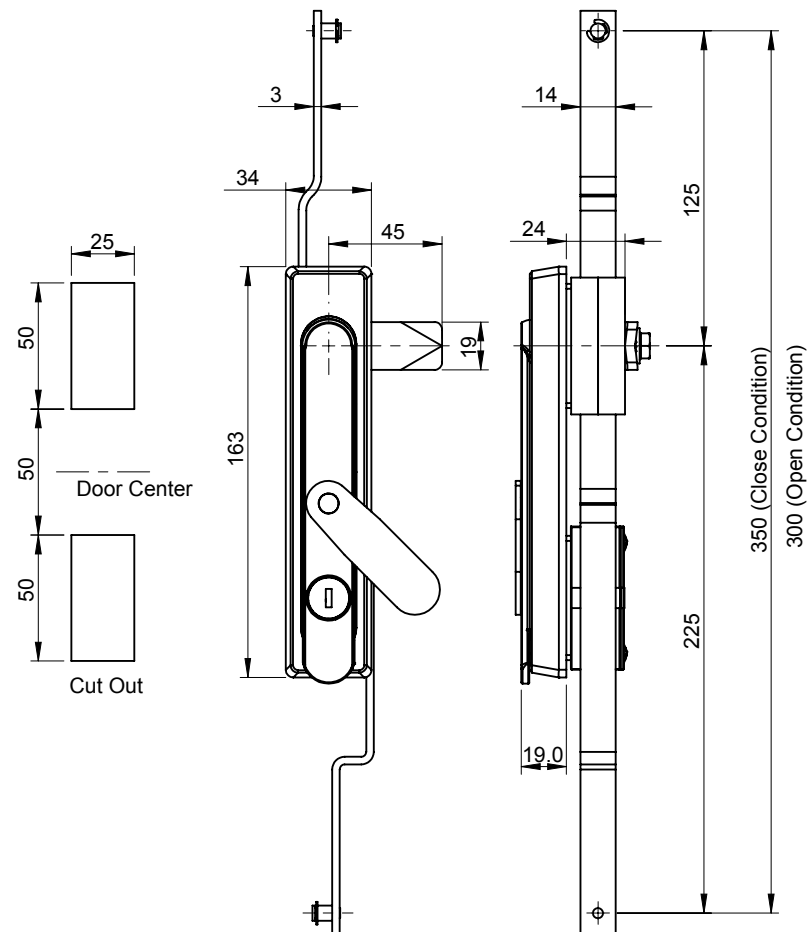
D15SCY1-SH-SS-CA3-SR-R

Product Code	Material	Finish	Key	Description
D15SCY1-SH-SS-CA3-SR-L	SS-304	Electro Polishing	D-1333-M	Push to Lock
D15SCY1-SH-SS-CA3-SR-R	SS-304	Electro Polishing	D-1333-M	Push to Lock



## Three Point Locks

## Swing Handle-D40



Product Code	Material	Finish	Key	Description
<b>D40SR3SL-SH-SS-SR</b>	SS-304	Electro Polishing	D-1333-M	Swing Handle

## Three Point Locks

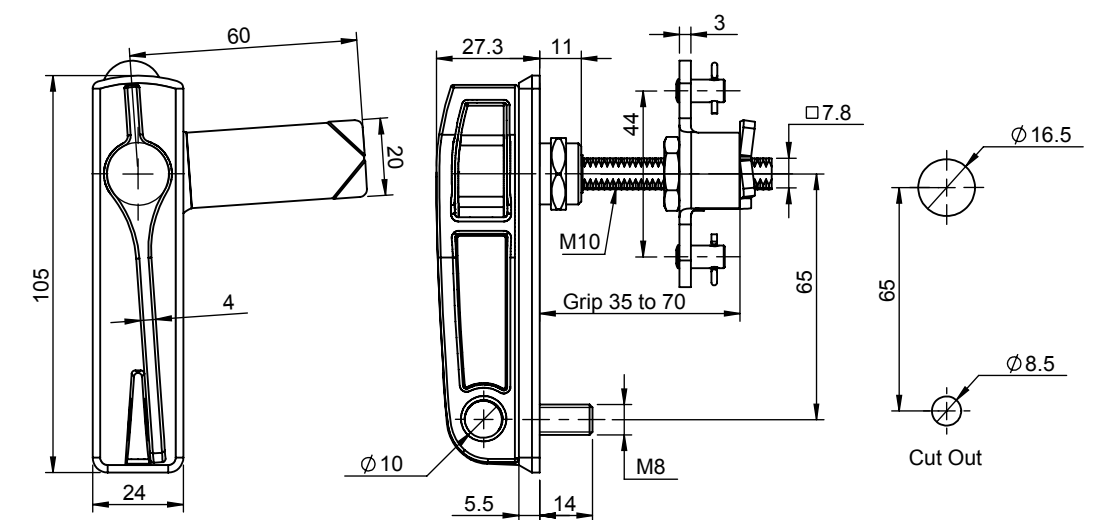
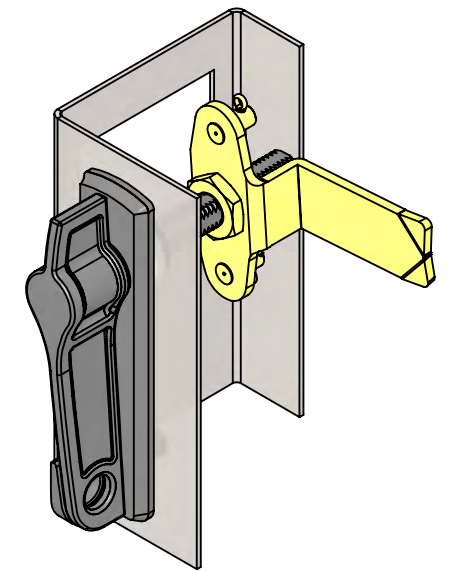
## Pad Lock Handle-DM17



DM17-L-S-10x50-QBC-L-PC



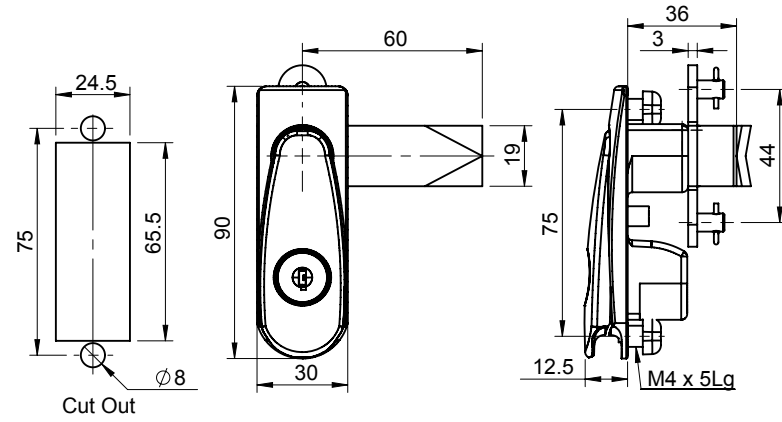
DM17-L-S-10x50-QBC-R-PC



Product Code	Material	Finish	Description
<b>DM17-L-S-10X50-QBC-L-PC</b>	Zinc	Black PC	Anti-Clockwise Version
<b>DM17-L-S-10X50-QBC-R-PC</b>	Zinc	Black PC	Clockwise Version

## Three Point Locks

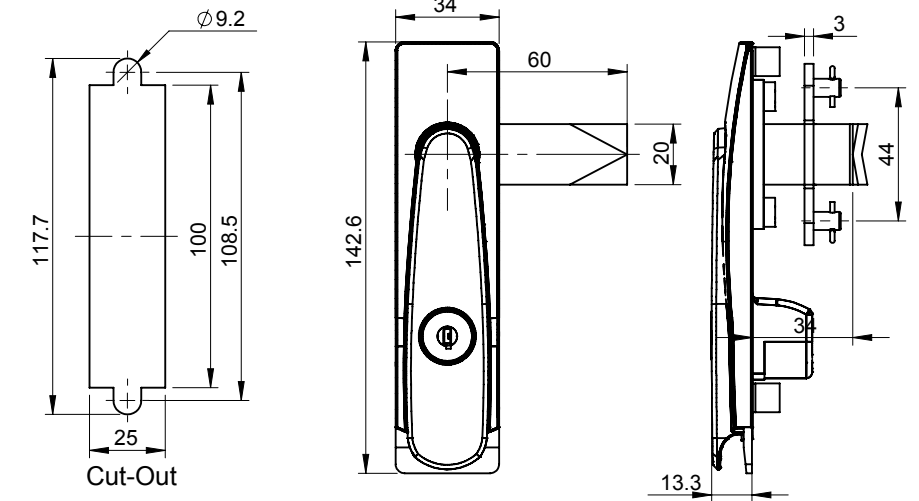
## Swing Handle-D18



Product Code	Material	Key
D18SL-QBC-L	Polyamide	D-1333
D18SL-QBC-R	Polyamide	D-1333
D18SL-SS-QBC-L	Polyamide	D-1333
D18SL-SS-QBC-R	Polyamide	D-1333
D18CSL-QBC-L	Polyamide	D-1333
D18CSL-QBC-R	Polyamide	D-1333
D18CSL-SS-QBC-L	Polyamide	D-1333
D18CSL-SS-QBC-R	Polyamide	D-1333

## Three Point Locks

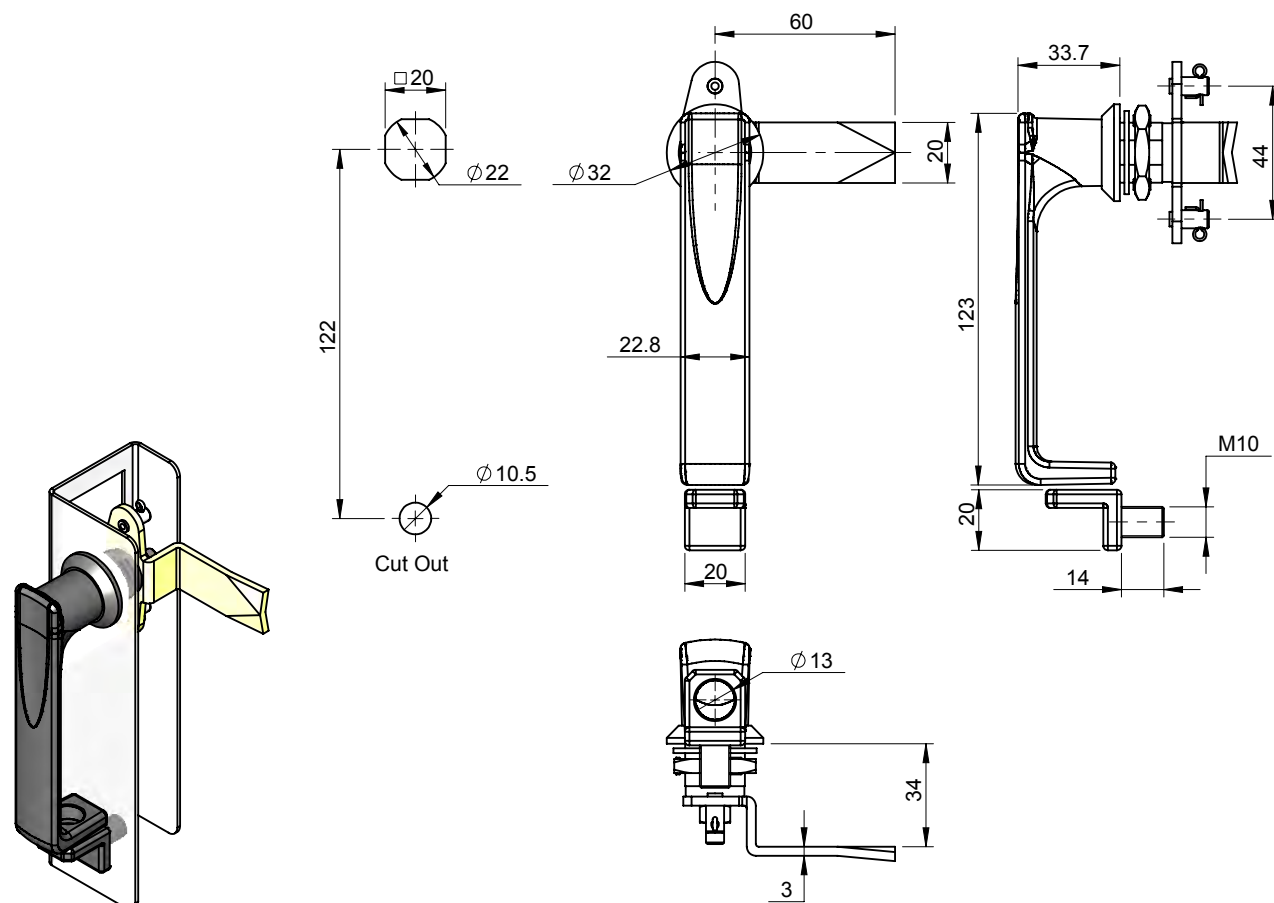
## Swing Handle-D21



Product Code	Material	Key
D21SL-13B-QBC	Polyamide	D-1333

## Three Point Locks

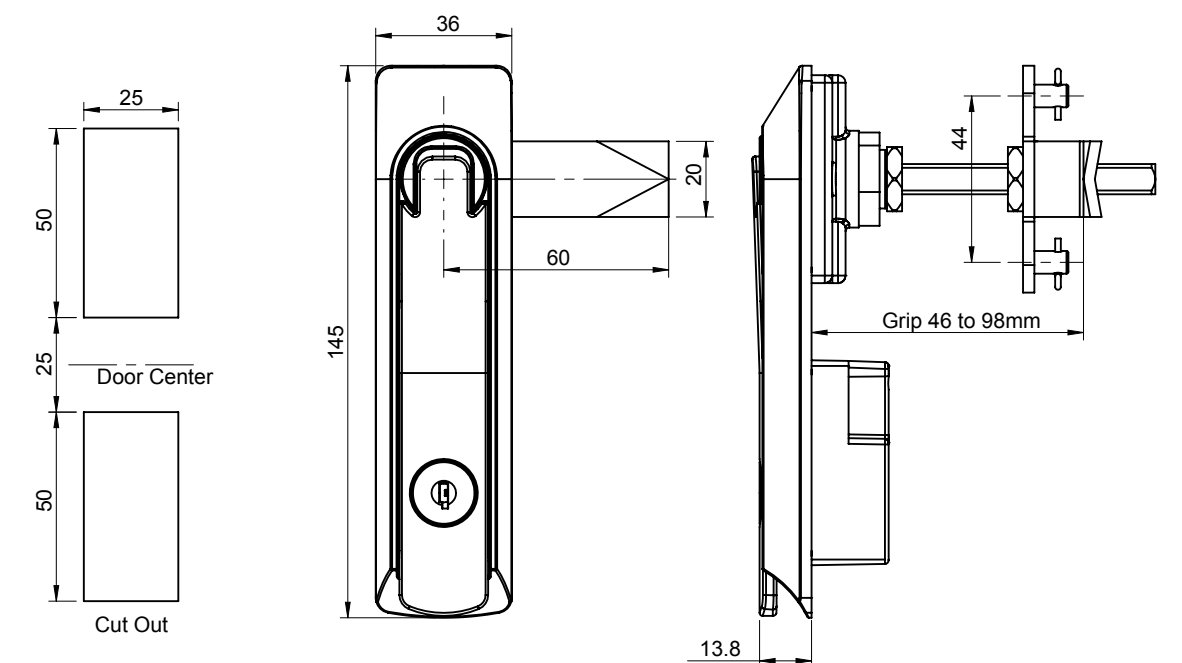
## Pad Lock Handle-DM25



Product Code	Material	Finish
DM25-L-QBC-PC	Zinc	Black PC

## Three Point Locks

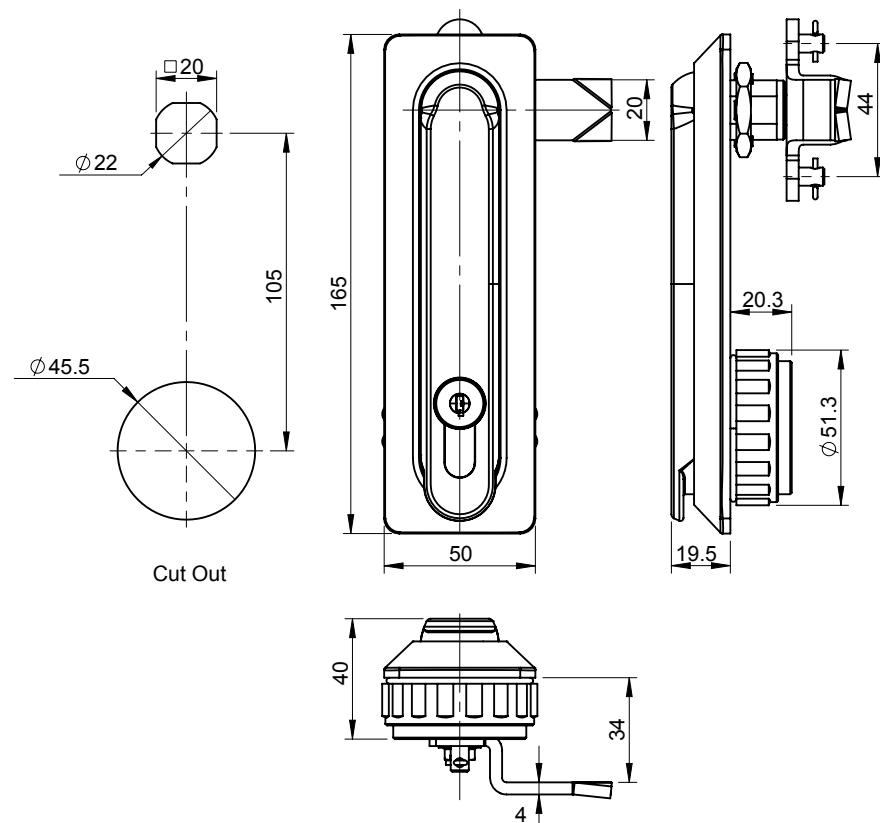
## Swing Handle-DM27



Product Code	Material	Finish	Key
DM27-K-S-10x75-QBC-CH	Zinc	CH	D-1333

## Three Point Locks

## Swing Handle-D39



Product Code	Material	Key
D39SL-QBC	Polyamide	D-1333

## Three Point Locks

## Swing Handle-DM47



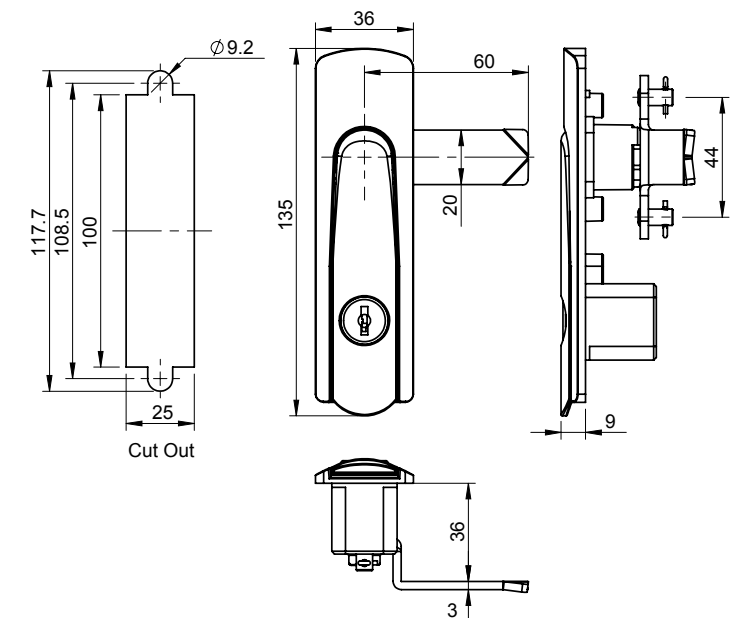
D47SL-QBC-BZ



DM47SL-QBC-PC-BZ



DM47SL-QBC-PC-Gray-BZ



2020

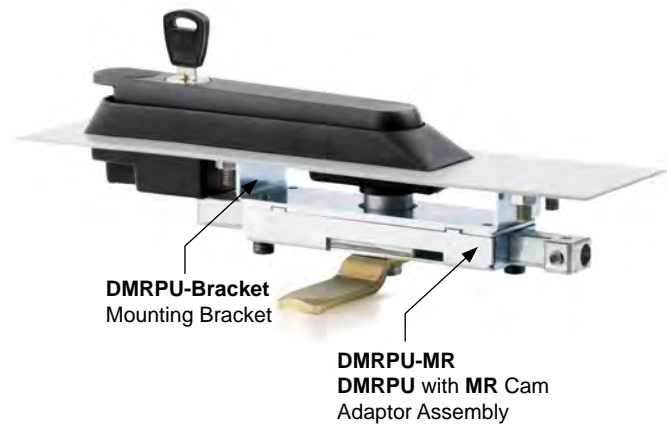
Product Code	Material	Finish
D47SL-QBC-BZ		
DM47SL-QBC-PC-BZ		
DM47SL-QBC-PC-Gray-BZ		





### Three Point Locks

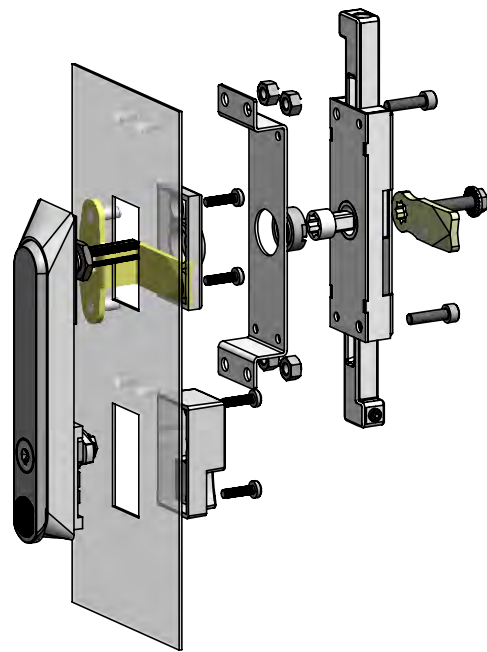
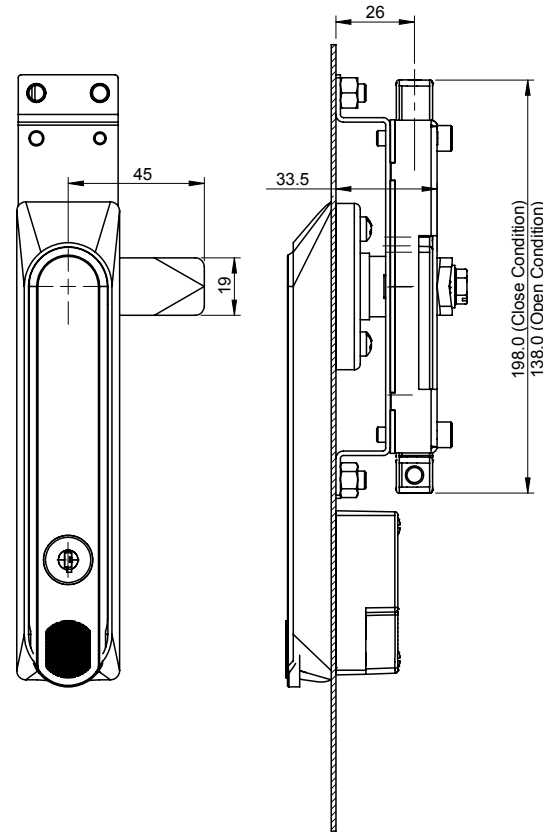
#### Rack & Pinion-DMRPU



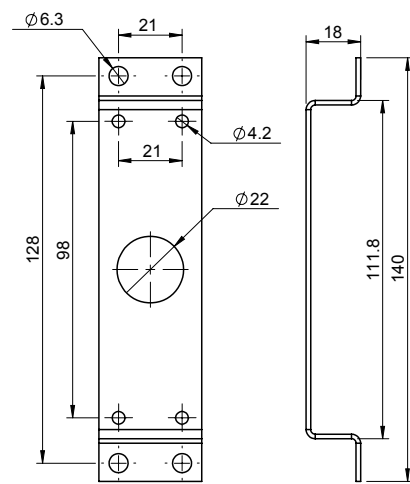
Application View



DMRPU Bracket



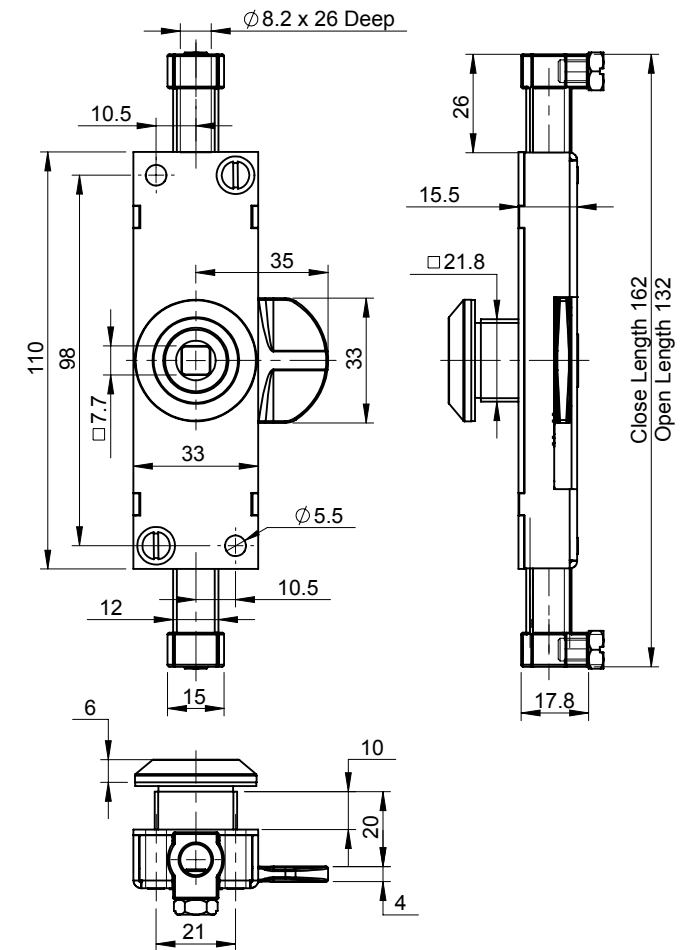
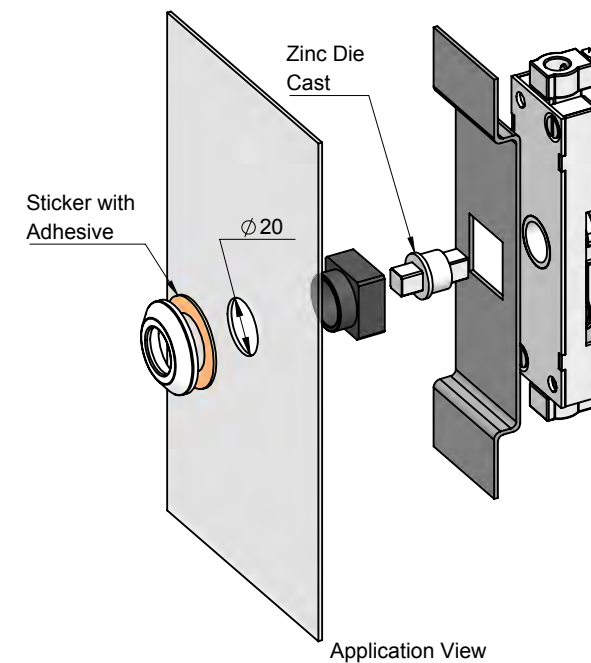
Assembly Exploded View



Product Code	Material	Finish	Description
DMRPU-MR	MS	Blue Zinc	With MR Cam, Threaded Version
DMRPU Bracket	MS	Blue Zinc	Mounting Bracket

### Three Point Locks

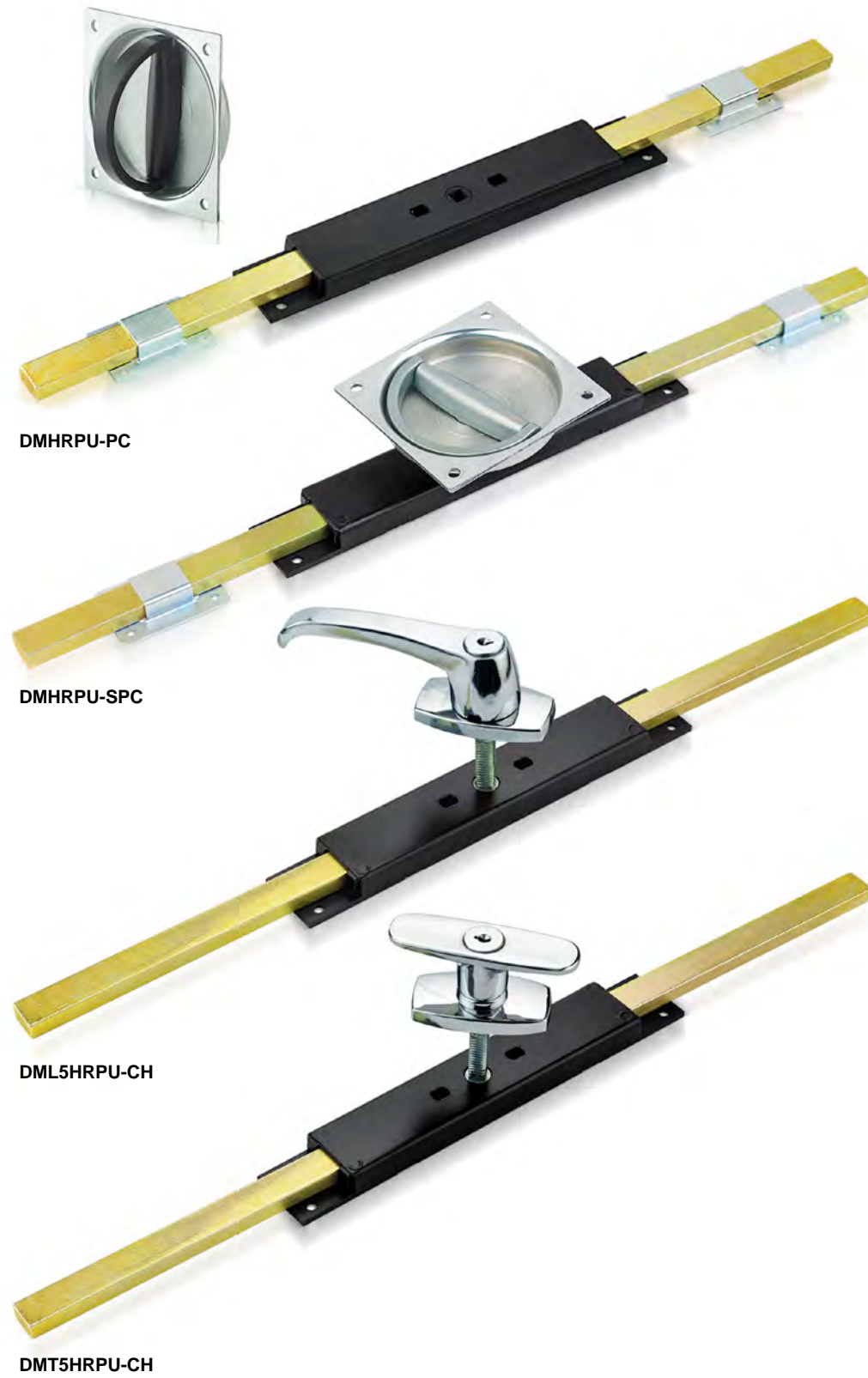
#### Rack & Pinion-DMRPU



Product Code	Material	Finish
DMRPU90-ZC-SU	Zinc	Blue Zinc

## Three Point Locks

## Rack &amp; Pinion-DMHRPU

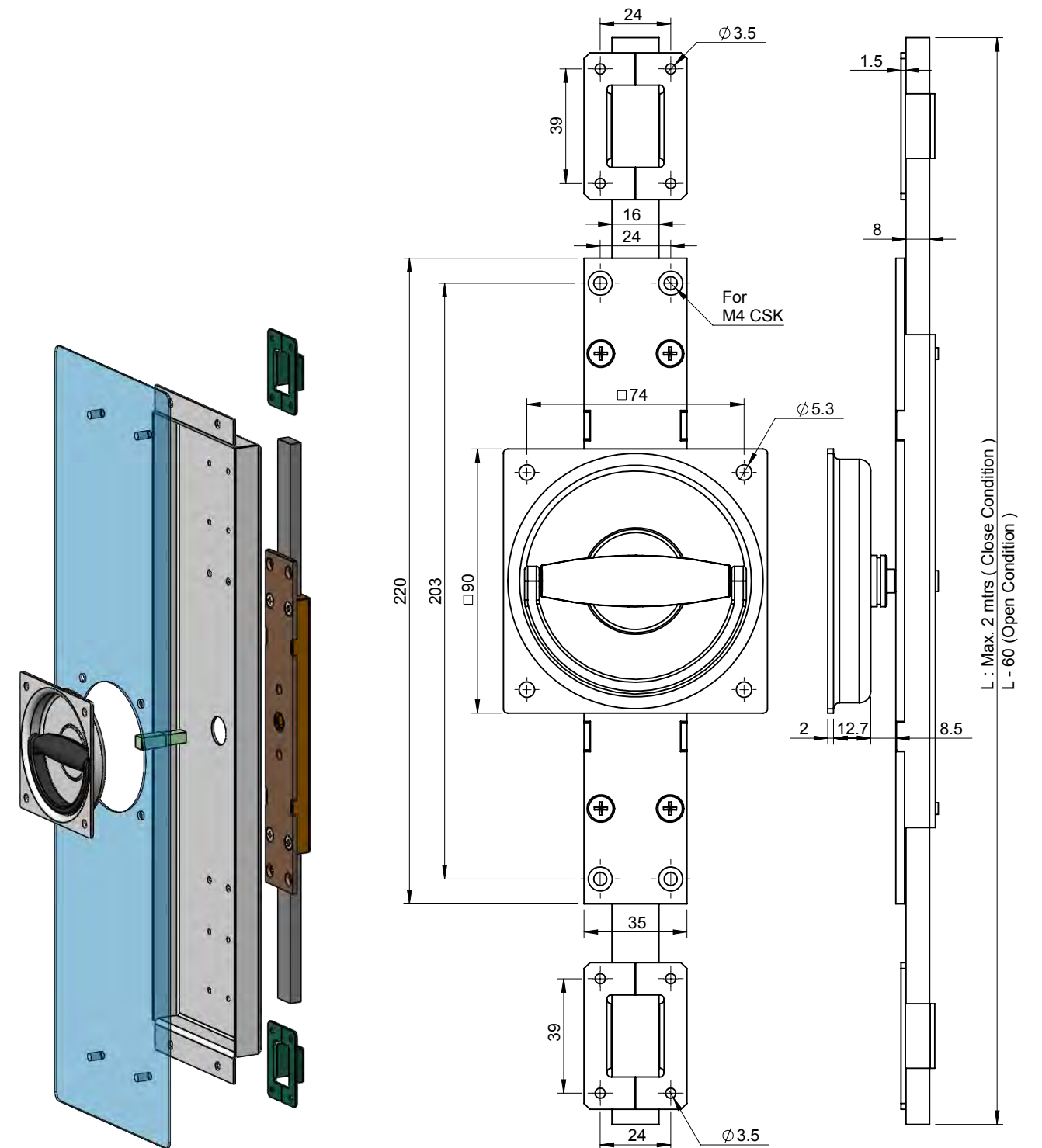


2020

Product Code	Material	Finish	Description
DMHRPU-PC			
DMHRPU-SPC			
DML5HRPU-CH			
DMT5HRPU-CH			

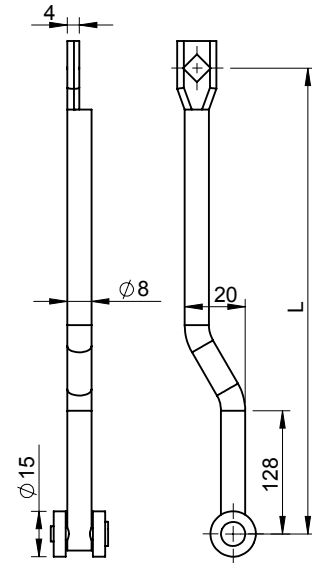
## Three Point Locks

## Rack &amp; Pinion-DMHRPU

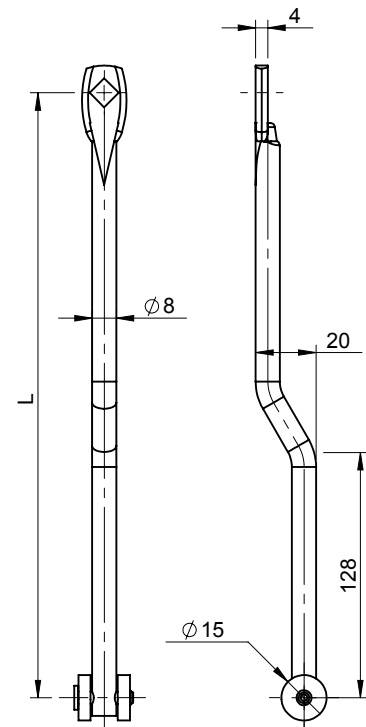


## Three Point Locks

## Round Rod



Product Code	Material	Finish
D4FAR20-L	MS	Yellow Zinc



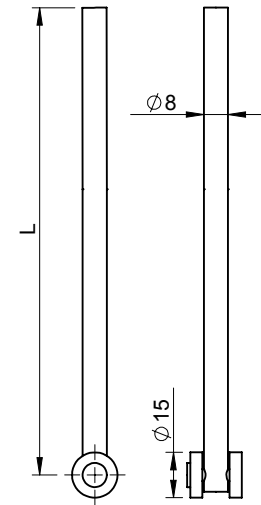
Product Code	Material	Finish
D4FARQ20-L	MS	Yellow Zinc

## Three Point Locks

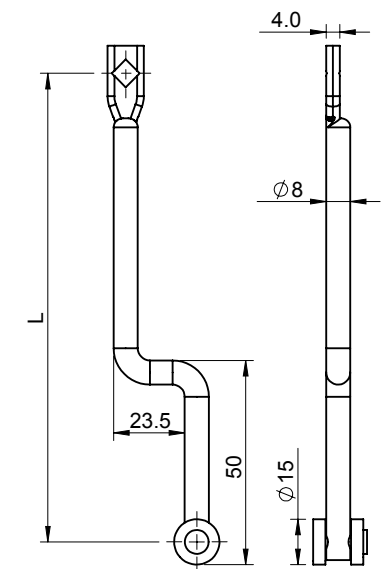
## Round Rod



DRA



Product Code	Material	Finish	Description
D4DR-L	MS	Yellow Zinc	-
DRA	Zinc	Yellow Zinc	Only adapters are also available for use with your own rods

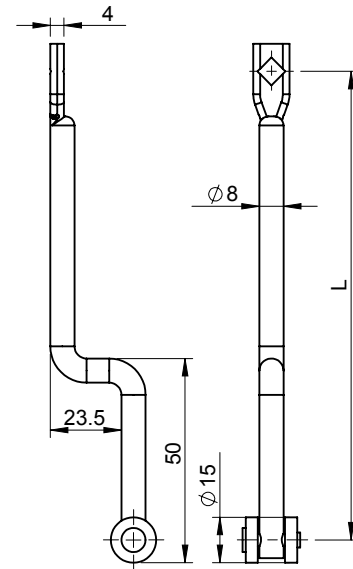


Product Code	Material	Finish
D4FOR-L	MS	Yellow Zinc



## Three Point Locks

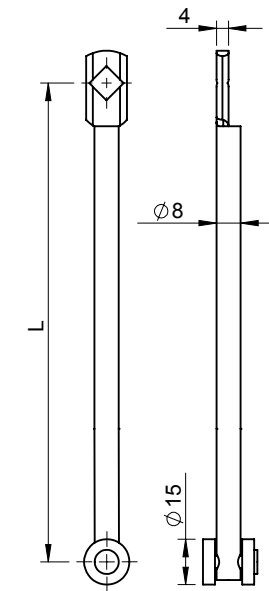
## Round Rod



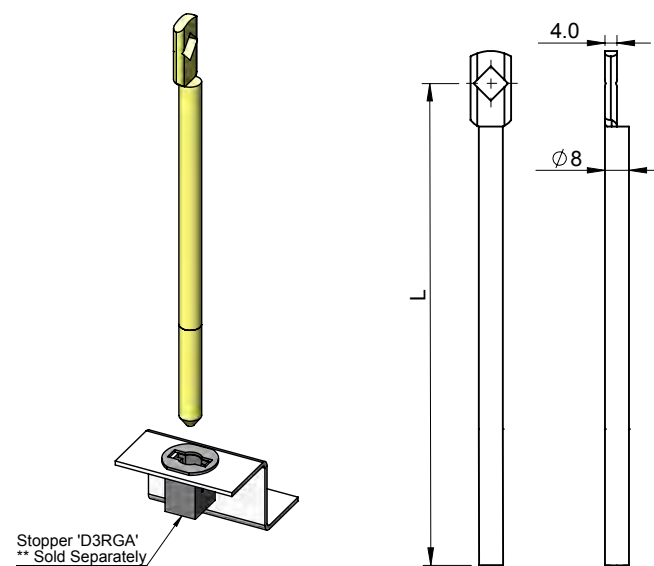
Product Code	Material	Finish
D4FORQ-L	MS	Yellow Zinc

## Three Point Locks

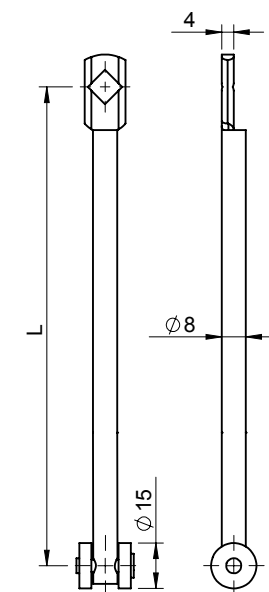
## Round Rod



Product Code	Material	Finish
D4FR-L	MS	Yellow Zinc



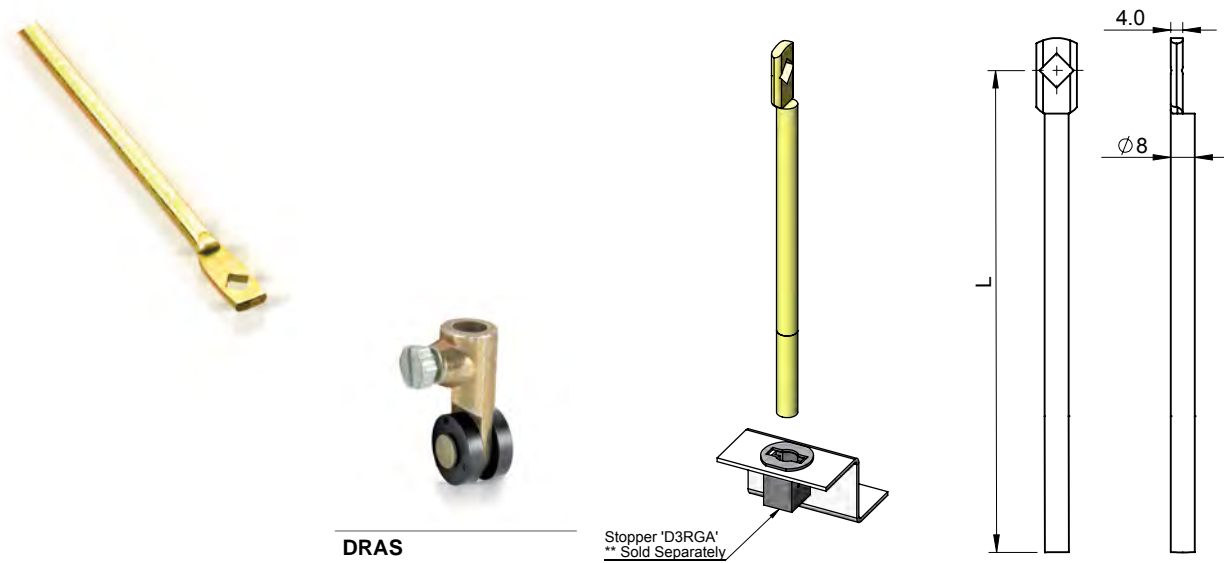
Product Code	Material	Finish
D4FP-L	MS	Yellow Zinc



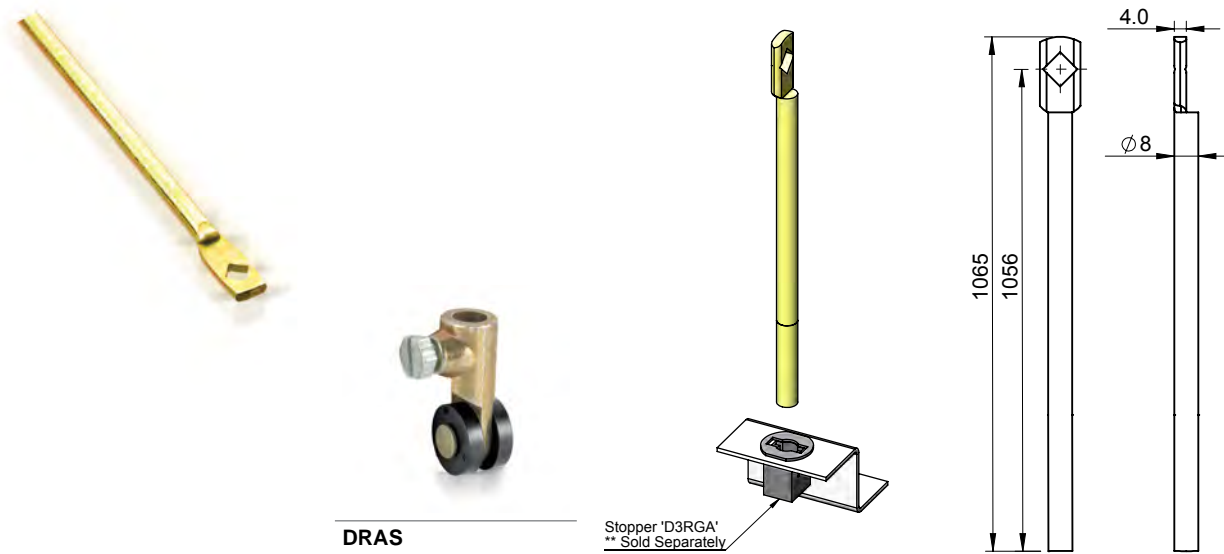
Product Code	Material	Finish
D4FRQ-L	MS	Yellow Zinc

## Three Point Locks

## Round Rod



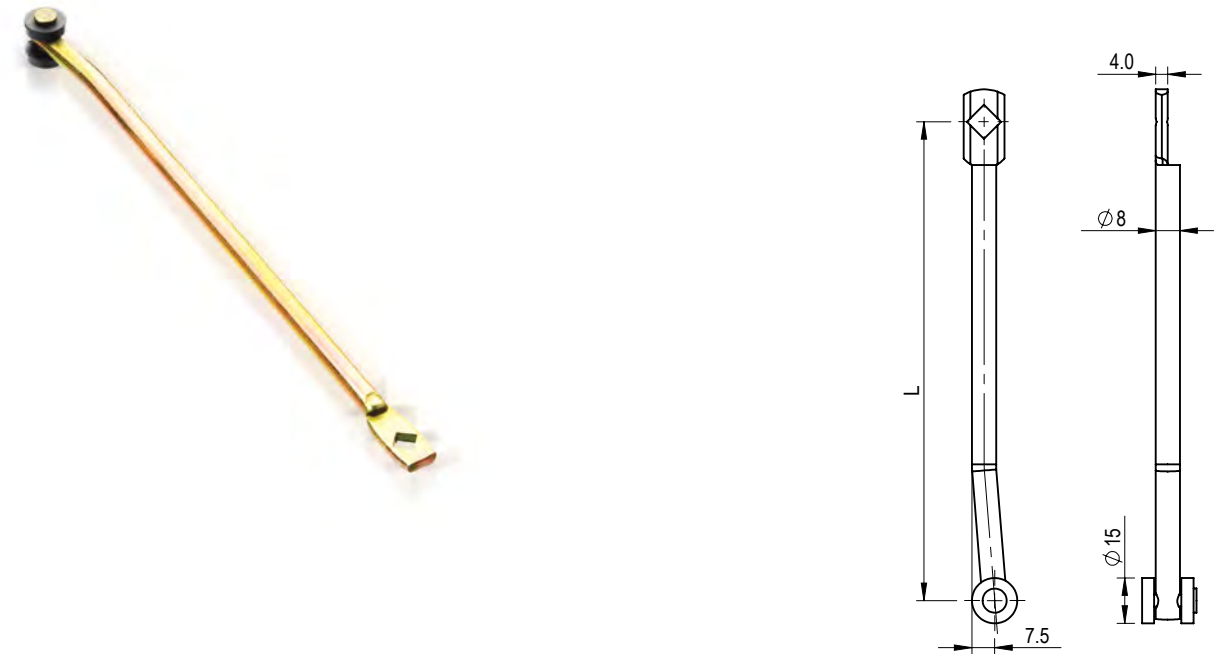
Product Code	Material	Finish	Description
D4F-L	MS	Yellow Zinc	-
DRAS	Zinc	Yellow Zinc	Only adapters are also available for use with your own rods



Product Code	Material	Finish	Description
D4F-1065	MS	Yellow Zinc	-
DRAS	Zinc	Yellow Zinc	Only adapters are also available for use with your own rods

## Three Point Locks

## Round Rod



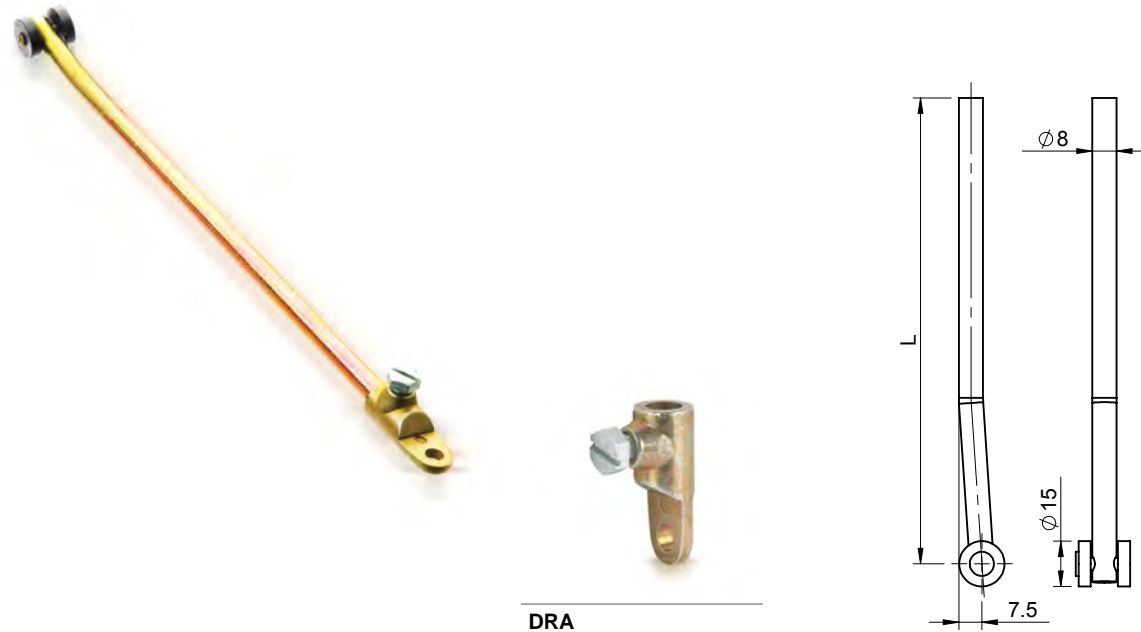
Product Code	Material	Finish
D4FBR-L	MS	Yellow Zinc



Product Code	Material	Finish
D4FBRQ-L	MS	Yellow Zinc

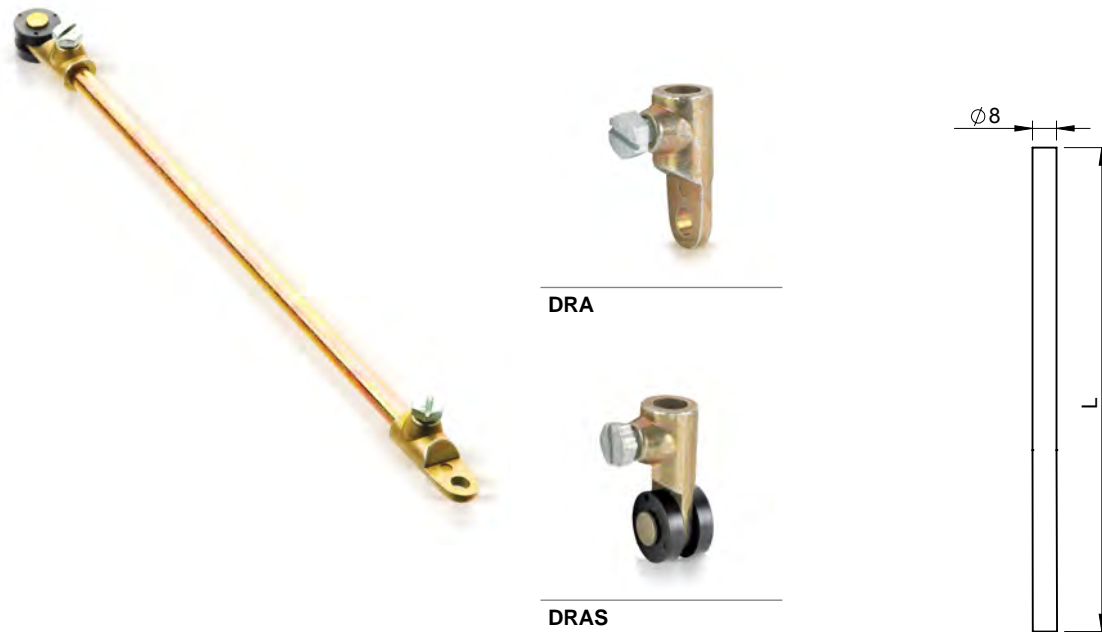
## Three Point Locks

### Round Rod



DRA

Product Code	Material	Finish
D4BR-L	MS	Yellow Zinc
DRA	Zinc	Yellow Zinc



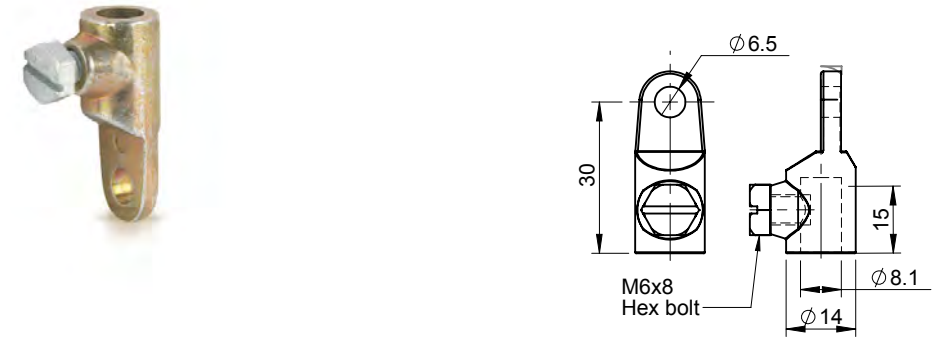
DRA

DRAS

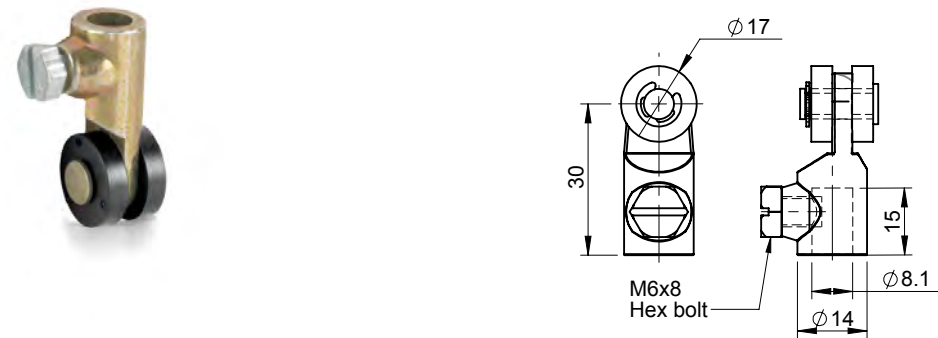
Product Code	Material	Finish	Description
D4-L	MS	Yellow Zinc	-
DRA	Zinc	Yellow Zinc	Only adapters are also available for use with your own rods
DRAS	Zinc	Yellow Zinc	Only adapters are also available for use with your own rods

## Three Point Locks

### Round Rod



Product Code	Material	Finish	Description
DRA	Zinc	Yellow Zinc	Only adapters are also available for use with your own rods
DRA-N	Zinc	Nickel Plated	Zinc Die Cast
DRA-N-SS	Zinc	Nickel Plated	Zinc Die Cast with SS-304 Screw



Product Code	Material	Finish	Description
DRAS	Zinc	Yellow Zinc	Only adapters are also available for use with your own rods
DRAS-N	Zinc	Nickel Plated	Zinc Die Cast
DRAS-N-SS	Zinc	Nickel Plated	Zinc Die Cast with SS-304 Screw

## Three Point Locks

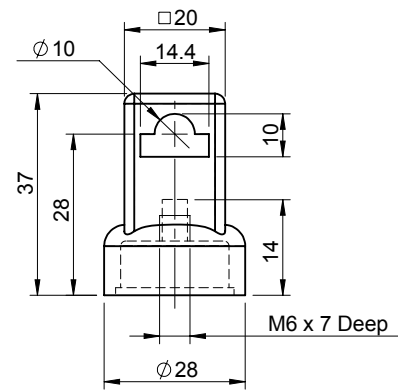
## Round Rod



D3RGR



SP



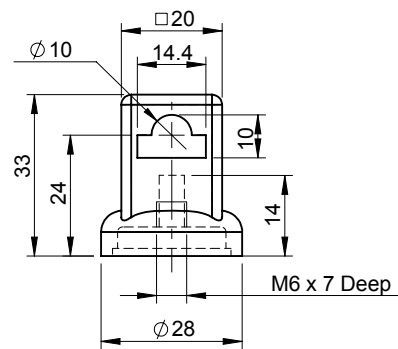
Product Code	Material	Description
D3RGR	Polyamide	Rod Guide
SP	Polyamide	Rod Guide Spacer (With spacer 3.2 mm. height can be increased, Suffix SP Eg. D3RGR-SP)



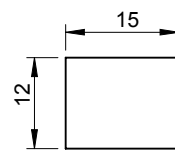
D3RGR24



SP



Product Code	Material	Description
D3RGR24	Polyamide	Rod Guide
SP	Polyamide	Rod Guide Spacer (With spacer 3.2 mm. height can be increased, Suffix SP Eg. D3RGR24-SP)

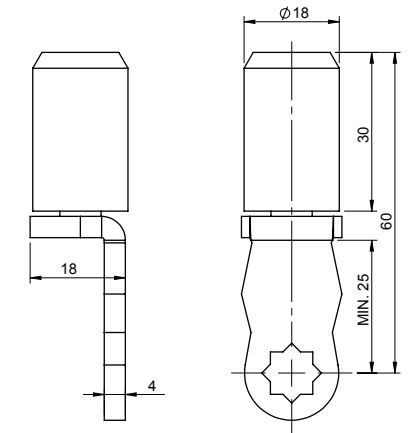


Cut out

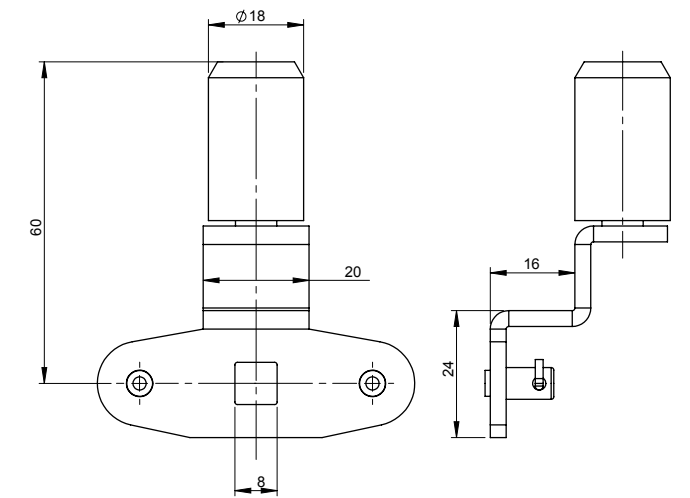
Product Code	Material	Description
D3RGA	Polyamide	Rod Guide

## Three Point Locks

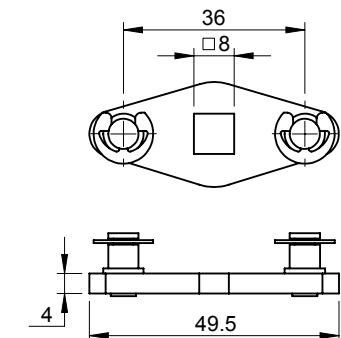
## Cams



Product Code	Material	Finish
MCL-CR	MS	Yellow Zinc



Product Code	Material	Finish
QBC-CR	MS	Yellow Zinc

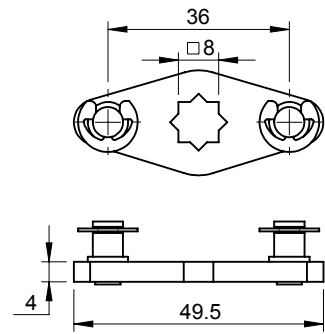


Product Code	Material	Finish
ACSQ-36	MS	Blue Zinc

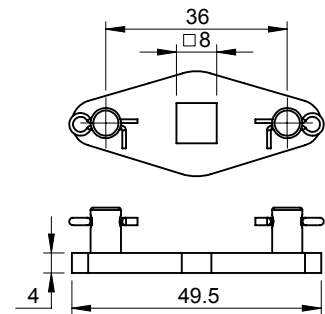


## Three Point Locks

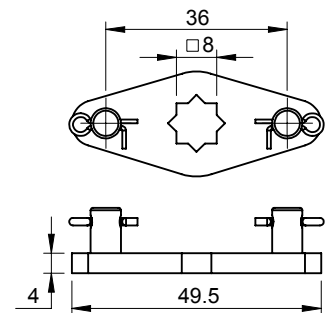
### Cams



Product Code	Material	Finish
<b>ACS-36</b>	MS	Blue Zinc



Product Code	Material	Finish
<b>ACSQR-36</b>	MS	Blue Zinc



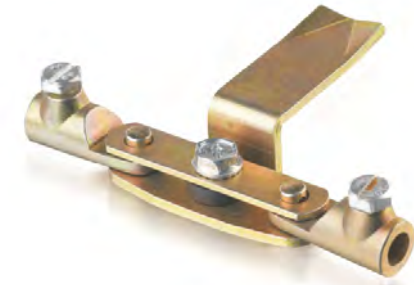
Product Code	Material	Finish
<b>ACSR-36</b>	MS	Blue Zinc

## Three Point Locks

### Cams



**LCCH-40**



**QBCCH-44**

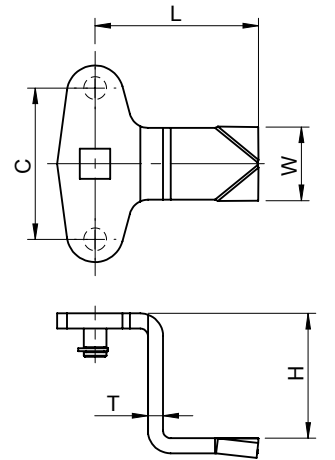
Product Code	Material	Finish
<b>LCCH-40</b>	MS	Yellow Zinc
<b>QBCCH-44</b>	MS	Yellow Zinc



**FC**



**LC**



Product Code	Material	Finish	H	C	L	T	W
<b>FC</b>	MS	Blue Zinc	27	52	45	04	20
<b>LC</b>	MS	Blue Zinc	33	40	43	04	19
<b>LC36</b>	MS	Blue Zinc	32	36	33	04	19



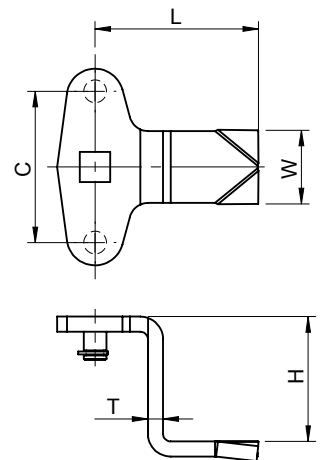
**QBC**



**QBCC**



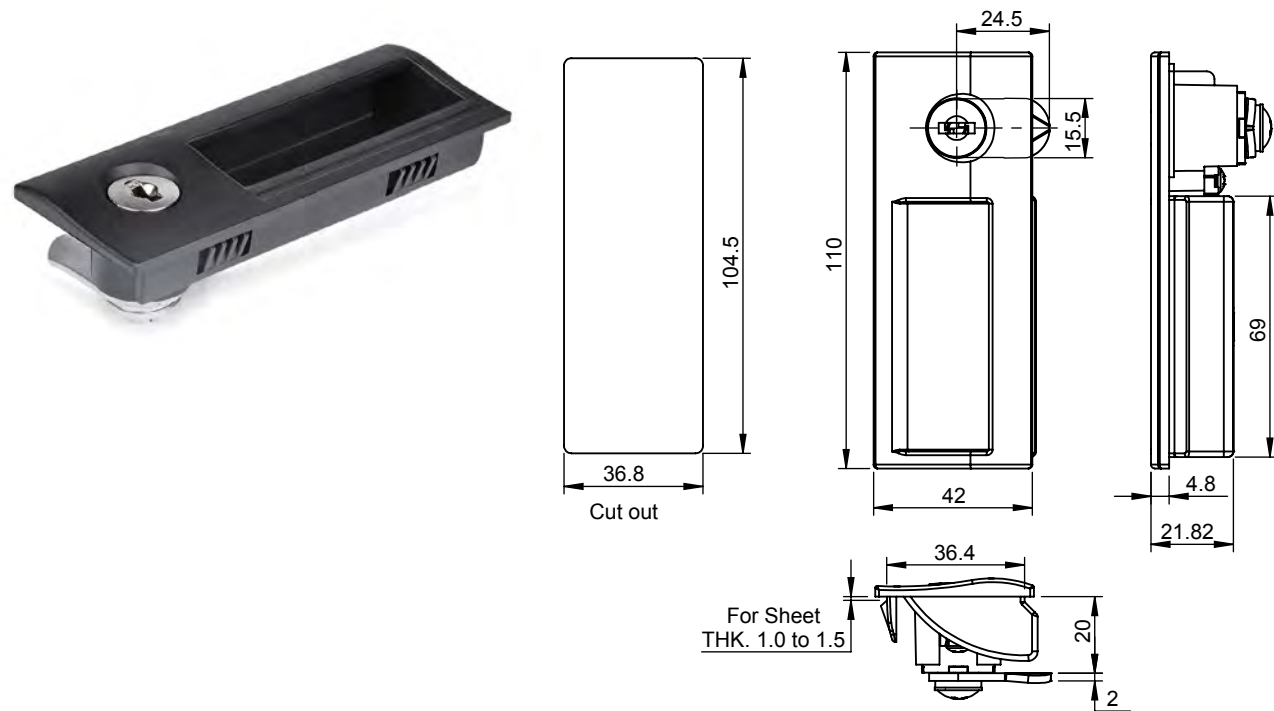
**QBC-SS**



Product Code	Material	Finish	H	C	L	T	W
<b>QBC</b>	MS	Yellow Zinc	16	44	60	03	20
<b>QBCC</b>	MS	Yellow Zinc	16	44	60	03	20
<b>QBC-SS</b>	SS-304	Sand Blasting	16	44	60	03	20

## Three Point Locks

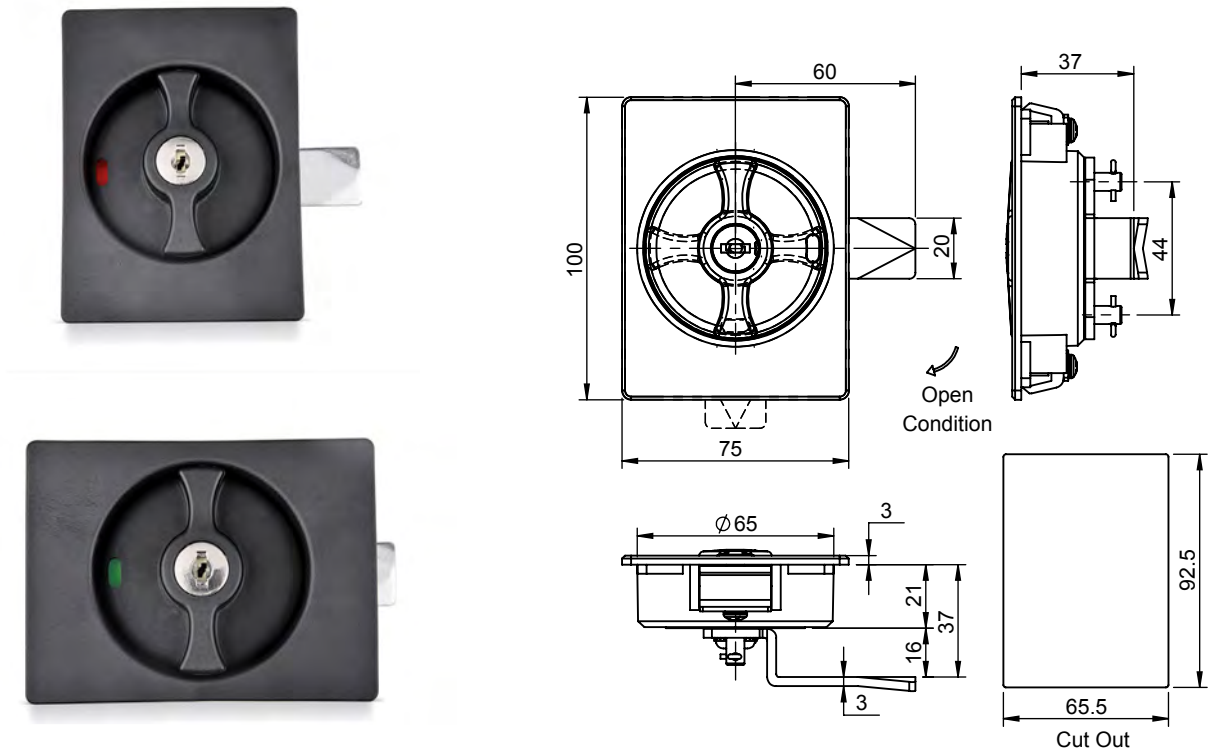
## Furniture Lock



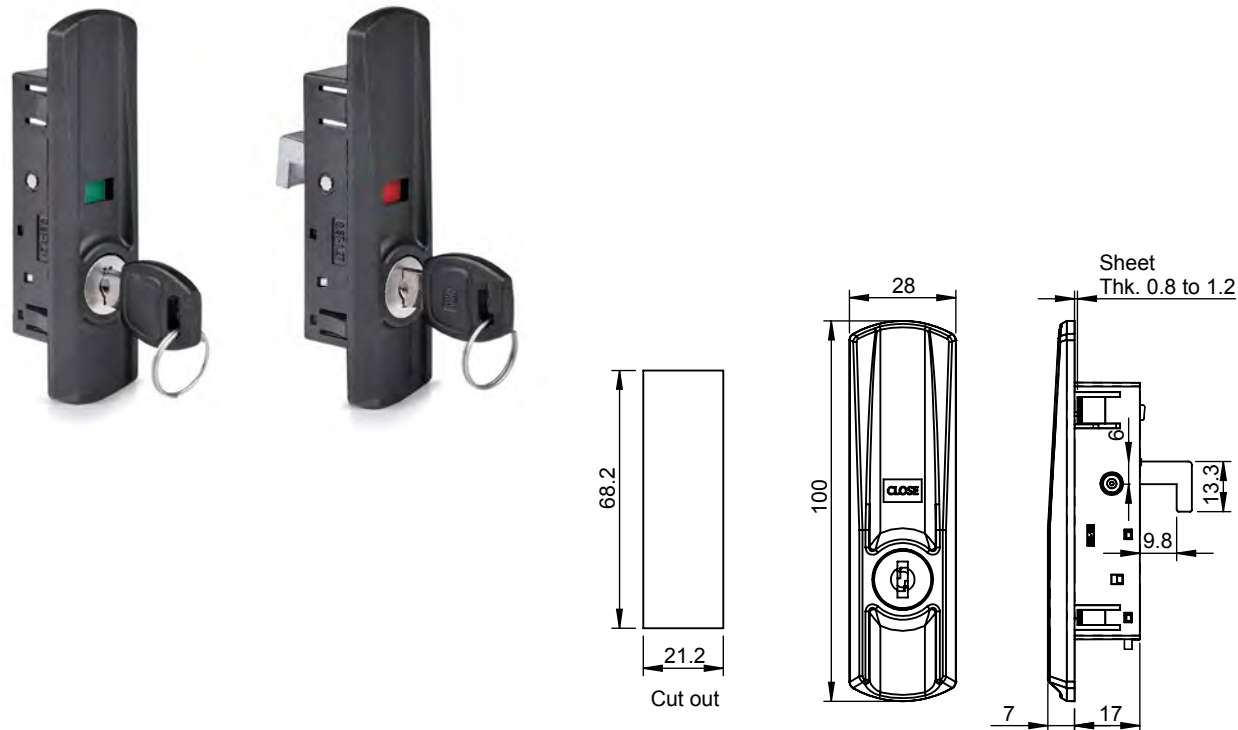
Product Code	Material	Key	Description
<b>DHP-110-L</b>	Polyamide	MK-1555	Recessed Handle Lock
Combination are available from 001 to 999			

## Three Point Locks

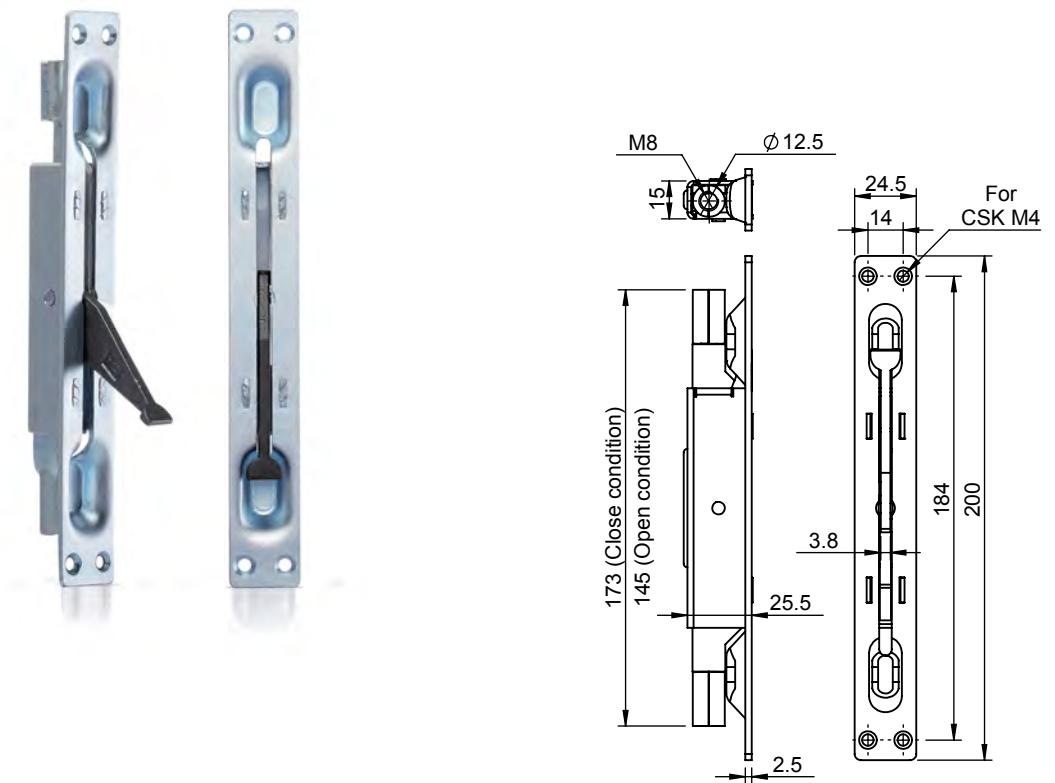
## Furniture Lock



Product Code	Material	Key	Description
<b>DFPC-75</b>	Polyamide	MK-1555	Cabinet Lock
Combination are available from 001 to 999			



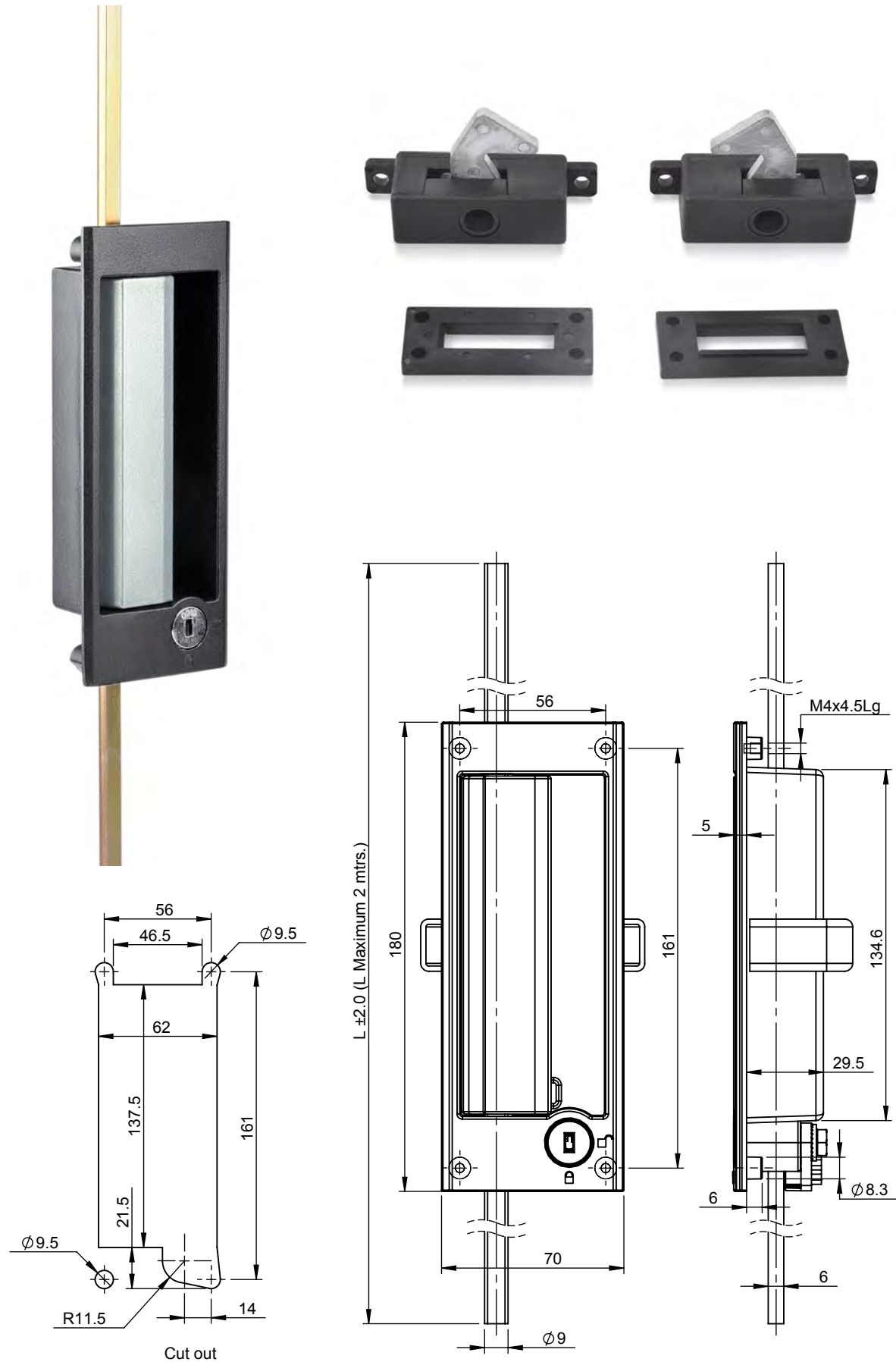
Product Code	Material	Key	Description
<b>DPHL-100</b>	Polyamide	MK-1555	Hook Lock
Combination are available from 001 to 999			



Product Code	Material	Finish
<b>DMD2PL</b>	MS	Blue Zinc
Round Threaded rods to be used		

# Three Point Locks

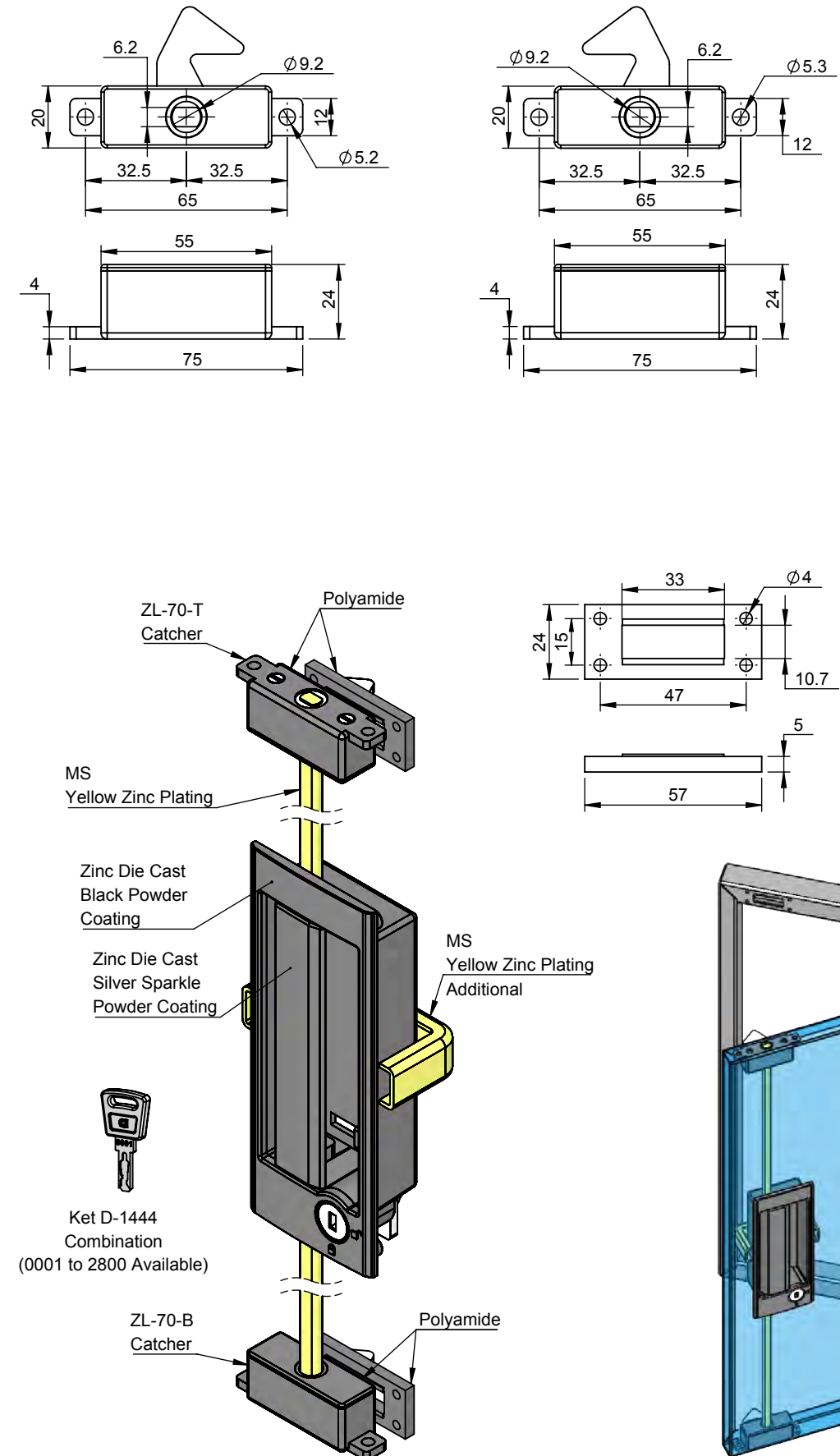
## Furniture Lock



Product Code	Base Material	Base Finish	Handle Material	Handle Finish
DZFL-70	Zinc	Black PC	Zinc	SPC

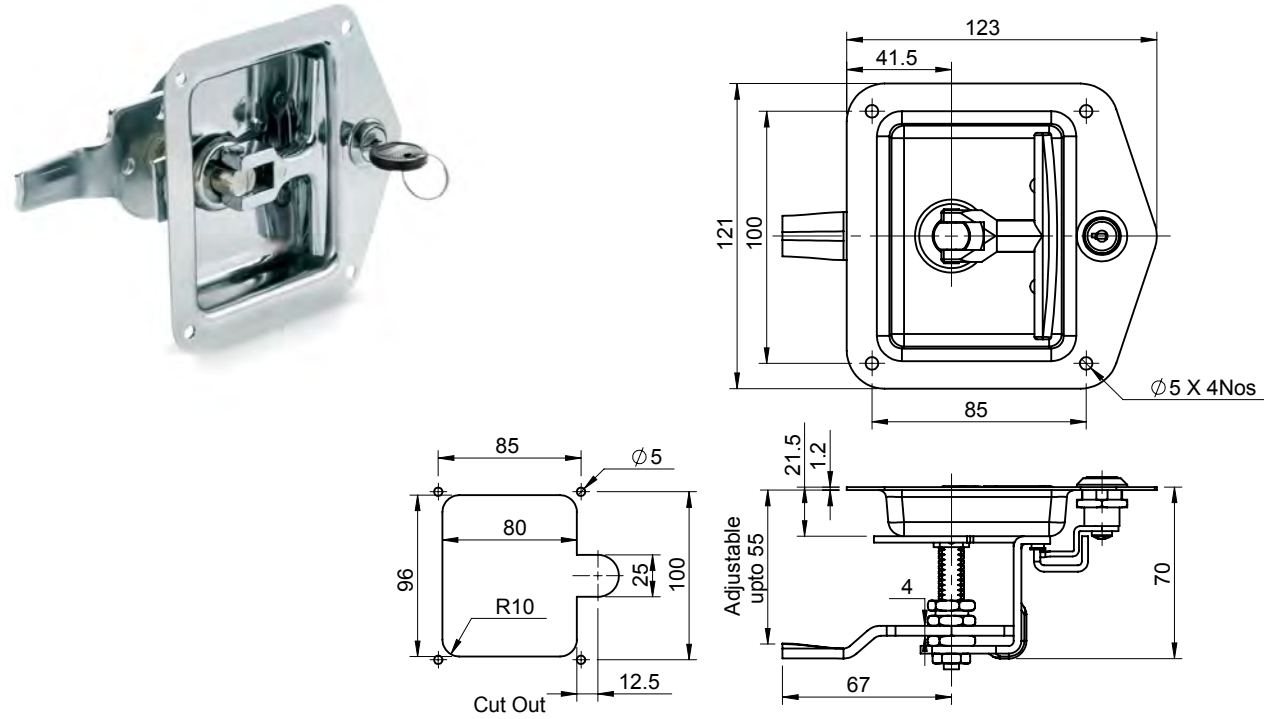
# Three Point Locks

## Furniture Lock

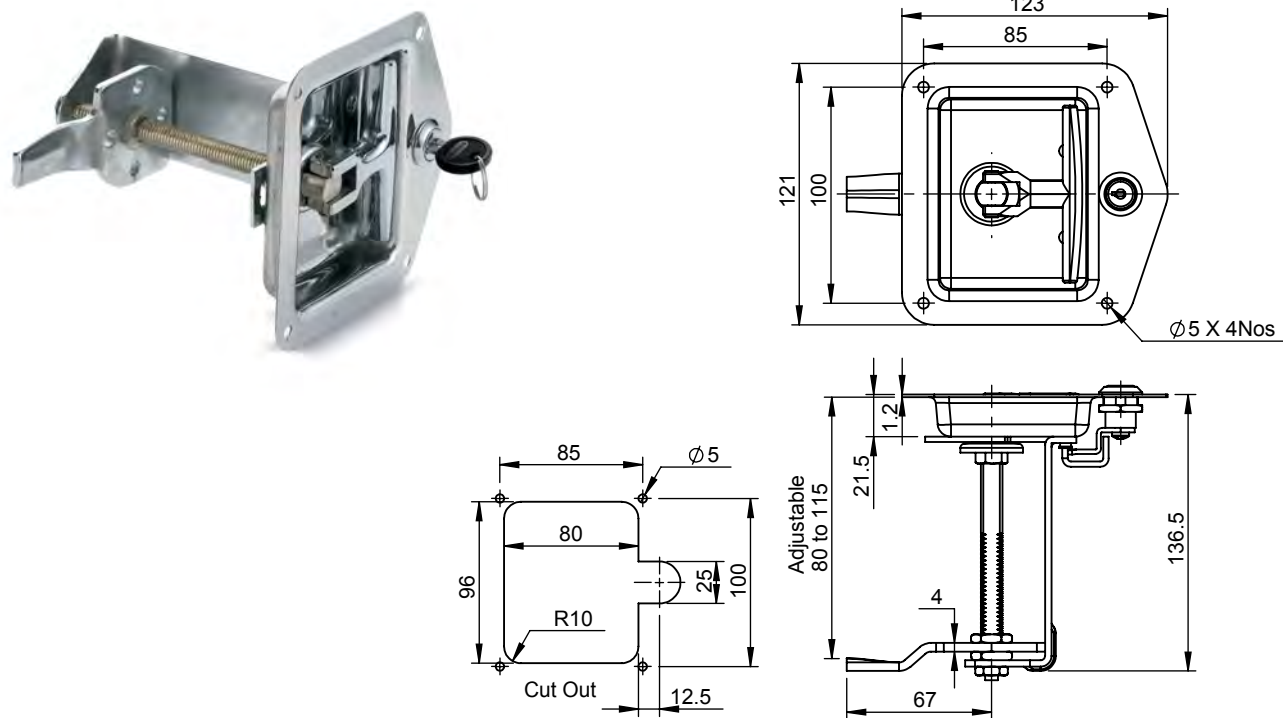


## Canopy Locks

### Flushed 'T' Handle Lock



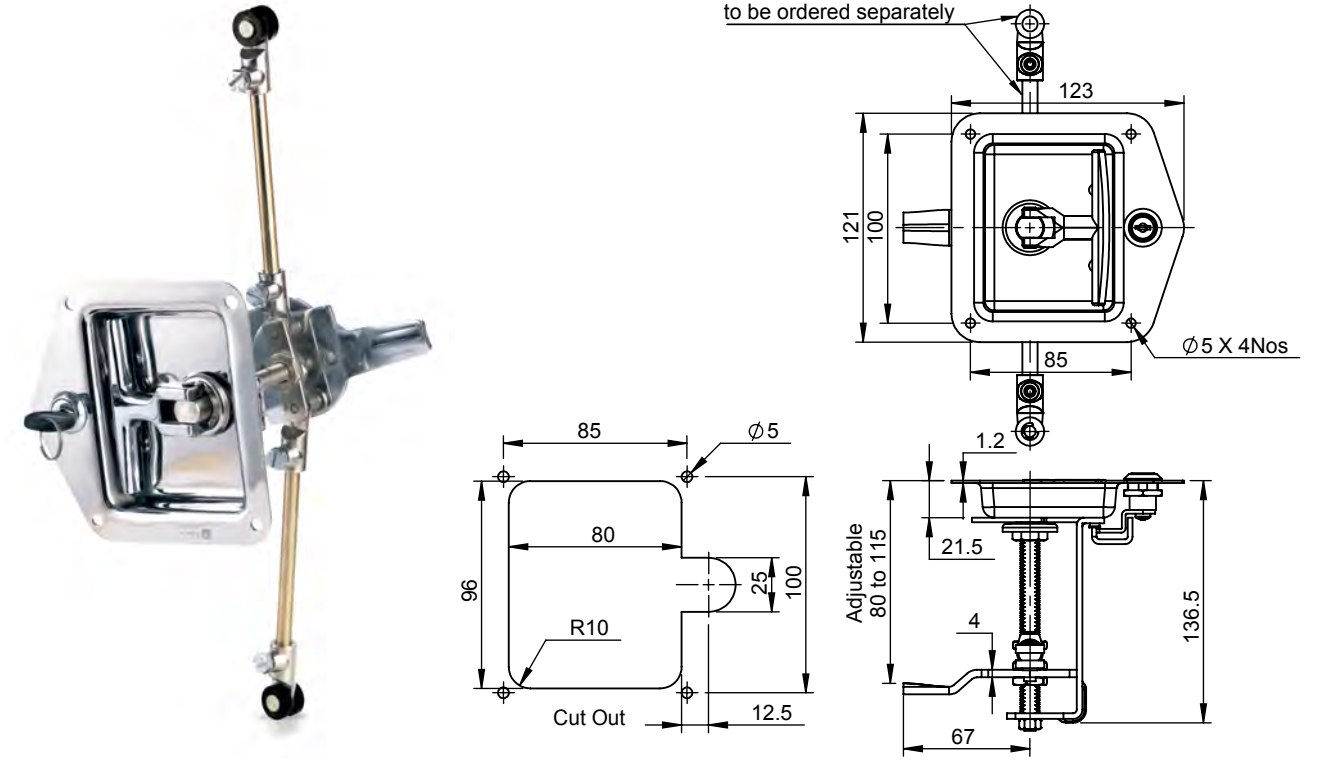
Product Code	Body Material	Handle Material	Finish	Key
<b>DFTL-120-SS</b>	SS-304	Zinc	Buffed	D-2233-M
<b>DFTL-120-MS-PC</b>	MS	Zinc	Black PC	D-2233-M



Product Code	Body Material	Handle Material	Finish	Key
<b>DFTL-1204-SS</b>	SS-304	Zinc	Buffed	D-2233-M
<b>DFTL-1204-MS-PC</b>	MS	Zinc	Black PC	D-2233-M

## Canopy Locks

### Flushed 'T' Handle Lock

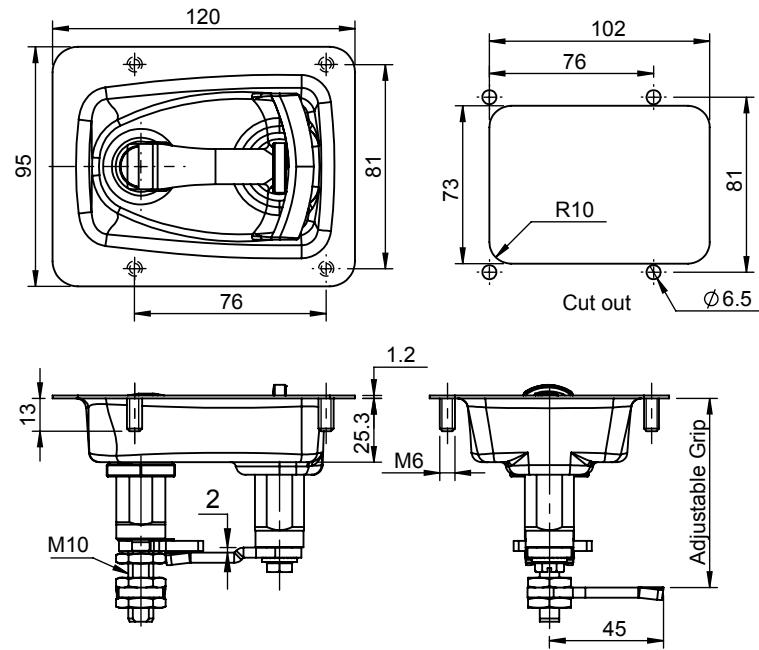


Product Code	Body Material	Handle Material	Finish	Key
<b>DFT4L-1204-SS</b>	SS-304	Zinc	Buffed	D-2233-M
Single Side Movement				



## Canopy Locks

### 'T' Handle Compression Lock

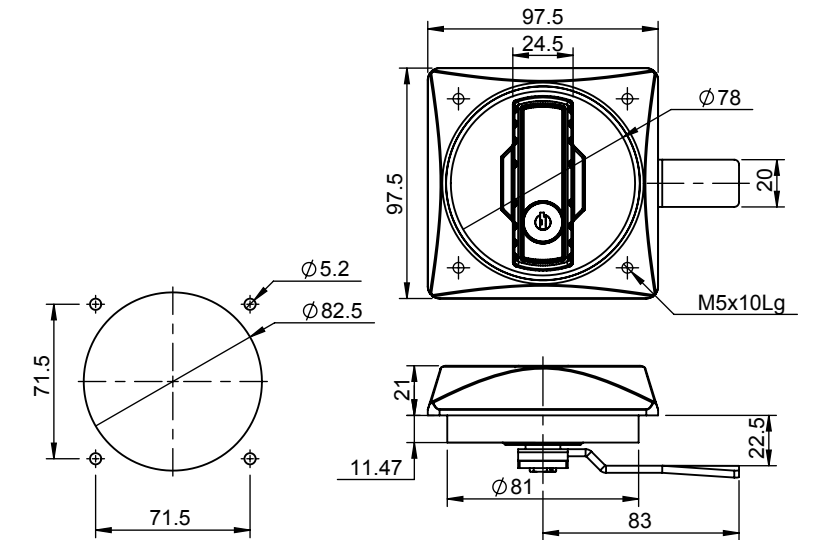


Product Code	Body Material	Handle Material	Finish	Key
<b>DFTC-150-PC</b>	MS	Zinc	Black PC	D-1333-M

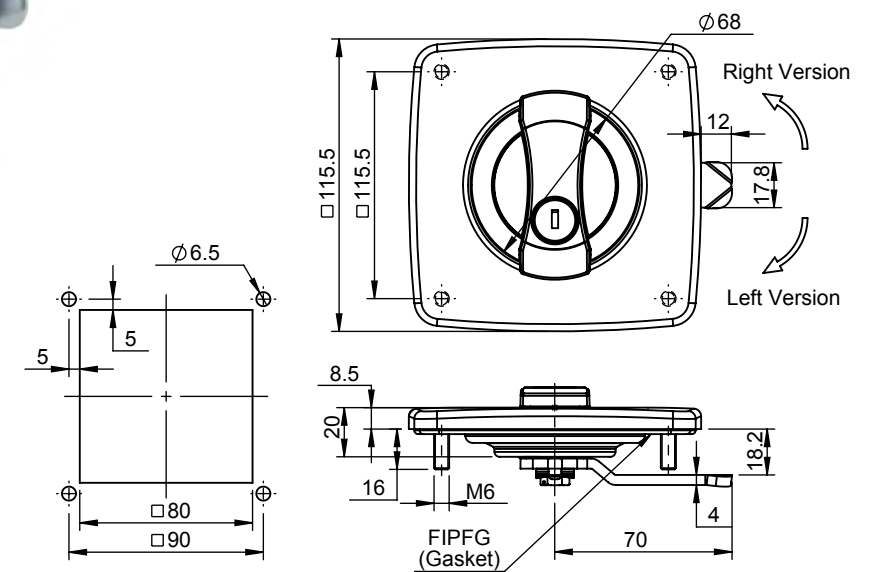
Rotate T handle 90° to lock & further rotating the handle will pull the cam towards the door.

## Canopy Locks

### Latch Lock



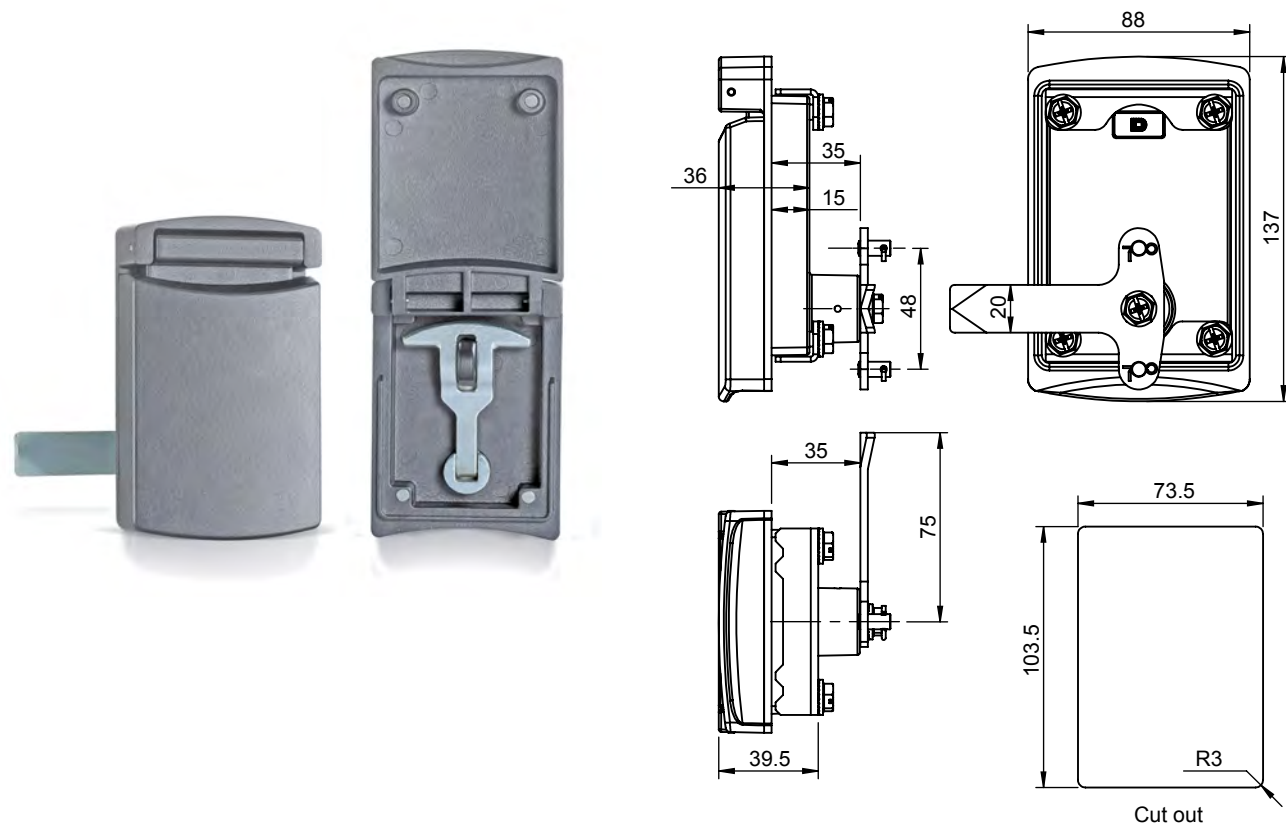
Product Code	Body Material	Body Finish	Handle Material	Handle Finish	Key
<b>DMFG-97</b>	Aluminium	Black PC	Zinc	Nickel Plated	D-1333-M



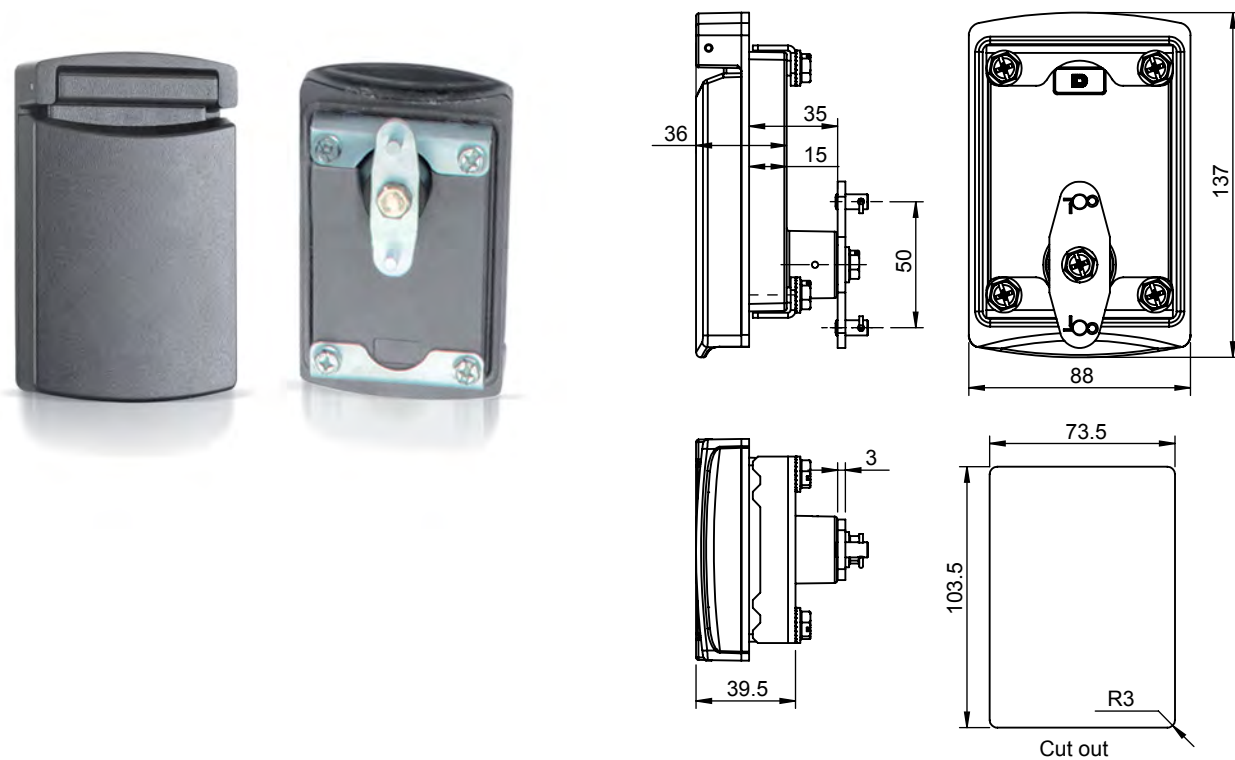
Product Code	Body Material	Finish	Key
<b>DMFG-116</b>	Zinc Die Cast	Black PC	D-1333-M

## Canopy Locks

## Latch Lock



Product Code	Base / Cover Material	Handle Material	Finish
DZFPL-135	Aluminium	Zinc	Black PC



Product Code	Base / Cover Material	Handle Material	Finish
DZFPL-135-ACSR-50	Aluminium	Zinc	Black PC

## Canopy Locks

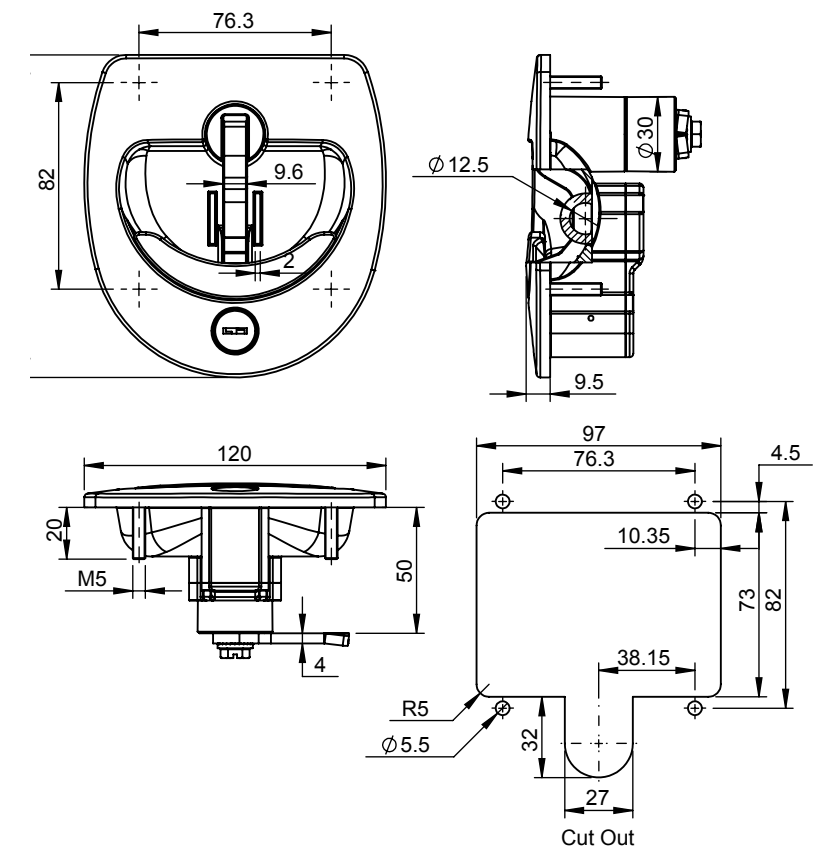
## Latch Lock



DFPPL-128-PC



DFPPL-128-SPC



2020

Product Code	Body Material	Finish	Key
DFPPL-128-PC	MS	Black PC	D-1333-M
DFPPL-128-SPC	MS	SPC	D-1333-M

## Canopy Locks

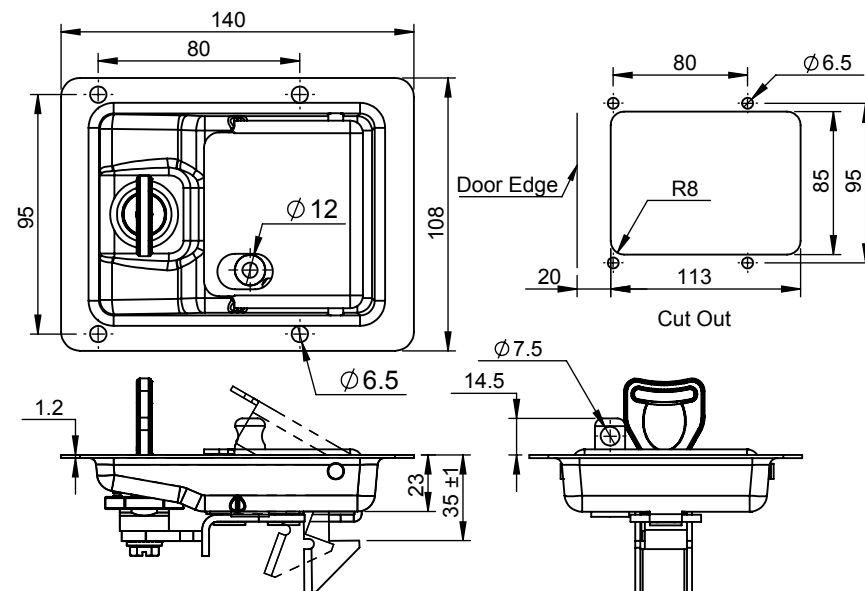
## Slam Pad Lock



DFPL-140-L-MS-PC-L



DFPL-140-L-SS-L (For Application)



2020

Product Code	Body Material	Padlock	Finish	Version	Key
DFPL-140-L-MS-PC-L	MS	Available	Black PC	Left	D-1333-M
DFPL-140-L-SS-L	SS-304	Available	Buffed	Left	D-1333-M

## Canopy Locks

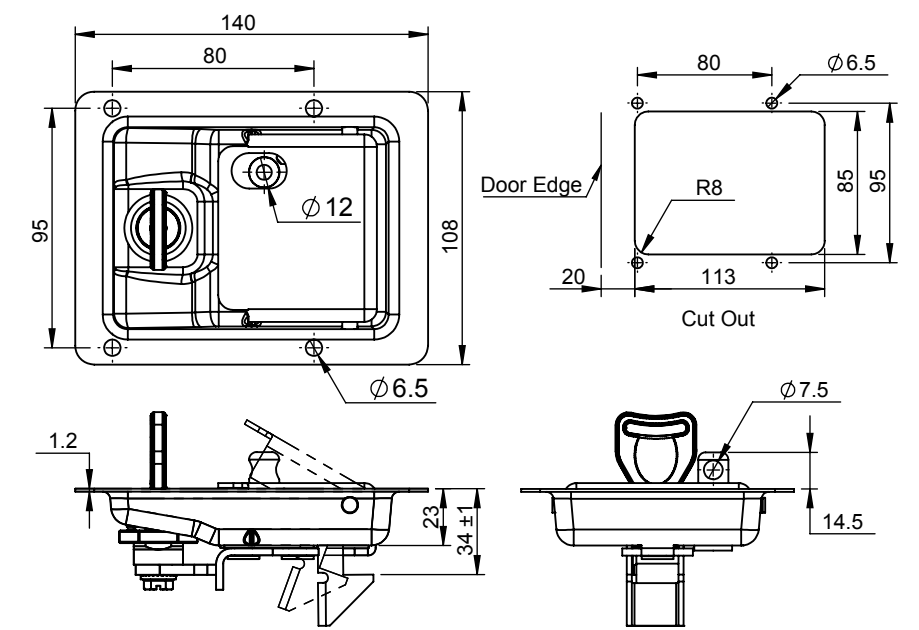
## Slam Pad Lock



DFPL-140-L-MS-PC-R



DFPL-140-L-SS-R



2020

Product Code	Body Material	Padlock	Finish	Version	Key
DFPL-140-L-MS-PC-R	MS	Available	Black PC	Right	D-1333-M
DFPL-140-L-SS-R	SS-304	Available	Buffed	Right	D-1333-M

## Canopy Locks

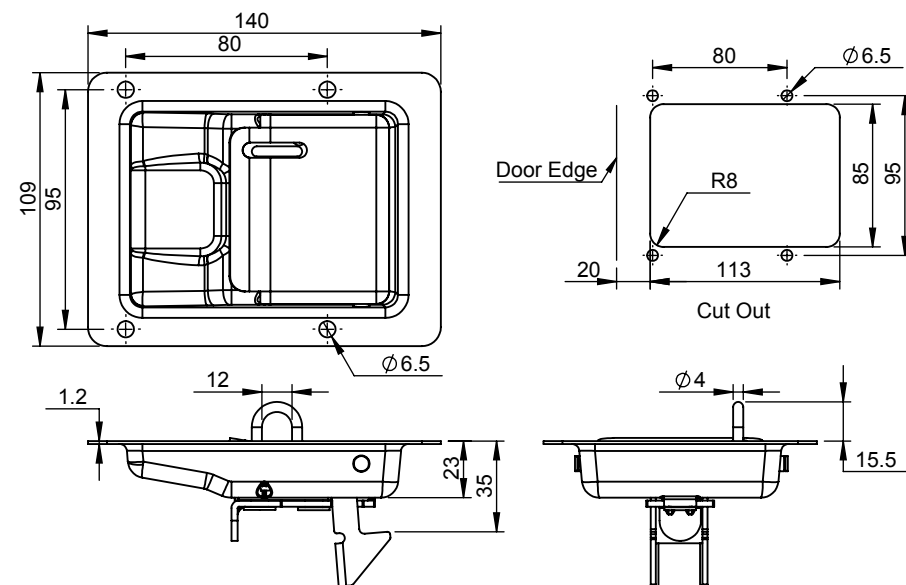
## Slam Pad Lock



DFP-140-L2-MS-PC-L



DFP-140-L2-MS-PC-R



2020

Product Code	Body Material	Padlock	Finish	Version	Key
DFP-140-L2-MS-PC-L	MS	Available	Black PC	Left	D-1333-M
DFP-140-L2-MS-PC-R	MS	Available	Black PC	Right	D-1333-M

## Canopy Locks

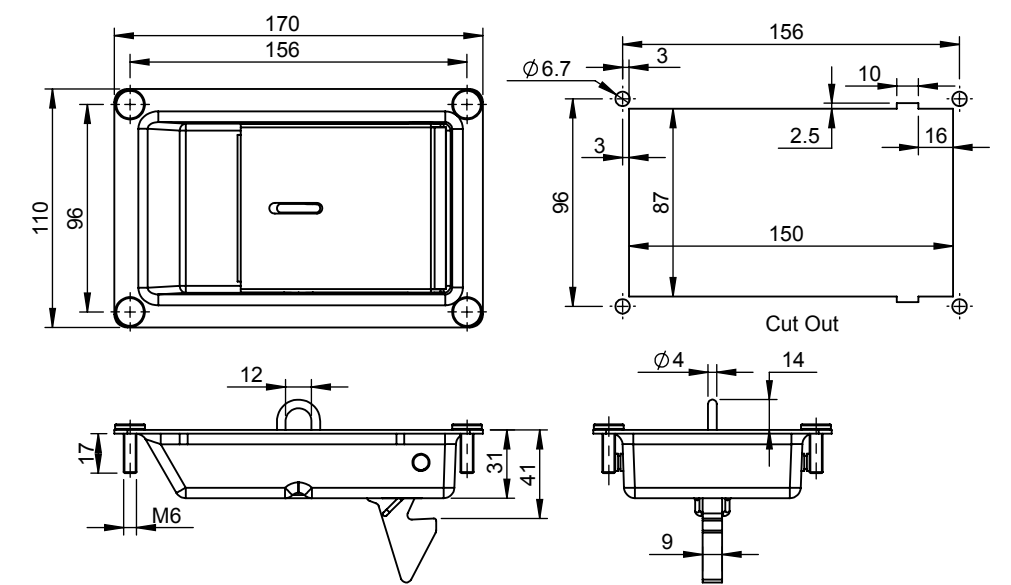
## Slam Lock



DFP-170-L2-FSW6-MS-PC



DFP-170-L2-FSW6-MS-PC-Y



2020

Product Code	Body Material	Padlock	Finish	Key
DFP-170-L2-FSW6-MS-PC	MS	Available	Black PC	D-1333-M
DFP-170-L2-FSW6-MS-PC-Y	MS	Available	Yellow PC	D-1333-M



## Canopy Locks

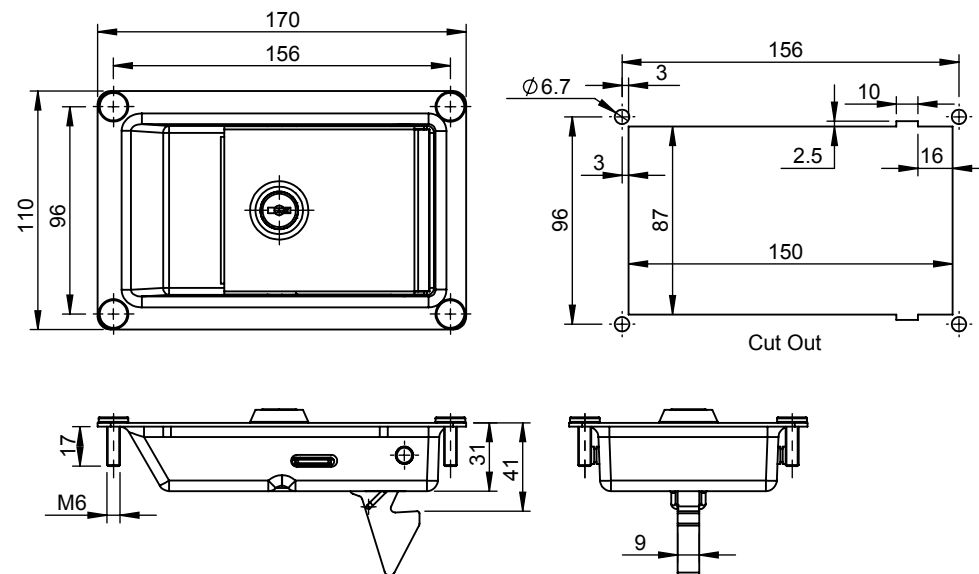
## Slam Lock



DFPL-170-FSW6-MS-PC



DFPL-170-FSW6-MS-PC-Y



2020

Product Code	Body Material	Finish	Key
DFPL-170-FSW6-MS-PC	MS	Black PC	D-1333-M
DFPL-170-FSW6-MS-PC-Y	MS	Yellow PC	D-1333-M

## Canopy Locks

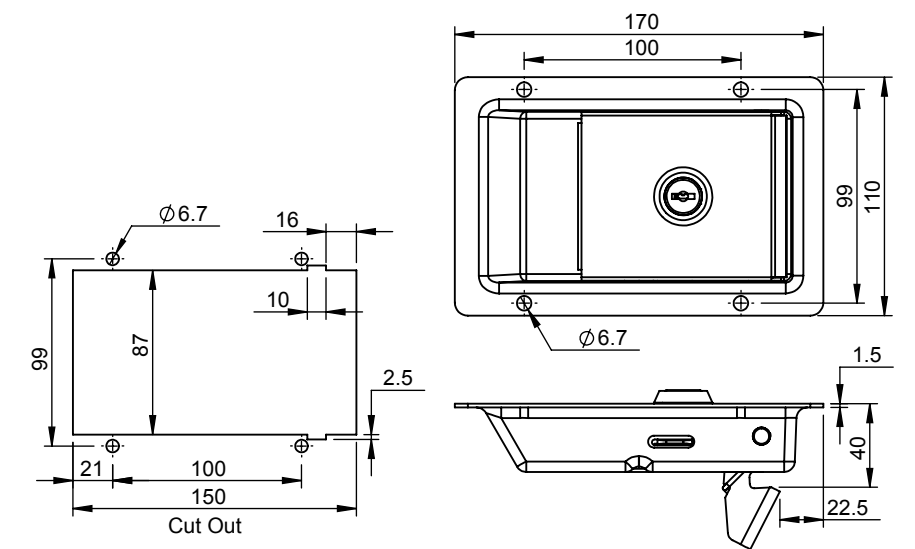
## Slam Lock



DFPLSS-170-MS-PC



DFPLSS-170-MS-PC-Y



Product Code	Body Material	Finish	Key
DFPLSS-170-MS-PC	MS	Black PC	D-1333-M
DFPLSS-170-MS-PC-Y	MS	Yellow PC	D-1333-M
DFPLSS-170-SW6-MS-PC	MS	Black PC	D-1333-M
DFPL-170-MS-PC	MS	Black PC	D-1333-M
DFPL-170-SW6-MS-PC	MS	Black PC	D-1333-M

## Canopy Locks

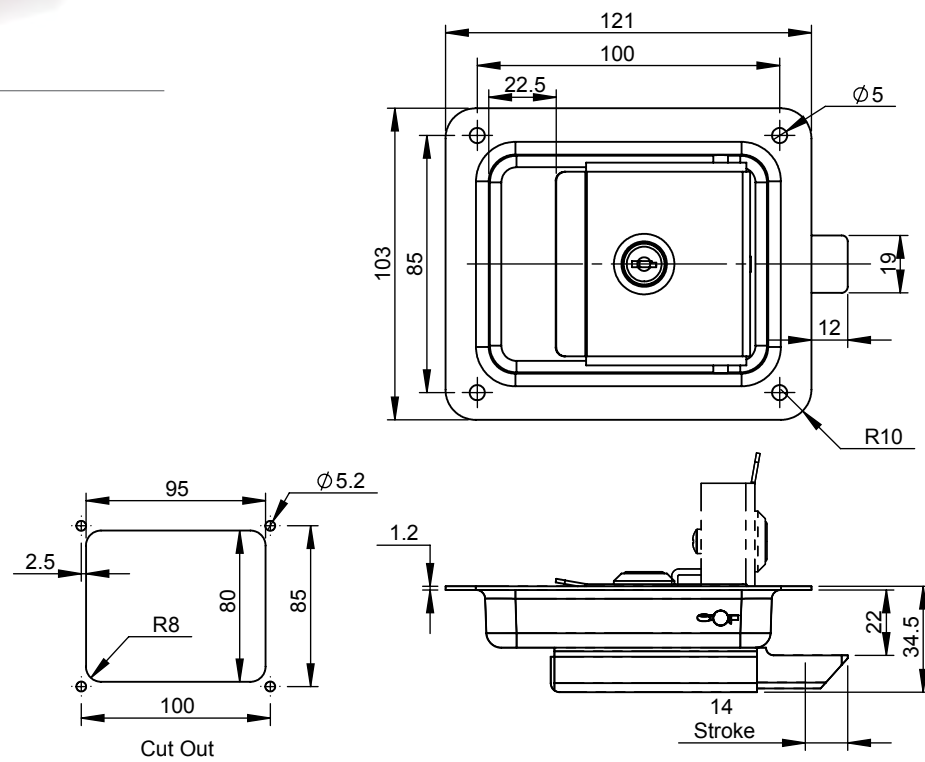
## Slam Lock



DFPL-120-SS  
DFPL-120-MS



DFP-120-SS  
DFP-120-MS



Product Code	Body Material	Finish	Key
DFP-120-SS	SS-304	Buffed	-
DFP-120-MS-PC	MS	Black PC	-
DFPL-120-SS	SS-304	Buffed	D-2233-M
DFPL-120-MS-PC	MS	Black PC	D-2233-M

## Canopy Locks

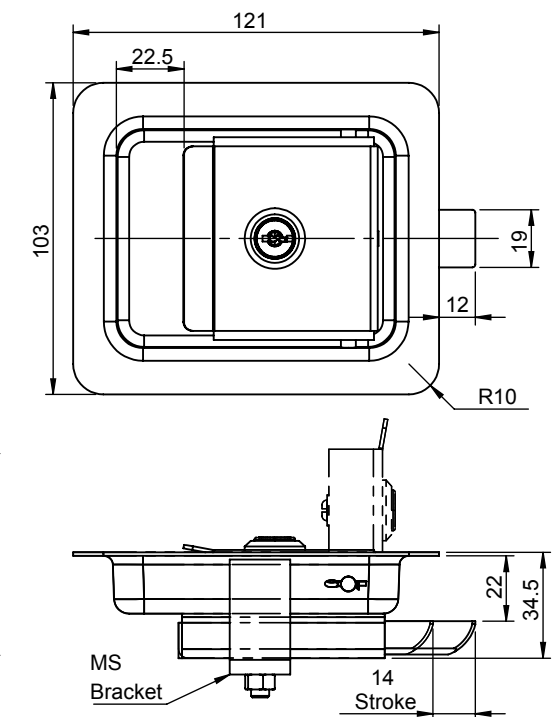
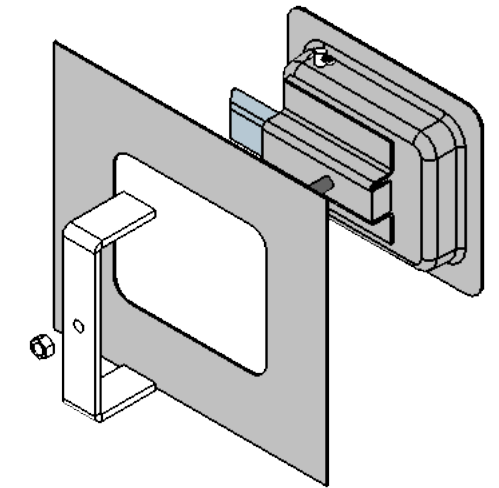
## Slam Lock



DFPLB-120-SS  
DFPLB-120-MS-PC



DFPB-120-SS  
DFPB-120-MS-PC



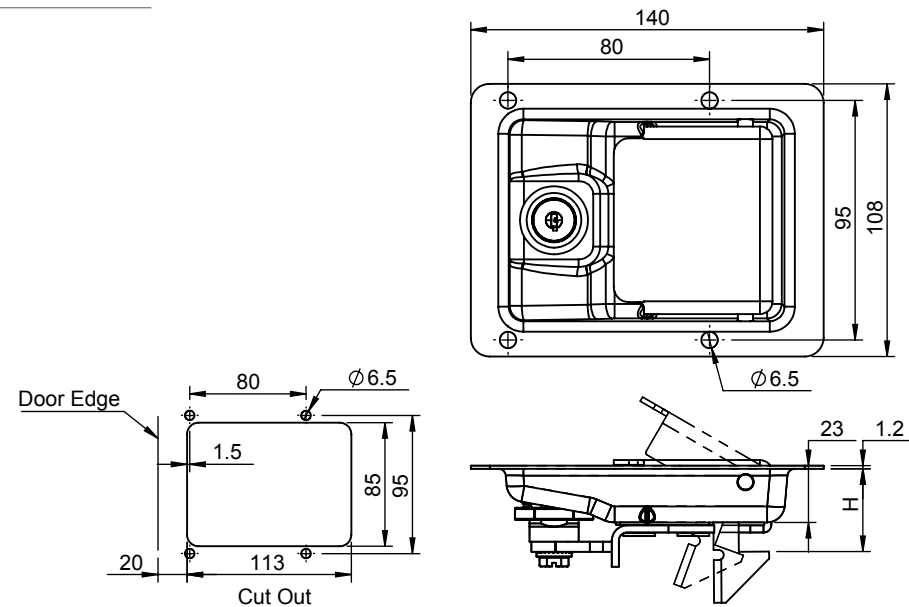
Product Code	Body Material	Finish	Key
DFPB-120-SS	SS-304	Buffed	-
DFPB-120-MS-PC	MS	Black PC	-
DFPLB-120-SS	SS-304	Buffed	D-2233-M
DFPLB-120-MS-PC	MS	Black PC	D-2233-M

## Canopy Locks

## Slam Lock



DFPL-140-SS

DFPLSS140-SW6-MS-PC  
SW6 is M6 Stud Welded for Back Mounting

Product Code	Body Material	Finish	Catcher Height H	Key
DFPL-140-SS	SS-304	Buffed	33	D-1333-M
DFPL-140-MS-PC	MS	Black PC	33	D-1333-M
DFPLSS-140-MS-PC	MS	Black PC	33	D-1333-M
DFPLSS-140-SW6-MS-PC	MS	Black PC	33	D-1333-M
DFPCL-5-140-MS-PC	MS	Black PC	33	-
DFPL-140-H68-SS	SS-304	Buffed	68	D-1333-M

## Canopy Locks

## Slam Lock

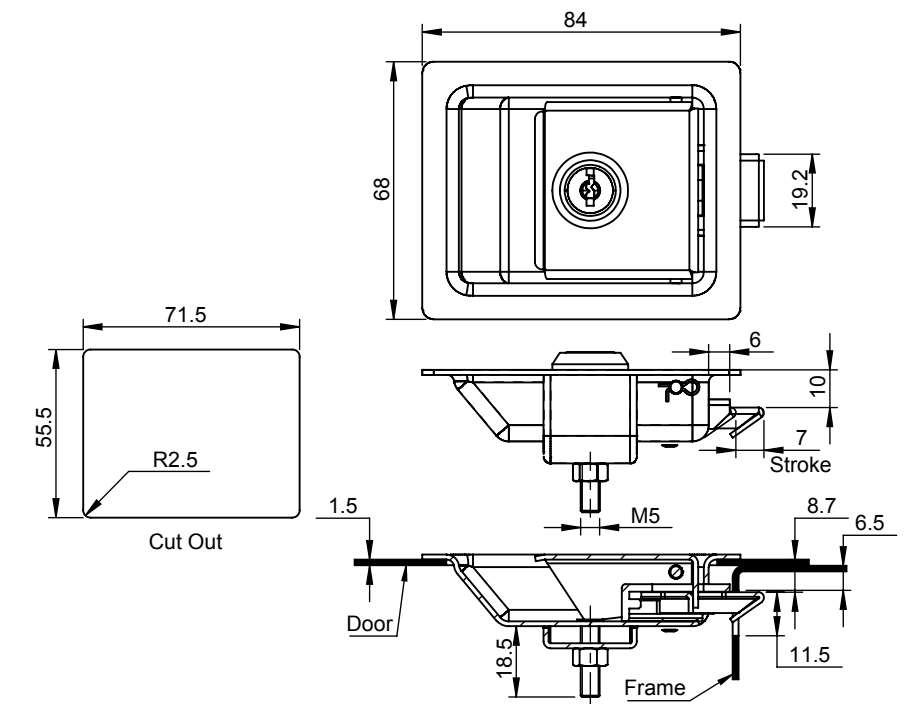


DFP-84-SS



DFPL-84-SS

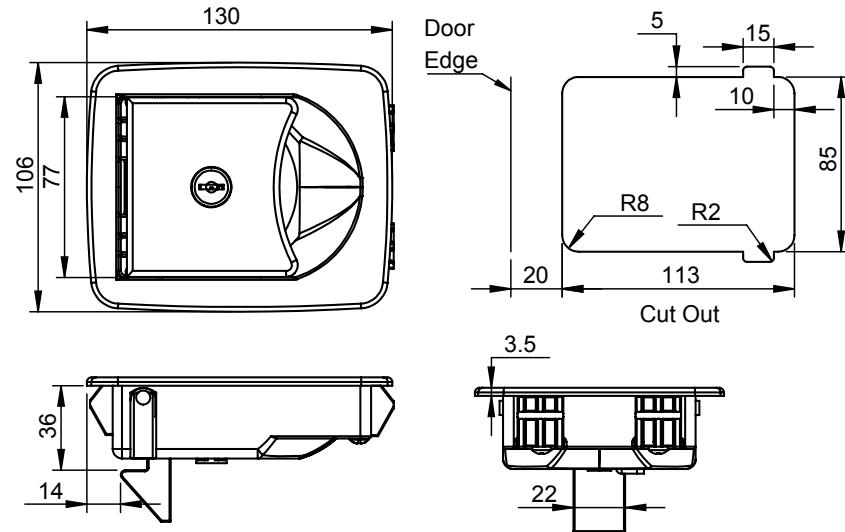
DFPL-84-MS-PC



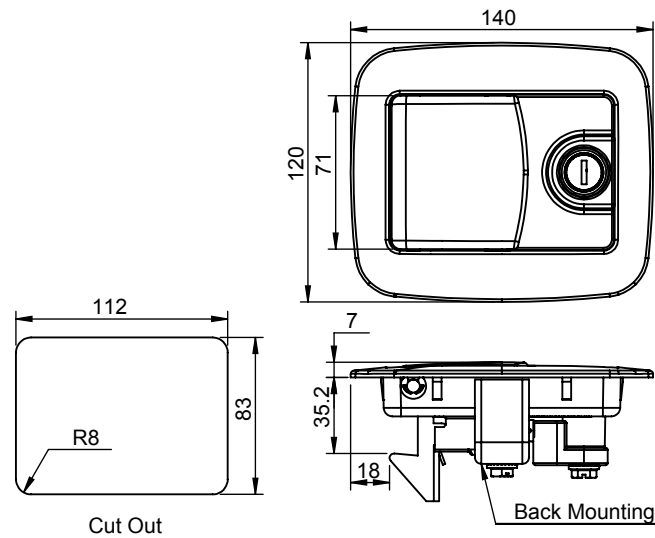
Product Code	Body Material	Finish	Key
DFP-84-SS	SS-304	Buffed	-
DFP-84-MS-PC	MS	Black PC	-
DFPL-84-SS	SS-304	Buffed	D-2233-M
DFPL-84-MS-PC	MS	Black PC	D-2233-M

# Canopy Locks

## Slam Lock



Product Code	Body Material	Key
<b>DFPPL-140</b>	Polyamide	D-1333-M
Key not removed in unlock condition		



Product Code	Body Material	Key
<b>DFPPLB-140</b>	Polyamide	D-1333-M

# Canopy Locks

## 2 Point Canopy Slam Lock



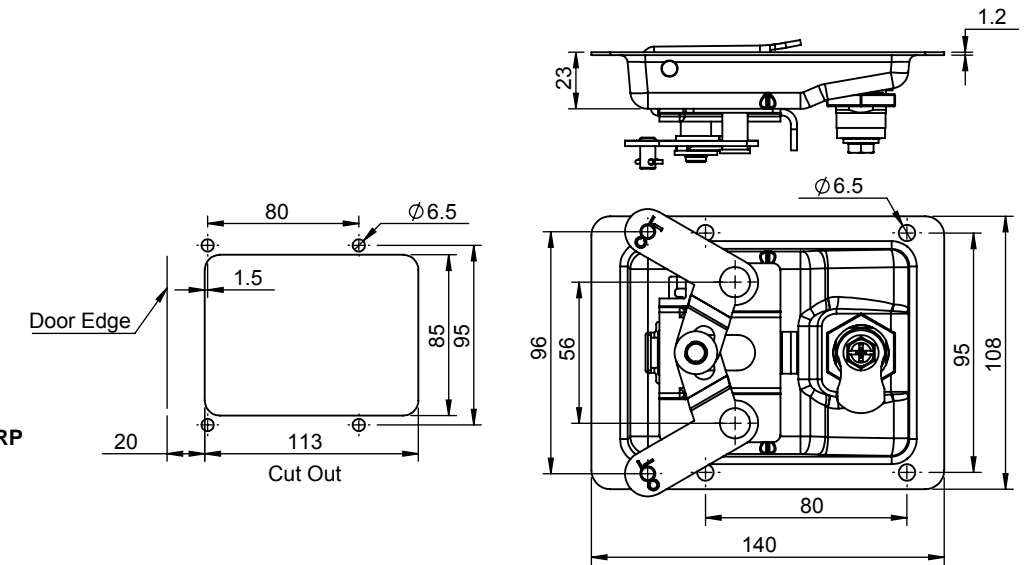
**DFPL-140-96-MS-PC**  
Front View

**DFPL-140-96-SS**  
Back View



**DFPL-140-MS-PC-C**  
Front View

**DFPL-140-MS-PC-C**  
Back View



Product Code	Body Material	Finish	Key
<b>DFPL-140-96-SS</b>	SS-304	Buffed	D-1333-M
<b>DFPL-140-96-MS-PC</b>	MS	Black PC	D-1333-M
<b>DFPL-140-MS-PC-C</b>	MS	Black PC	D-1333-M
<b>DMLB-L</b>	MS	Nickel Plated	-
<b>DZSRP</b>	SS-304	Electro Polishing	-



# Canopy Locks

## 3 Point Canopy Slam Lock



**D3FPL-140-96-MS-PC**  
Front View



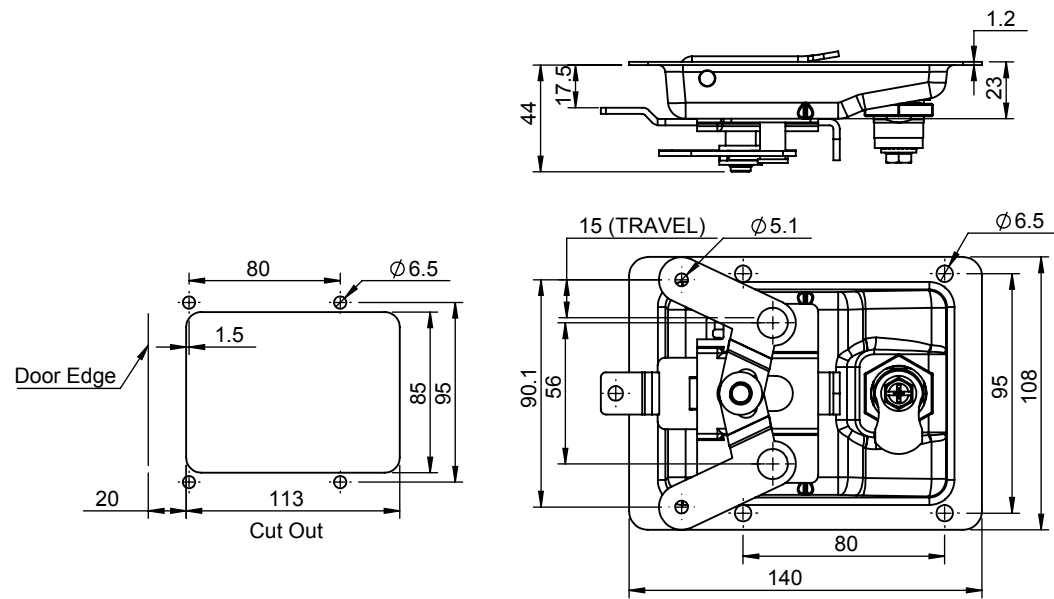
**D3FPL-140-96-MS-PC**  
Back View



**D3FPL-140-96-SW6-MS-PC**  
M6 Stud Welded for Back Mounting



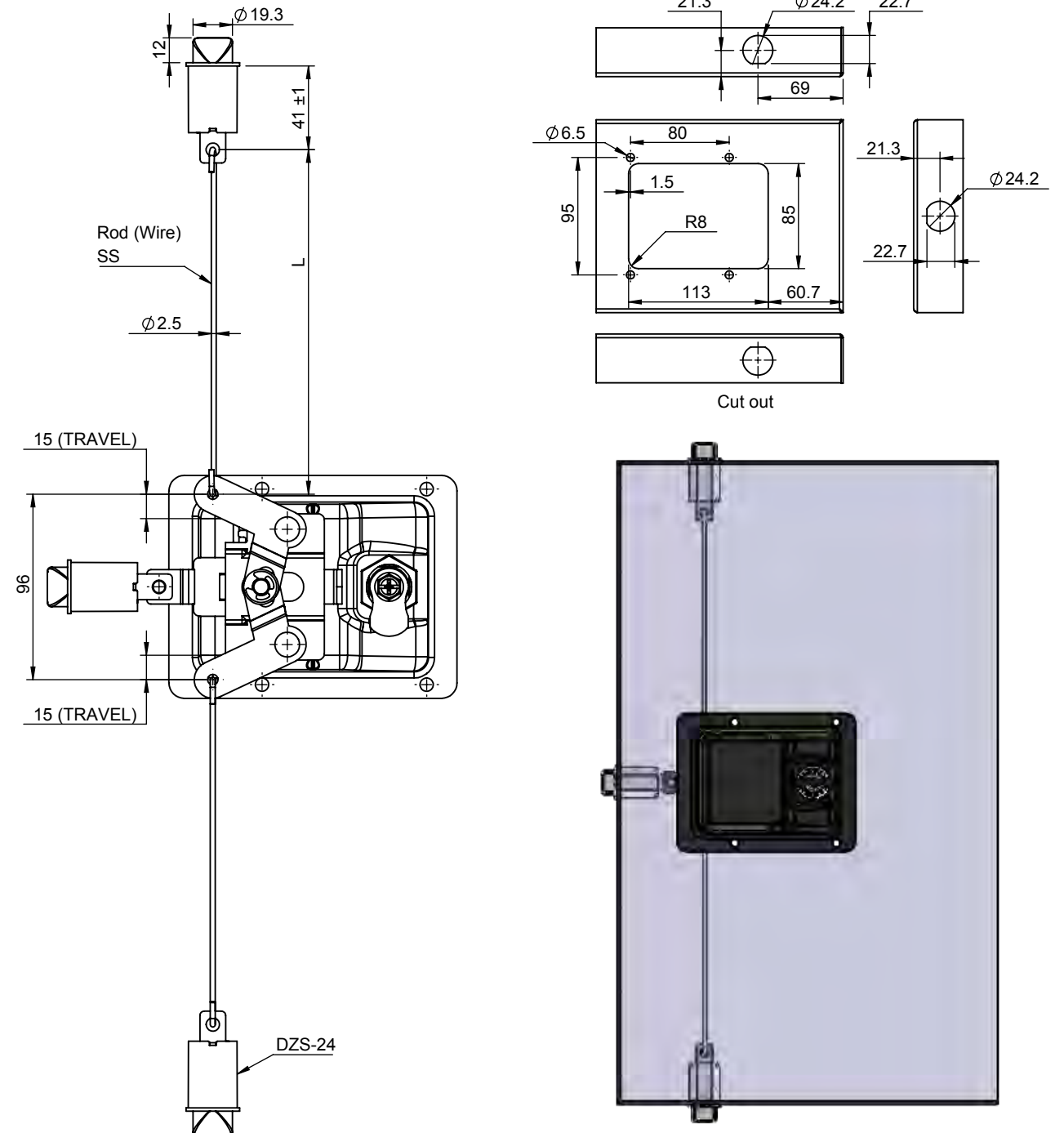
**D3SFPL-140-96-SW6-MS-PC**



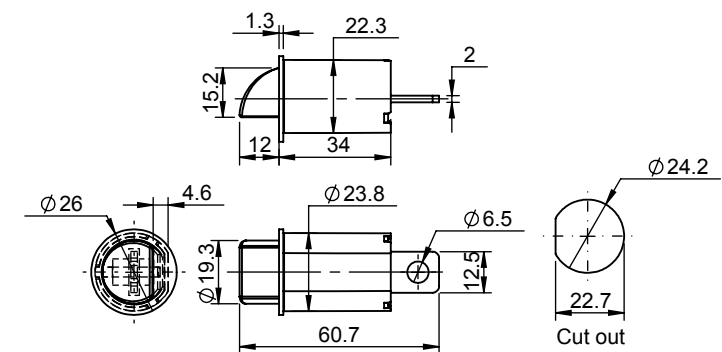
Product Code	Body Material	Finish	Key
<b>D3FPL-140-96-SS</b>	SS-304	Buffed	D-1333-M
<b>D3FPL-140-96-MS-PC</b>	MS	Black PC	D-1333-M
<b>D3FPL-140-96-SW6-MS-PC</b>	MS	Black PC	D-1333-M
<b>D3SFPL-140-96-SW6-MS-PC</b>	MS	Black PC	D-1333-M
<b>DZS-24</b>	Zinc	Blue Zinc	-

# Canopy Locks

## 3 Point Canopy Slam Lock



**DZS-24** | Die Cast



Application View  
**D3FPL-140-96-MS-PC with DZS-24**

# Canopy Locks

## Canopy Lock Accessories



KS1



KS2



KS3



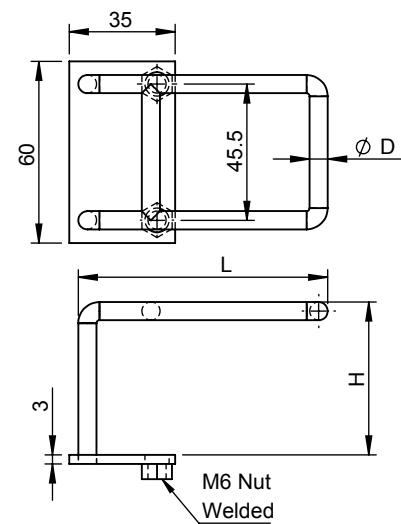
KS4



KS5



KS6



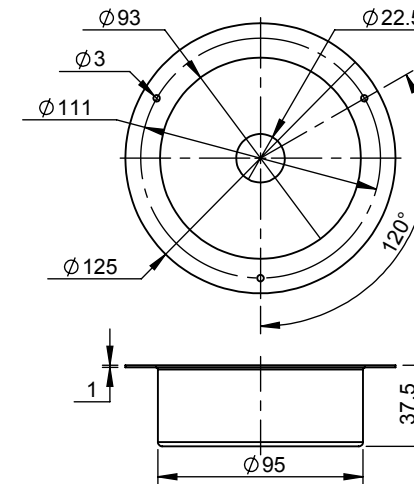
Product Code	Material	Finishing	Length L	Height H	Rod Diameter D
KS1	MS	Green Plating	32	46	Ø6
KS2	MS	Green Plating	83	52	Ø6
KS3	MS	Green Plating	22	47	Ø6
KS4	MS	Green Plating	23	56	Ø6
KS5	MS	Green Plating	48	38	Ø6
KS6	MS	Green Plating	45	46	Ø6
KS8	MS	Green Plating	50	46	Ø6
KS9	MS	Green Plating	22	41	Ø6
KS12	MS	Green Plating	32	39	Ø6
KS14	MS	Green Plating	48	46	Ø6
KS15	MS	Green Plating	63	47	Ø6

# Canopy Locks

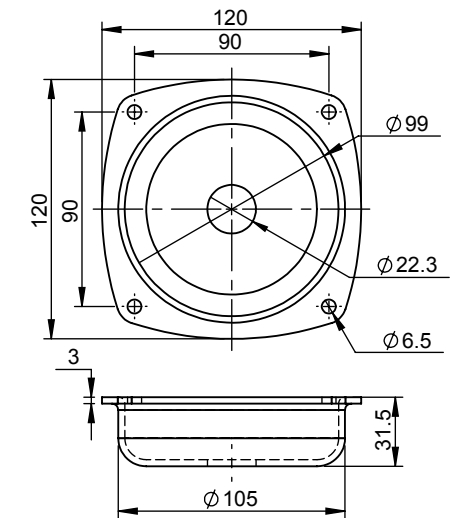
## Canopy Lock Accessories



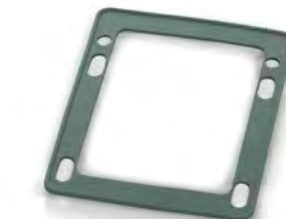
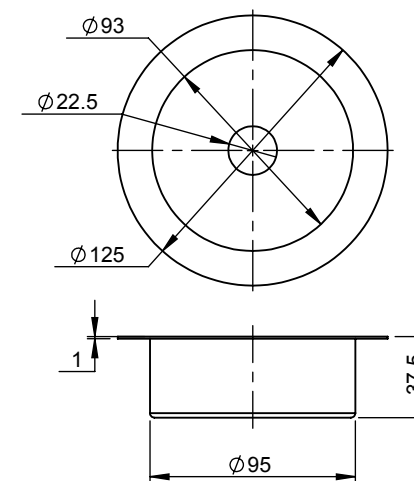
DKC-125-H-PC



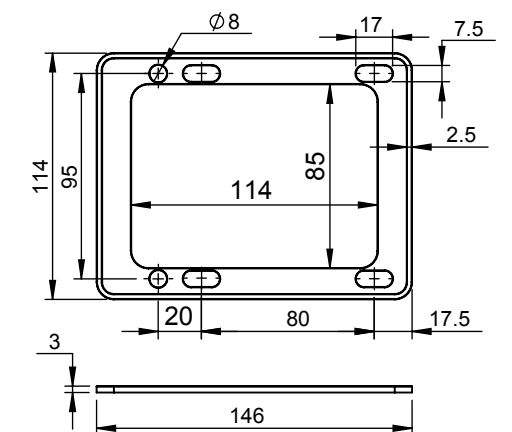
DKC-120-PC



DKC-125 | DKC-125-PC



G1 | Gasket For DFPL-140 Lock



Product Code	Material	Finishing
DKC-125-PC	MS	Black Powder Coating
DKC-125	MS	Yellow Zinc Plating
DKC-125-H-PC	MS	Black Powder Coating
DKC-120-H	MS	Yellow Zinc Plating
DKC-120-H-PC	MS	Black Powder Coating
G1	TPE	